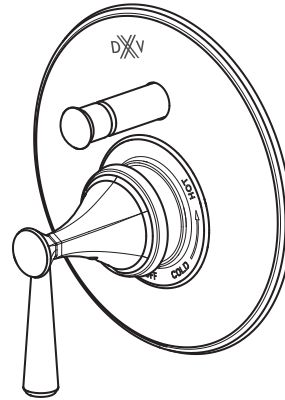


INSTALLATION INSTRUCTIONS



Fitzgerald® Pressure Balance Tub/Shower Diverter Valve Trim Kit

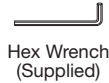
Model D35160600



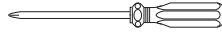
Thank you for selecting DXV. To ensure that your installation proceeds smoothly, please read these instructions carefully before you begin.

RECOMMENDED TOOLS AND MATERIALS

Most of the procedures require the use of common tools and materials, which are available from hardware and plumbing supply stores. It is essential that the tools and materials be on hand before work is begun.



Hex Wrench
(Supplied)



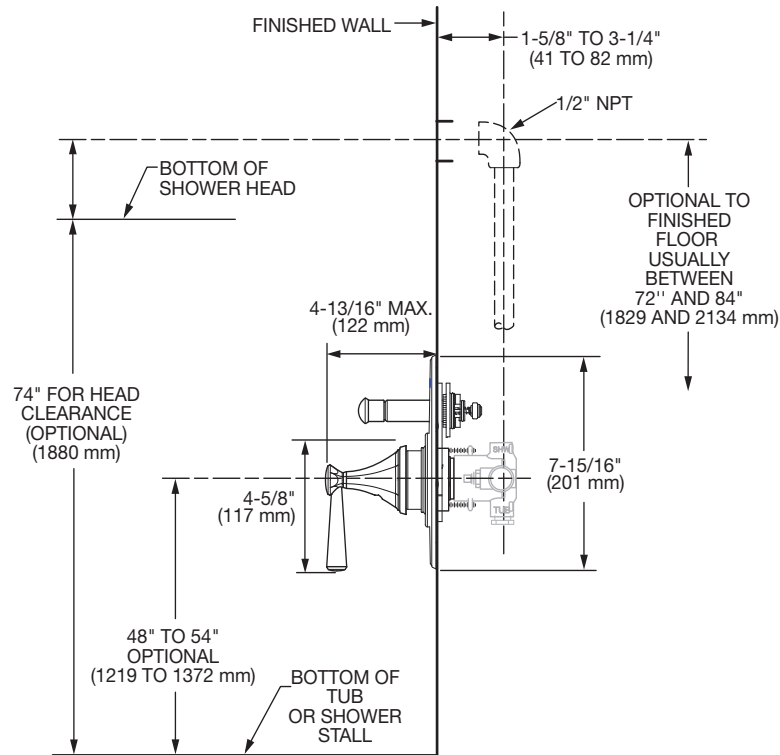
Phillips Screwdriver



Flat Blade Screwdriver

TRIM DIMENSIONS:

- For reference



S A V E F O R F U T U R E U S E

In the United States:

DXV
One Centennial Avenue
Piscataway, New Jersey 08855
Attention: Director of Customer Care

For residents of the United States, warranty information may also be obtained by calling the following toll free number: (800) 227-2734
www.DXV.com

In Canada:

DXV
5900 Avebury Road
Mississauga, Ontario
L5R 3M3
Canada

Toll Free: 1-800-387-0369
Local: 905-306-1093
Fax: 1-800-395-1498
www.DXV.ca

In Mexico:

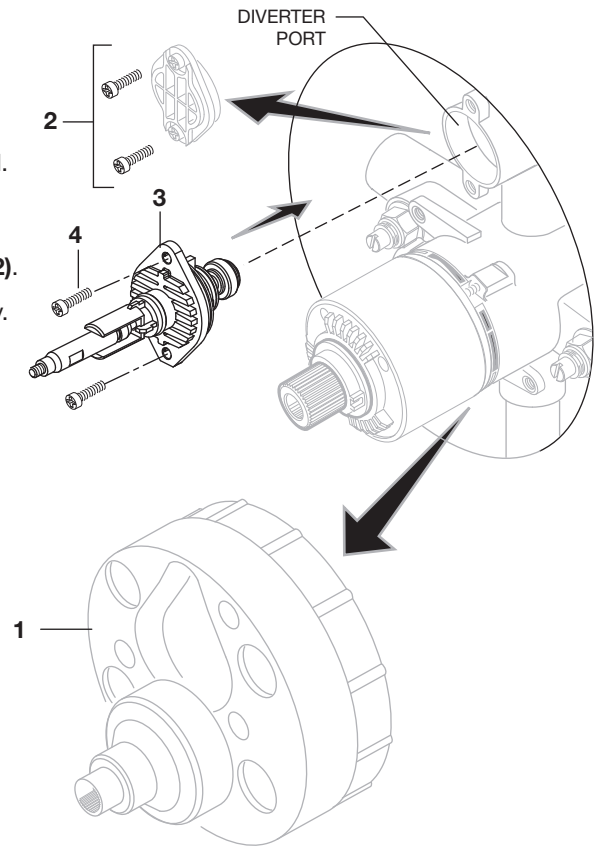
DXV
Via Morelos 330
Col. Santa Clara Coatitla
Ecatepec, Estado de México 55540

Toll Free: 01-800-8391200
www.DXV.mx

1 INSTALL DIVERTER

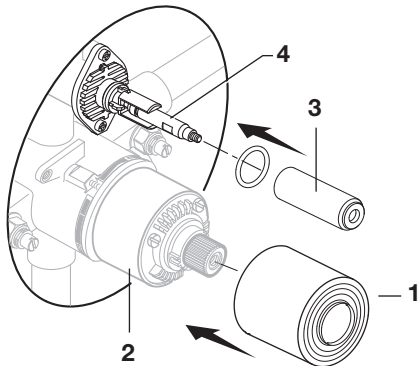
CAUTION Turn off hot and cold water supplies before beginning.

- When finished tiling the wall, remove PLASTER GUARD (1). Remove two screws that secure the DIVERTER LID (2) and remove Lid. Inspect the inside surface of diverter port. Diverter port must be free of any dirt. Clean if necessary.
- Install DIVERTER (3) with SCREWS (4) removed from DIVERTER LID (2).
- Operate DIVERTER (3). DIVERTER (3) should slide in and out smoothly.



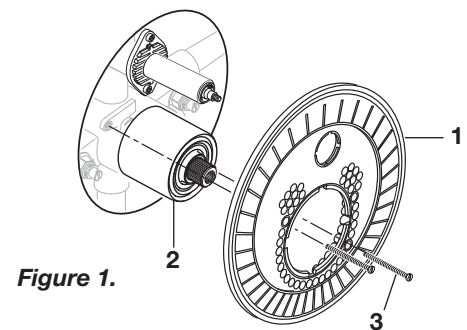
2 INSTALL DIVERTER COVER AND VALVE COVER

- Push CAP (1) over VALVE CARTRIDGE (2) until seated against stop. Push CAP (3) over DIVERTER (4) until seated against stop.



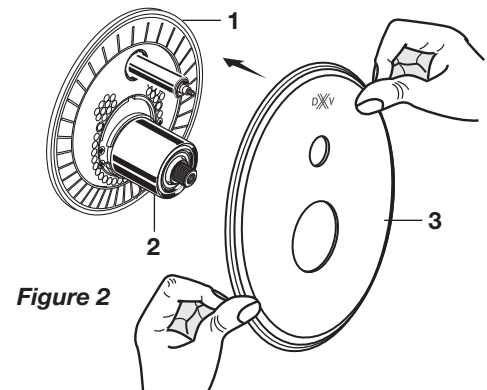
3a INSTALL TRIM

- **Figure 1.** Push ESCUTCHEON HOLDER (1) onto CAP (2) and attach to valve body with SCREWS (3).



3b

- **Figure 2.** Install ESCUTCHEON (3) onto CAP (2) and push flush against finished wall. ESCUTCHEON (3) will snap fit onto ESCUTCHEON HOLDER (1).



- 3c**
- **Figure 3.** Thread DIVERTER KNOB (1) onto diverter stem.
 - Install HANDLE ADAPTER (2) onto VALVE STEM (3) and secure with SCREW (4).
 - Align LEVER HANDLE (5) so lever is facing down and tighten SET SCREW (6) with hex wrench to secure LEVER HANDLE (5).

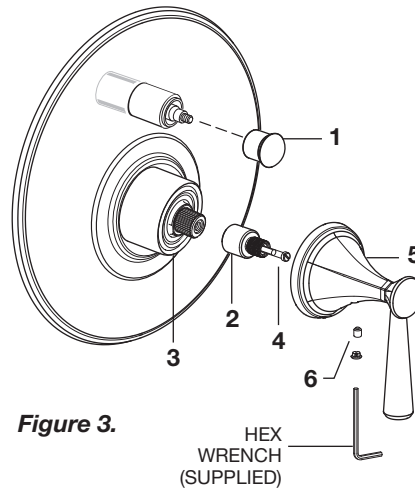


Figure 3.

4 TEST INSTALLED FAUCET

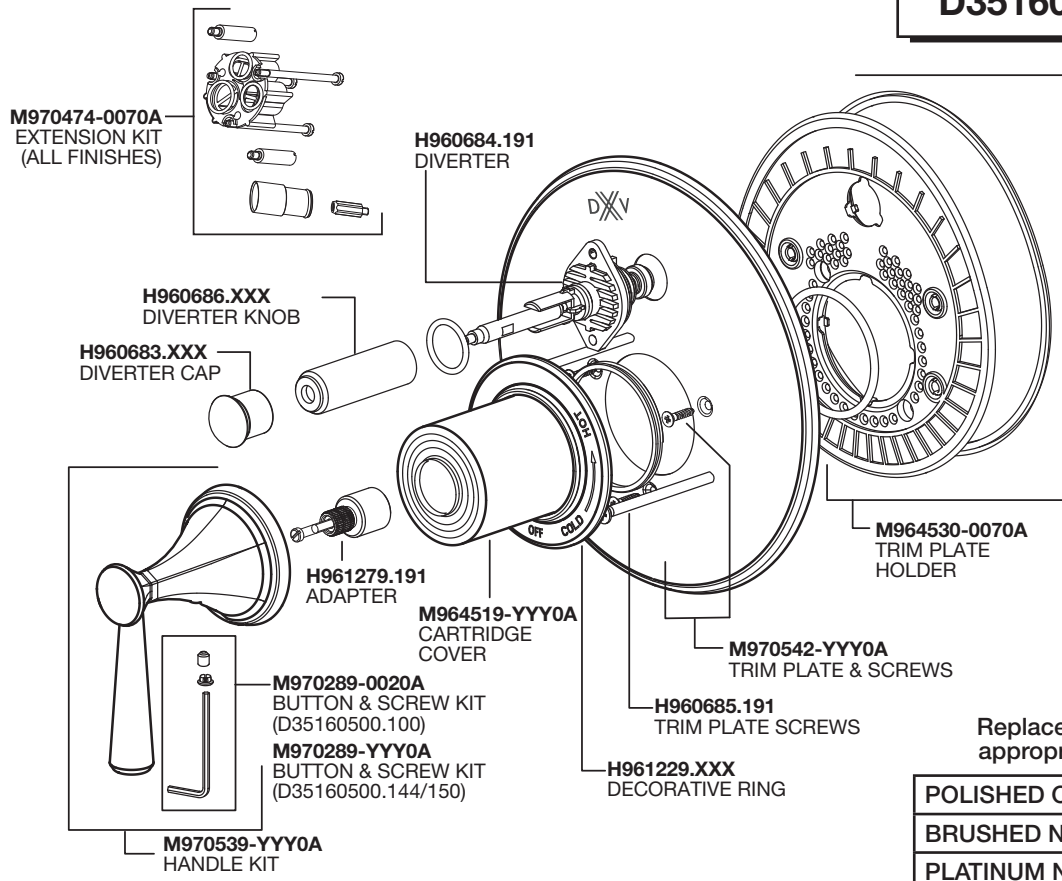
- Turn VALVE “off”.
- With HANDLE in “off” position, turn on water supplies and check all connections for leaks.
- Operate HANDLE and flush water lines thoroughly. Pull DIVERTER and check SHOWER for proper operation.
- Check SPOUT and SHOWER connections for leaks.



Fitzgerald®
Pressure Balanced Tub/Shower
Diverter Valve Trim Kit

MODEL NUMBER

D35160600



Replace the “YYY” with appropriate finish code

| | |
|-----------------|-----|
| POLISHED CHROME | 100 |
| BRUSHED NICKEL | 144 |
| PLATINUM NICKEL | 150 |