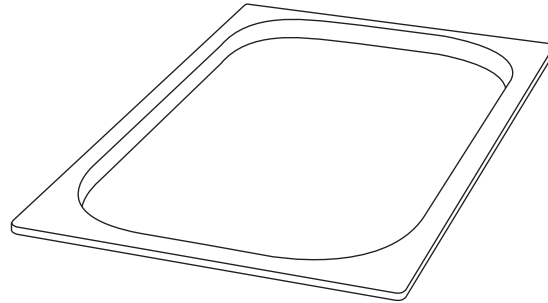


INSTALLATION INSTRUCTIONS



DXV Modulus™ Vanity Tray

Model D1906000 Series



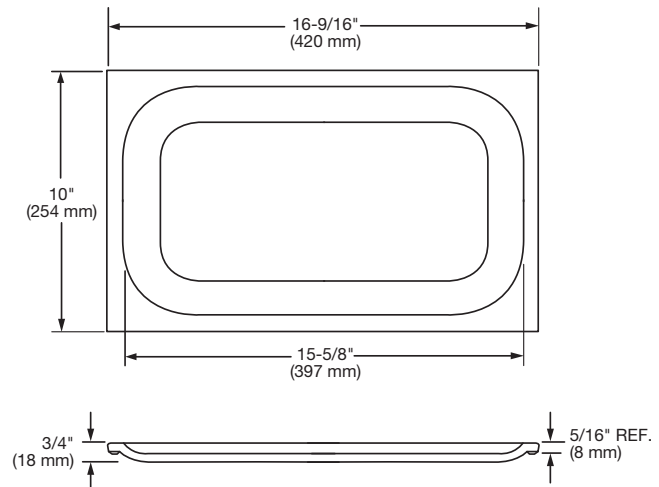
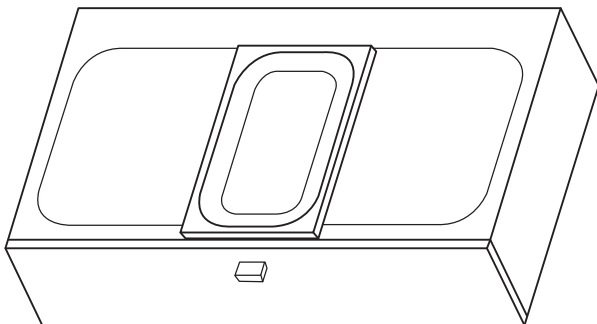
Thank you for selecting DXV. To ensure that your installation proceeds smoothly, please read these instructions carefully before you begin.

⚠ CAUTION: Product is Fragile. To avoid breakage and possible injury handle with care!

- Carefully unpack vanity tray.
Note: Do not allow corners of tray to contact hard or rough surfaces where they could chip.
- Tray can be placed on furniture drawers that have a slight concave surface to them similar to the bottom side of the tray.
- Ensure the tray stays within this concave surface area of the drawer as this will keep the tray from moving around.

ROUGHING-IN DIMENSIONS:

- For reference



In the United States:

DXV
One Centennial Avenue
Piscataway, New Jersey 08855
Attention: Director of Customer Care

For residents of the United States, warranty information may also be obtained by calling the following toll free number: (800) 227-2734
www.DXV.com

In Canada:

DXV
5900 Avebury Road
Mississauga, Ontario
L5R 3M3
Canada

Toll Free: 1-800-387-0369
Local: 905-306-1093
Fax: 1-800-395-1498
www.DXV.ca

In Mexico:

DXV
tVia Morelos 330
Col. Santa Clara Coatitla
Ecatepec, Estado de México 55540

Toll Free: 01-800-8391200
www.DXV.mx

PART OF **LIXIL**

S
A
V
E

F
O
R

F
U
T
U
R
E

U
S
E