



DXV MODULUS™

PRESSURE BALANCE TUB/SHOWER VALVE TRIM WITH DIVERTER



- Cast brass valve with built-in check stops
- Ceramic disc valve cartridge
- Adjustable hot limit safety stop
- Pressure balance cartridge maintains constant output temperature in response to changes in relative hot and cold supply pressures
- Integral diverter
- Concealed mounting hardware

CODES AND STANDARDS

Meets or Exceeds ASME A112.18.1/CSA B125.1/ASSE 1016

AVAILABLE FINISHES

Polished Chrome
Brushed Nickel
Platinum Nickel
Matte Black

FINISH CODE

100
144
150
243

DESCRIPTION

Pressure Balance
Tub/Shower Trim
Tub/Shower Rough Valve
(required component)

PRODUCT NUMBER

D35120600.XXX

D35000600.191

ROUGH-IN DIAGRAM
SHOWN ON NEXT PAGE

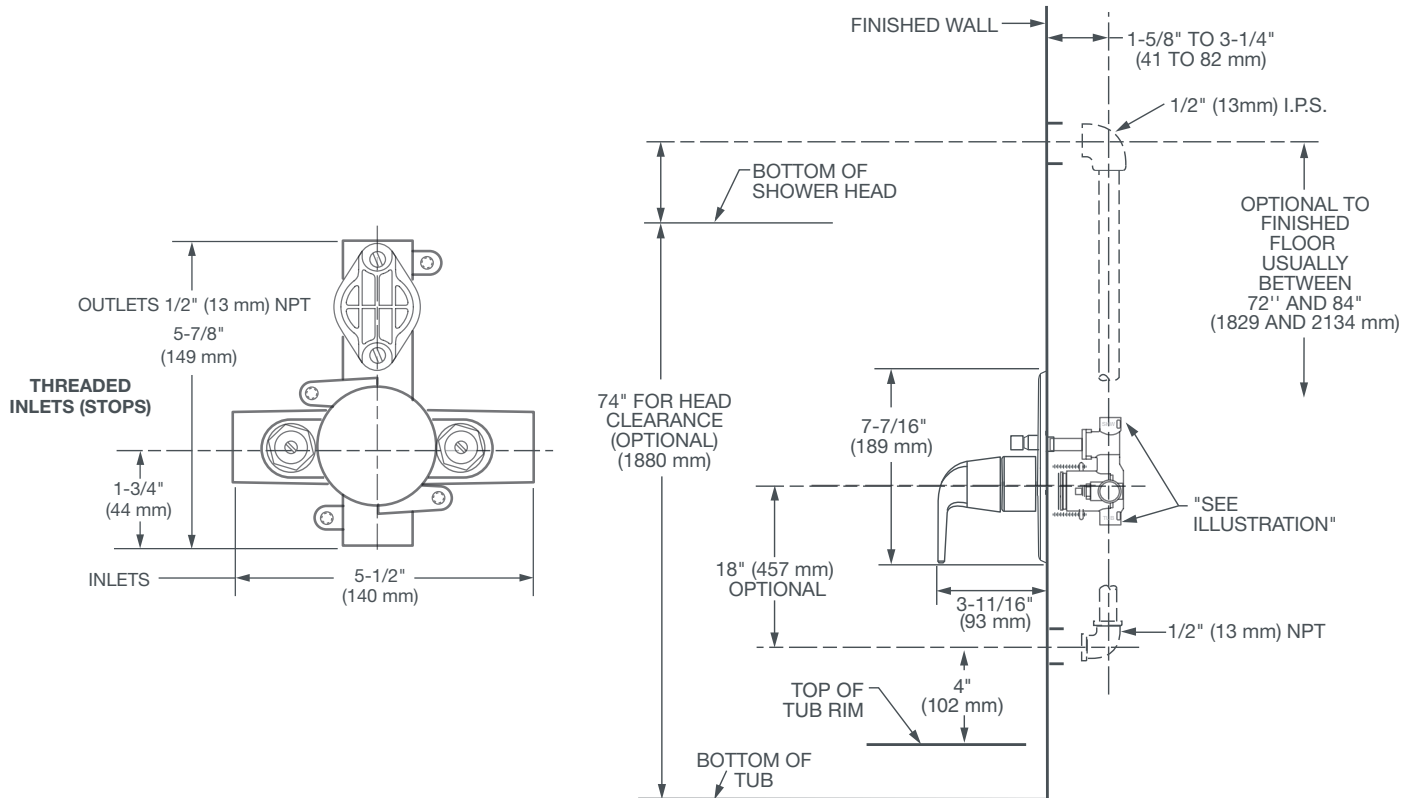


Meets the Americans with Disabilities Act
Guidelines and ANSI A117.1 Requirements
for the physically challenged.



DXV MODULUS™

PRESSURE BALANCE TUB/SHOWER VALVE TRIM WITH DIVERTER



IMPORTANT: These measurements are subject to change or cancellation. No responsibility is assumed for use of superseded or voided pages.

PART OF **LIXIL**