

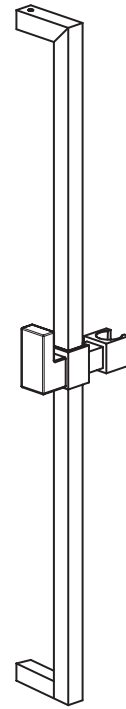
INSTALLATION INSTRUCTIONS

Square Slide Bar Model D35700.430

*Thank you for selecting DXV by American Standard.
To ensure that your installation proceeds smoothly,
please read these instructions carefully
before you begin.*



AMERICAN STANDARD



S
A
V
E

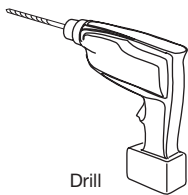
F
O
R

F
U
T
U
R
E

U
S
E

RECOMMENDED TOOLS AND MATERIALS

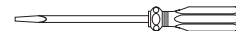
Most of the procedures require the use of common tools and materials, which are available from hardware and plumbing, supply stores. It is essential that the tools and materials be on hand before work is begun.



Drill



Phillips Screwdriver



Regular Screwdriver



Hammer



Level



Tape Measure

In the United States:

DXV by American Standard
One Centennial Avenue
Piscataway, New Jersey 08855
Attention: Director of Customer Care

For residents of the United States, warranty information may also be obtained by calling the following toll free number: (800) 227-2734
www.DXV.com

In Canada:

DXV by American Standard
5900 Avebury Road
Mississauga, Ontario
L5R 3M3
Canada

Toll Free: 1-800-387-0369
Local: 905-306-1093
Fax: 1-800-395-1498
www.DXV.ca

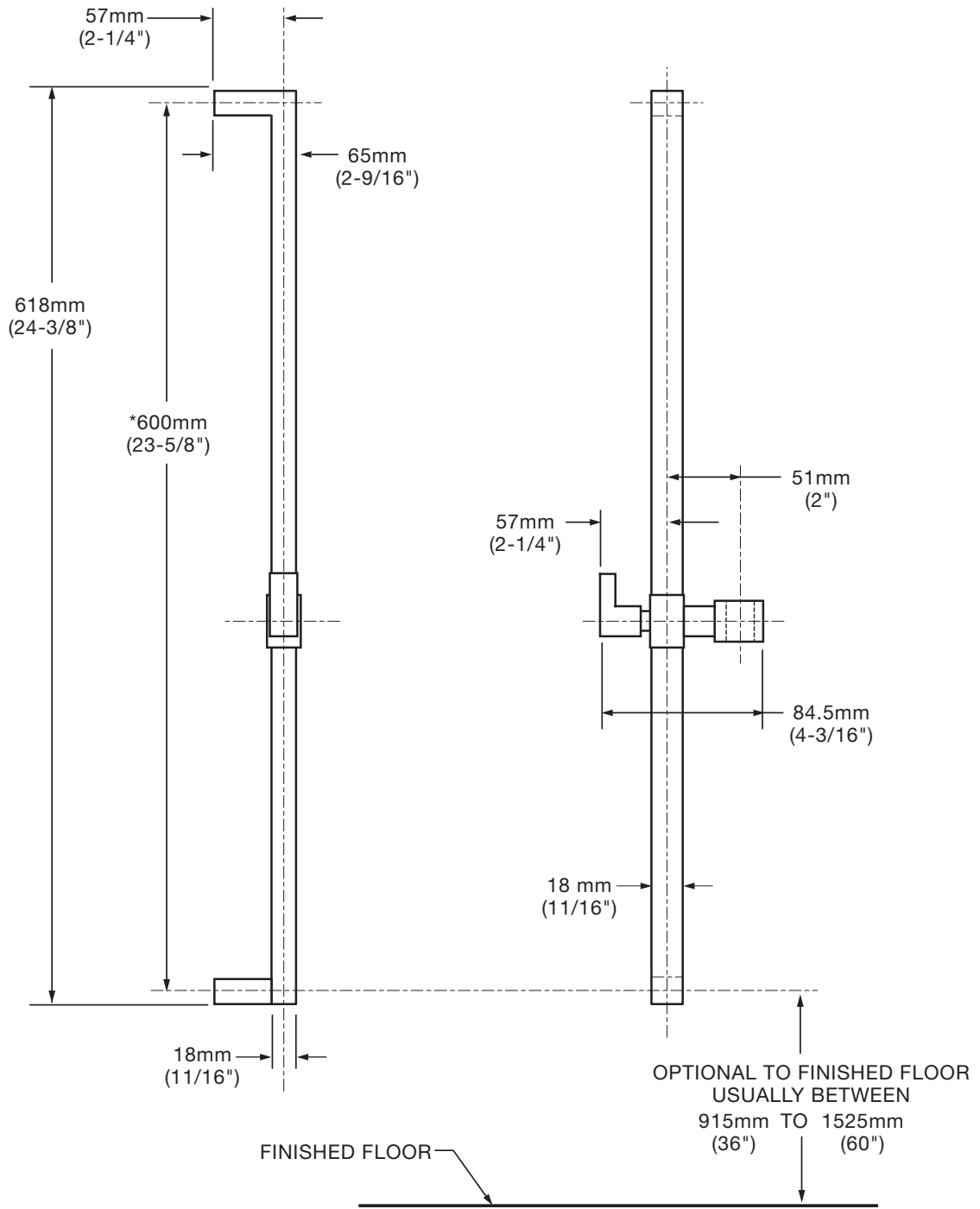
In Mexico:

DXV by American Standard
Via Morelos 330
Col. Santa Clara Coatitla
Ecatepec, Estado de México 55540

Toll Free: 01-800-8391200
www.DXV.mx

ROUGHING-IN DIMENSIONS:

- For reference



***FROM CENTER TO CENTER OF MOUNTING BRACKETS**
***NOTE: MEASUREMENT IS APPROXIMATE ONLY,**
PLEASE USE BAR AS TEMPLATE FOR ACTUAL
CENTER TO CENTER MEASUREMENTS.

1 INSTALL ADJUSTABLE SLIDE BAR

- The SLIDE BAR (1) works best when secured to the wall studs or cross brace using the WOOD SCREWS. If mounting into the studs is not possible, use appropriate wall fasteners provided to secure the installation.
- Mark a vertical center line in the location you wish to install the SLIDE BAR (1). **NOTE: The height from the finished floor is optional. See rough-in drawing for suggested dimensions.**
- Determine desired height from the finished floor to the lower support and mark a horizontal center line. Measure up *600mm (23-5/8") and mark another horizontal center line. This is the location of the two mounting holes.
- Using 15/64" diameter drill. Drill two mounting holes 1-1/4" max. deep. **Fig. A.**
- Install the two ANCHORS (2) provided into the mounting holes. Use a hammer to lightly tap ANCHORS (2) into place. Make sure they are installed flush against the finished wall. **Fig. B.**
- Place the MOUNTING BRACKETS (3) over the ANCHORS (2) and secure the MOUNTING BRACKETS (3) with the SCREWS (4) provided. **Fig. B.**
- Align and install the SLIDE BAR (1) onto the MOUNTING BRACKETS (3). **Fig. B.**
- Hold SLIDE BAR (1) against finished wall. Tighten the two SET SCREWS (6) with the HEX WRENCH (7) supplied. **Fig. B.**
- Check operation of HAND SHOWER HOLDER (9) by rotating KNOB (8) and moving HAND SHOWER HOLDER (9) up and down. Rotate KNOB (8) back to lock HAND SHOWER HOLDER (9). **Fig. B.** Rotate SHOWER HOLDER (5) to desired position. **Fig. B.**

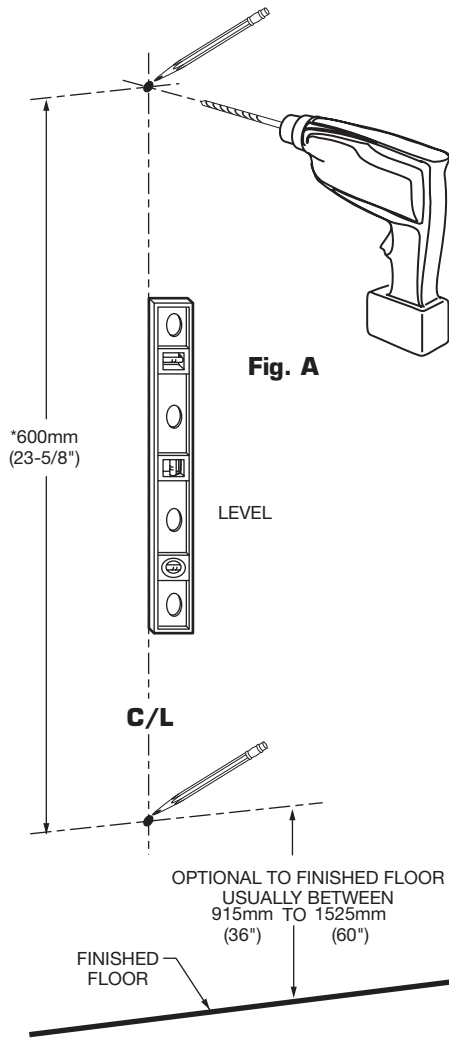


Fig. A

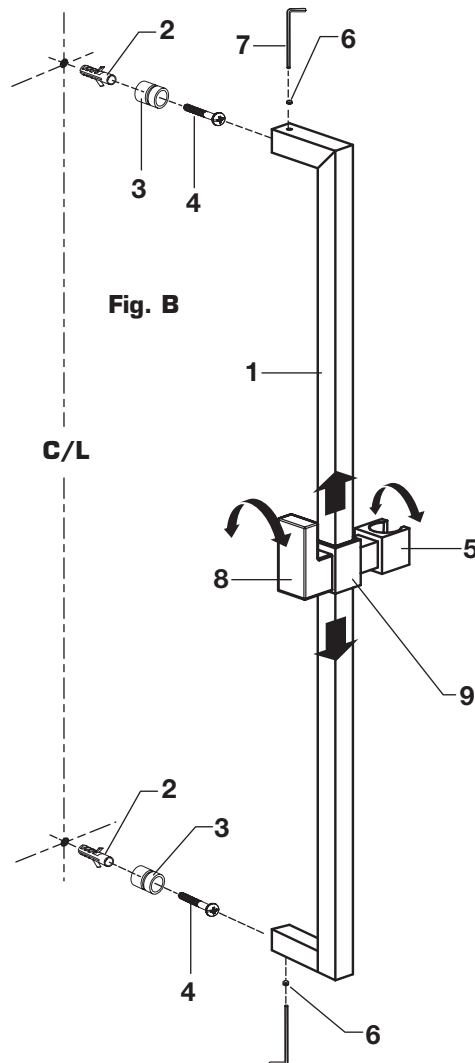


Fig. B

***FROM CENTER TO CENTER OF MOUNTING BRACKETS**
***NOTE: MEASUREMENT IS APPROXIMATE ONLY,**
PLEASE USE BAR AS TEMPLATE FOR ACTUAL
CENTER TO CENTER MEASUREMENTS.



AMERICAN STANDARD

Square Slide Bar

MODEL NUMBER

D35700.430

Replace the "YYY" with appropriate finish code

POLISHED CHROME	100
BRUSHED NICKEL	144

