

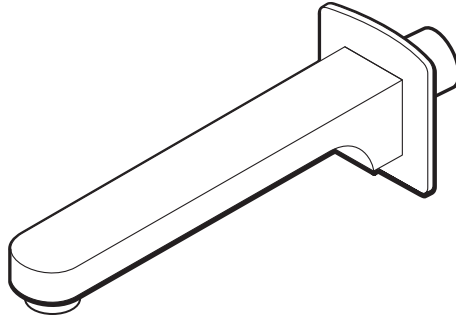
# INSTALLATION INSTRUCTIONS

## Lyndon™ Wall Tub Spout Model D35109760



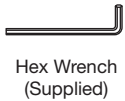
AMERICAN STANDARD

Thank you for selecting DXV by American Standard.  
To ensure that your installation proceeds smoothly,  
please read these instructions carefully  
before you begin.

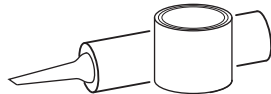


### RECOMMENDED TOOLS AND MATERIALS

Most of the procedures require the use of common tools and materials, which are available from hardware and plumbing supply stores. It is essential that the tools and materials be on hand before work is begun.



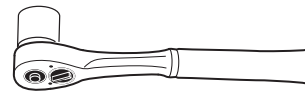
Hex Wrench  
(Supplied)



Plumbers' Putty or Caulking



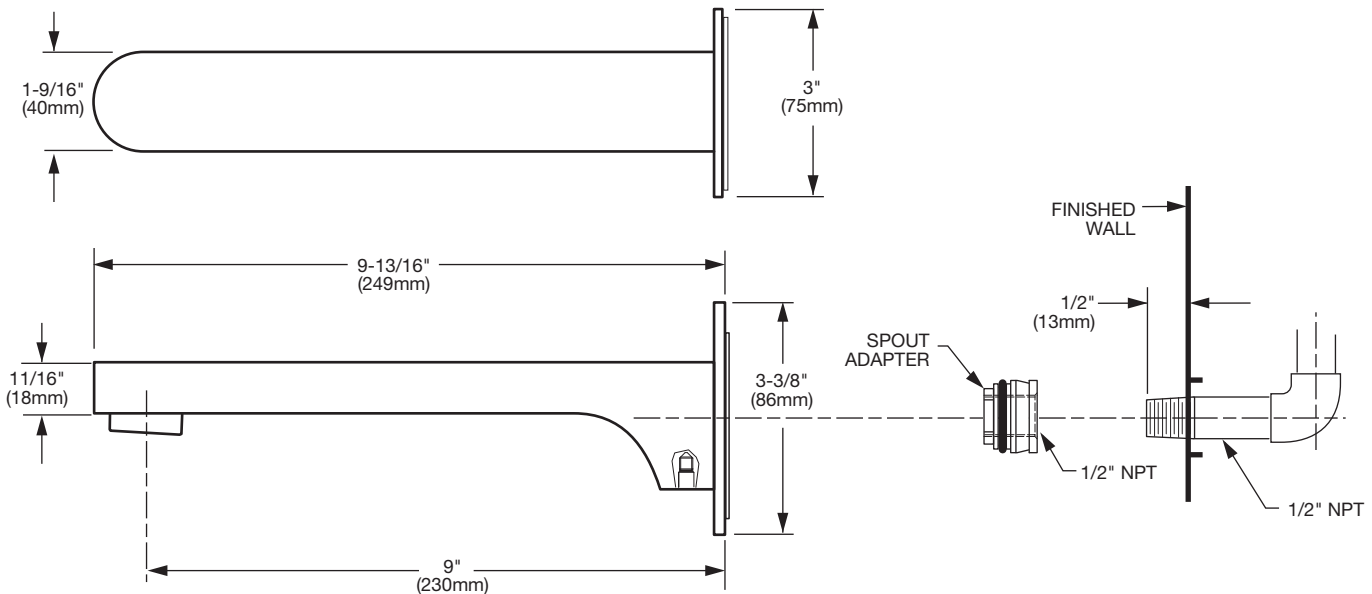
Sealing Tape



15/16" Socket Wrench

### ROUGHING-IN DIMENSIONS:

- For reference



#### In the United States:

DXV by American Standard  
One Centennial Avenue  
Piscataway, New Jersey 08855  
Attention: Director of Customer Care

For residents of the United States, warranty information may also be obtained by calling the following toll free number: (800) 227-2734  
[www.DXV.com](http://www.DXV.com)

#### In Canada:

DXV by American Standard  
5900 Avebury Road  
Mississauga, Ontario  
L5R 3M3  
Canada

Toll Free: 1-800-387-0369  
Local: 905-306-1093  
Fax: 1-800-395-1498  
[www.DXV.ca](http://www.DXV.ca)

#### In Mexico:

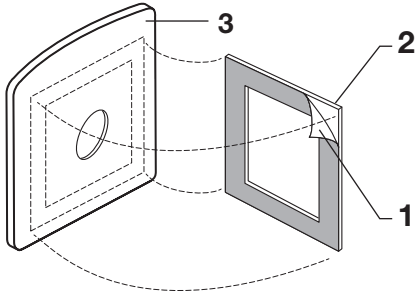
DXV by American Standard  
Via Morelos 330  
Col. Santa Clara Coatitla  
Ecatepec, Estado de México 55540

Toll Free: 01-800-8391200  
[www.DXV.mx](http://www.DXV.mx)

SAVE FOR FUTURE USE

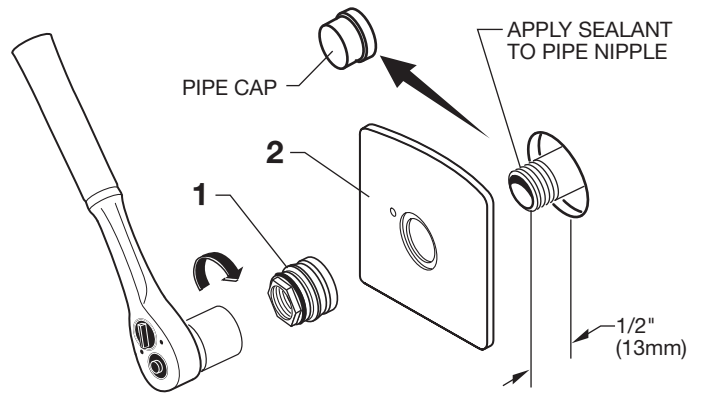
### 1 INSTALL SEAL TO SPOUT ESCUTCHEON

- Remove BACKING (1) from ADHESIVE GASKET (2). Apply GASKET (2) to back of SPOUT ESCUTCHEON (3).



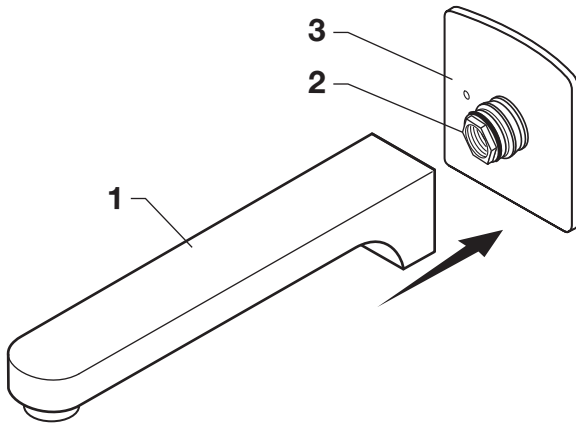
### 2 INSTALL SPOUT ADAPTER

- Remove PIPE CAP. Apply sealing tape to pipe nipple. With a 15-16" socket wrench, thread SPOUT ADAPTER (1) onto pipe nipple until SPOUT ESCUTCHEON (2) is tight against finished wall.



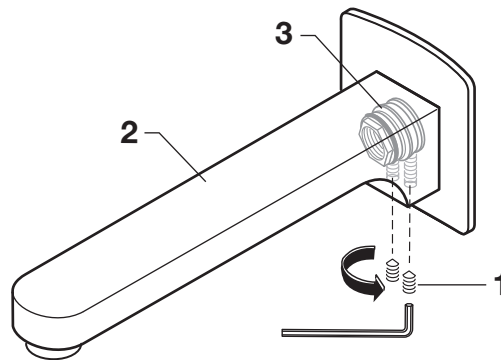
### 3 INSTALL SPOUT

- Push TUB FILLER SPOUT (1) onto SPOUT ADAPTER (2) flush against SPOUT ESCUTCHEON (3).



### 4 SECURE SPOUT

- Align TUB FILLER SPOUT (2). Tighten the two SET SCREWS (1) to secure TUB FILLER SPOUT (2) to SPOUT ADAPTER (3).



AMERICAN STANDARD

M964837-YYY0A  
SPOUT ESCUTCHEON KIT

M964838-0070A  
SPOUT ADAPTER

M964836-0070A  
SET SCREW KIT

M964839-0070A  
AERATOR AND KEY

Lyndon™  
Wall Tub Spout

MODEL NUMBER

**D35109760**

Replace the "YYY" with appropriate finish code

POLISHED CHROME	100
BRUSHED NICKEL	144