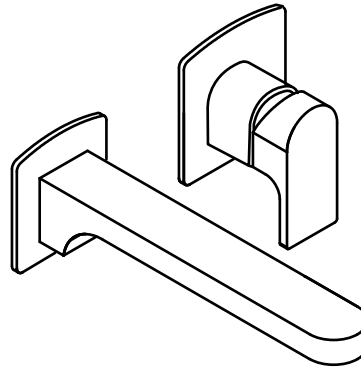


INSTALLATION INSTRUCTIONS

Lyndon™ Single Lever Wall-Mount Faucet Model D35109400



AMERICAN STANDARD



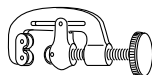
Thank you for selecting DXV by American Standard.
To ensure that your installation proceeds smoothly,
please read these instructions carefully
before you begin.

RECOMMENDED TOOLS AND MATERIALS

Most of the procedures require the use of common tools and materials, which are available from hardware and plumbing, supply stores. It is essential that the tools and materials be on hand before work is begun.



Channel Locks



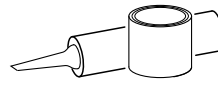
Tubing Cutter



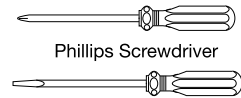
Adjustable Wrench



Teflon Tape



Plumbers' Putty or Caulking

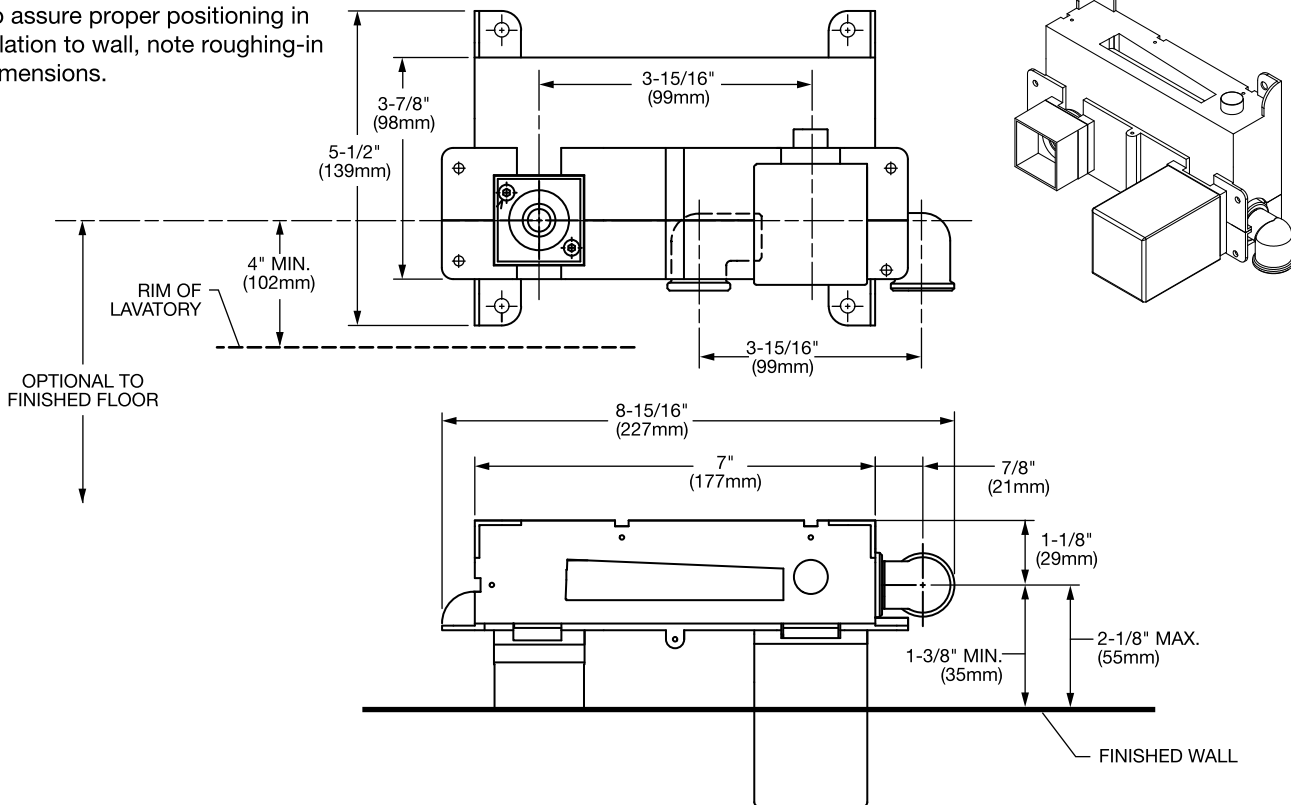


Phillips Screwdriver

Regular Screwdriver

ROUGHING-IN DIMENSIONS:

- To assure proper positioning in relation to wall, note roughing-in dimensions.



USE FOR FUTURE SAVE

In the United States:

DXV by American Standard
One Centennial Avenue
Piscataway, New Jersey 08855
Attention: Director of Customer Care

For residents of the United States, warranty information may also be obtained by calling the following toll free number: (800) 227-2734
www.DXV.com

In Canada:

DXV by American Standard
5900 Avebury Road
Mississauga, Ontario
L5R 3M3
Canada

Toll Free: 1-800-387-0369
Local: 905-306-1093
Fax: 1-800-395-1498
www.DXV.ca

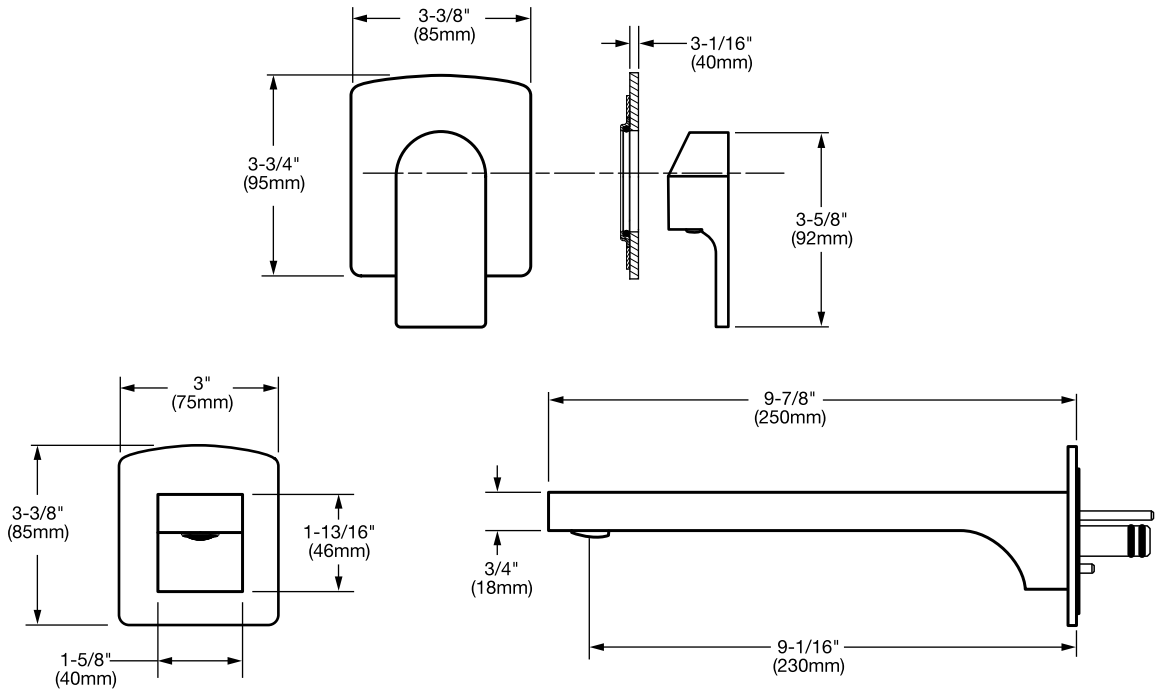
In Mexico:

DXV by American Standard
Via Morelos 330
Col. Santa Clara Coatitla
Ecatepec, Estado de México 55540

Toll Free: 01-800-8391200
www.DXV.mx

ROUGHING-IN DIMENSIONS:

- For reference

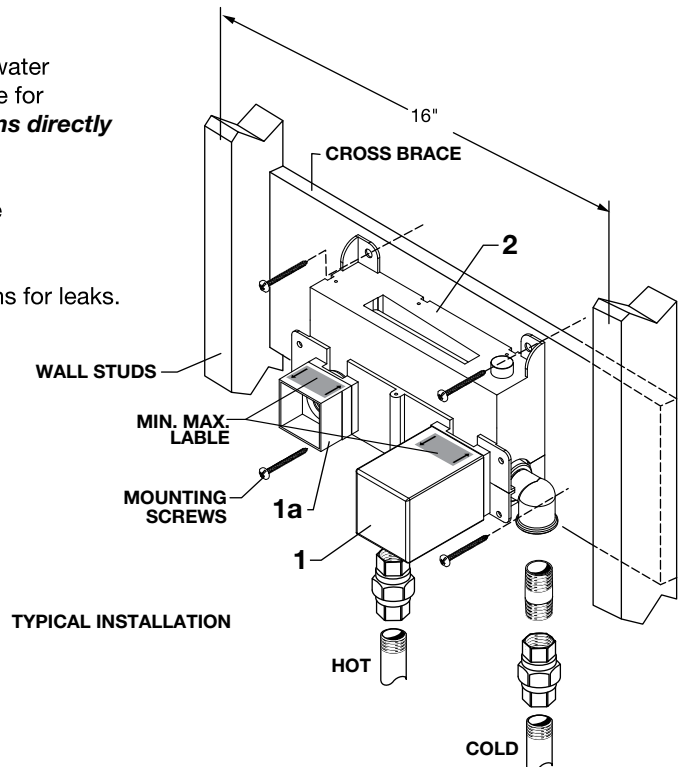


1 INSTALL VALVE BODY

CAUTION

Turn off hot and cold water supplies before beginning.

- Determine where the finished wall location will be. This measurement is very important! Please follow the minimum and maximum distances as indicated on both PLASTER GUARDS (1 & 1a).
- Secure WALL VALVE BOX (2) with mounting screws (not provided) to cross brace of wall structure at determine height.
- Connect HOT water supply to left VALVE inlet and COLD water supply to right VALVE inlet. Use pipe sealant or Teflon tape for all threaded connections. **Do not make sweat connections directly to valve body.**
- Pull off PLASTER GUARD (1) and make sure valve is in the down "off" position.
- Turn hot and cold supplies on and check fitting connections for leaks.
- Replace PLASTER GUARD (1).
- Complete all wall construction.



TYPICAL INSTALLATION

2 INSTALL WALL SPOUT

- Remove the two PLASTER GUARDS (1, 2) if not already removed. Remove BACKING (3) from GASKET SEAL (4) and apply GASKET SEAL (4) to the back of the SPOUT ESCUTCHEON (5). Fig. A
- Align MOUNTING SCREWS (6) and SPOUT ADAPTER (7) and install into SPOUT ESCUTCHEON (8). Fig. B
- Apply a small amount of grease to O-RINGS (9) on SPOUT ADAPTER (7). Push SPOUT ADAPTER (7) into WALL VALVE (10). Tighten MOUNTING SCREWS (6) with HEX WRENCH (11) supplied. Fig. C
- Align SPOUT PIN (12) at the back of the SPOUT (13) with bottom hole in the SPOUT ESCUTCHEON (8). Tighten two SET SCREWS (14) at the bottom of the SPOUT (13). Fig. D

Fig. A

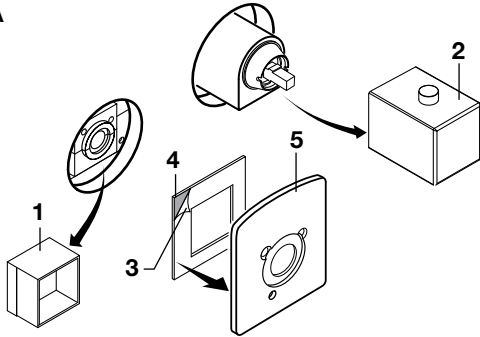


Fig. B

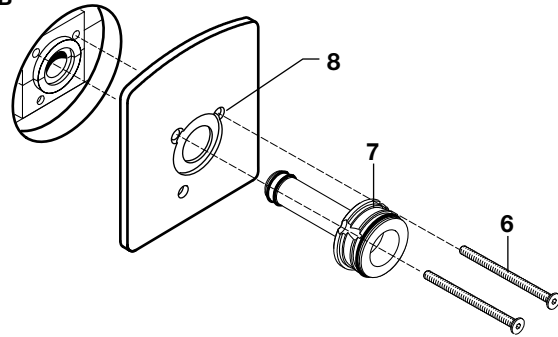


Fig. C

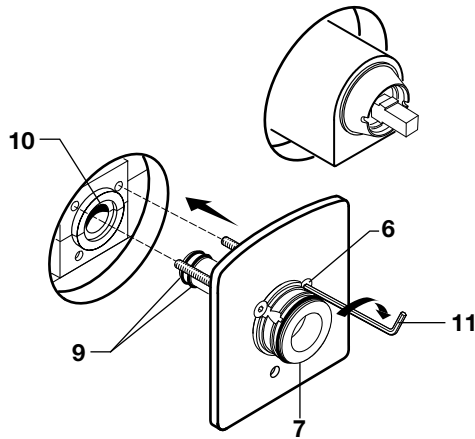
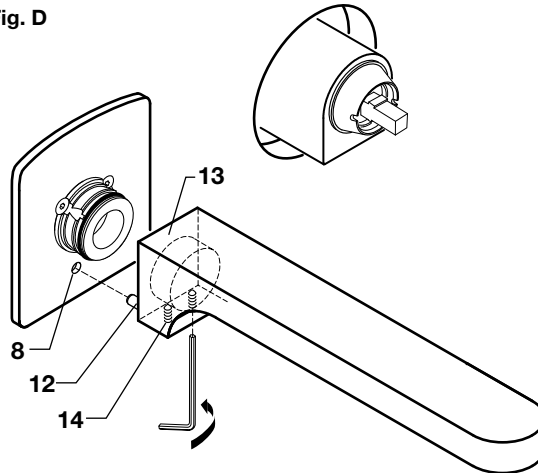
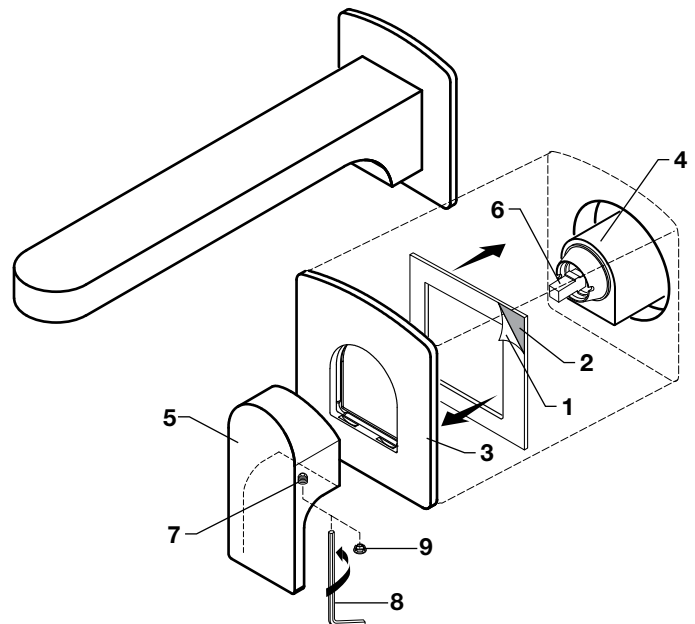


Fig. D



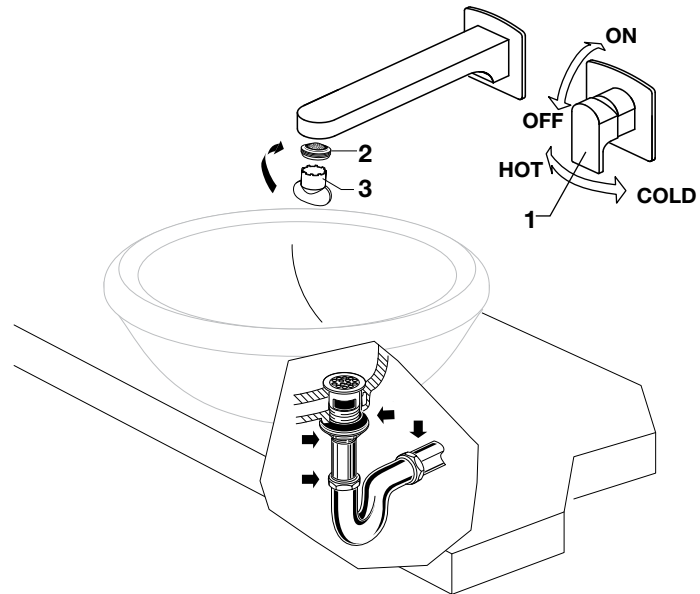
3 INSTALL HANDLE

- Remove BACKING (1) from GASKET SEAL (2) and apply GASKET SEAL (2) to the back of the HANDLE ESCUTCHEON (3).
- Push HANDLE ESCUTCHEON (3) over HANDLE BASE (4) until flush against finished wall.
- Install HANDLE (5) onto VALVE STEM (6) and tighten SET SCREW (7) with 2.5mm HEX WRENCH (8) supplied.
- Install PLUG BUTTON (9).



4 TEST INSTALLED FAUCET

- Turn HANDLE (1) to "off" position.
- Remove AERATOR (2) using the KEY (3).
- Turn hot and cold water supplies on. Operate HANDLE (1) to flush water lines thoroughly. Check spout connections for leaks. ➡
- Check all drain connections for leaks. ➡
- Turn HANDLE (1) to OFF position. Replace AERATOR (2).



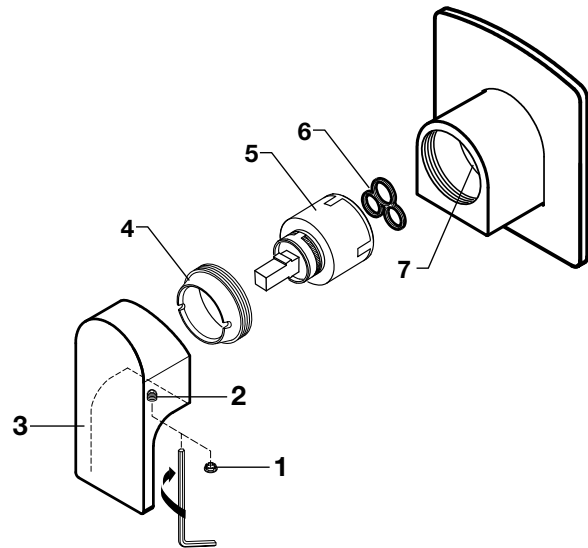
5 SERVICE CAUTION

Turn off hot and cold water supplies before beginning.

To clean or replace CARTRIDGE:

- Turn valve to OFF position.
- Pull out PLUG BUTTON (1) and loosen HANDLE SCREW (2).
- Pull off HANDLE (3).
- Unthread CARTRIDGE NUT (4) and remove.
- Pull out CARTRIDGE (5).
- Inspect CARTRIDGE (5) and O-RINGS (6) for debris and clean if necessary.
- Clean MANIFOLD (7) and rinse clean.
- Reinstall CARTRIDGE (5) and O-RINGS (6) onto MANIFOLD (7).
- Reinstall CARTRIDGE NUT (4) and HANDLE ASSEMBLY (3).

If spout drips, operate handle several times from OFF to ON and HOT to COLD position. Do not force - handle.

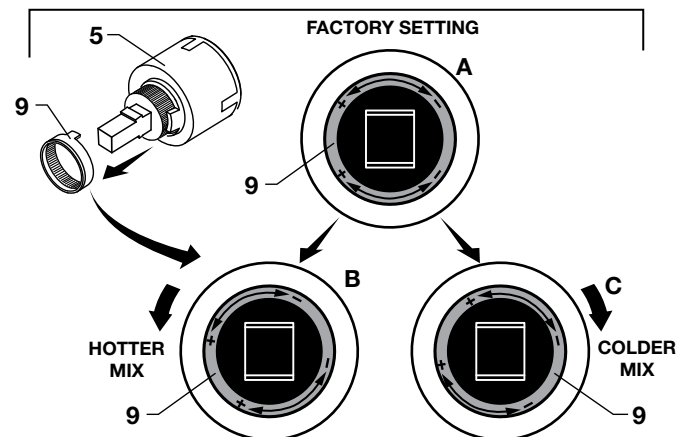


ADJUST HOT LIMIT SAFETY STOP

By restricting HANDLE rotation and limiting the amount of hot water allowed to mix with the cold, the HOT LIMIT SAFETY STOP (9) reduces risk of accidental scalding. To lower the maximum hot water temperature of your faucet, all you need to do is adjust the setting on the HOT LIMIT SAFETY STOP (9). Note: The HOT LIMIT SAFETY STOP (9) is set at the maximum hot temperature setting from the factory. **Fig. A.**

To adjust HOT LIMIT SAFETY STOP:

- Remove HANDLE ASSEMBLY (3) and CARTRIDGE NUT (4).
- Pull out CARTRIDGE (5).
- Pull off the HOT LIMIT SAFETY STOP (9).
- Rotate the HOT LIMIT SAFETY STOP (9) counter-clockwise for a hotter mix or clockwise for a colder mix. Replace the HOT LIMIT SAFETY STOP (9). **Fig. B & C.**
- Reinstall CARTRIDGE (5), CARTRIDGE NUT (4) and HANDLE ASSEMBLY (3).



6 CARE INSTRUCTIONS:

DO: SIMPLY RINSE THE PRODUCT CLEAN WITH CLEAR WATER. DRY WITH A SOFT COTTON FLANNEL CLOTH.

DO NOT: DO NOT CLEAN THE PRODUCT WITH SOAPS, ACID, POLISH, ABRASIVES, HARSH CLEANERS, OR A CLOTH WITH A COARSE SURFACE.



AMERICAN STANDARD

Lyndon™ Single Lever Wall-Mount Faucet

MODEL NUMBER

D35109400

Replace the "YYY" with appropriate finish code

POLISHED CHROME	100
BRUSHED NICKEL	144

