

# INSTALLATION INSTRUCTIONS

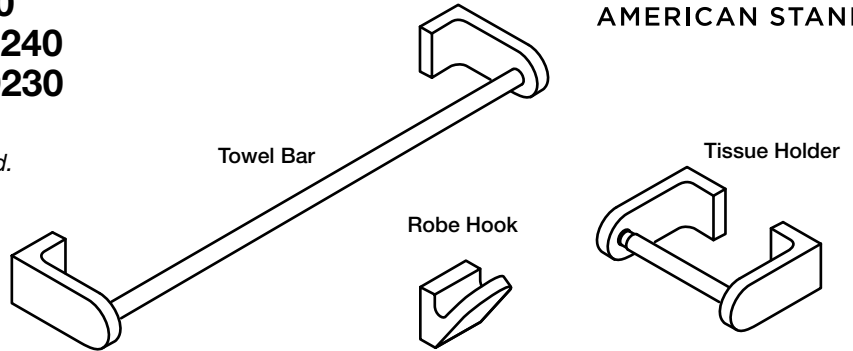


AMERICAN STANDARD

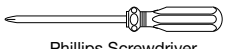
## Lyndon™ Wall Mounted Accessories

**Robe Hook – Model D35109210**  
**Towel Bar 24" – Model D35109240**  
**Tissue Holder – Model D35109230**

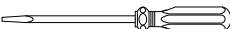
Thank you for selecting DXV by American Standard.  
 To ensure that your installation proceeds smoothly,  
 please read these instructions carefully before  
 you begin.



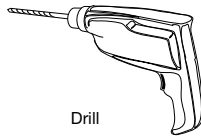
### RECOMMENDED TOOLS AND MATERIALS



Phillips Screwdriver



Regular Screwdriver



Drill



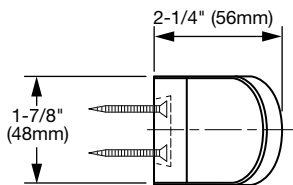
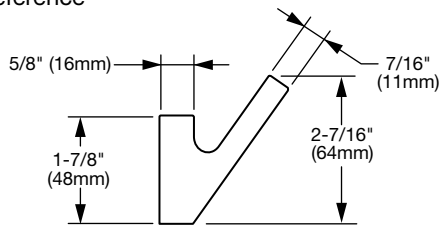
Tape Measure



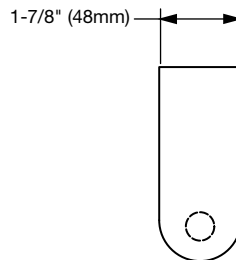
Level

### ROUGHING-IN DIMENSIONS:

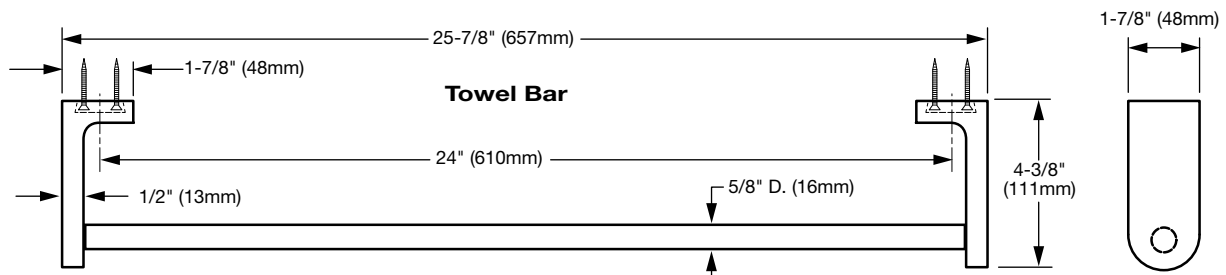
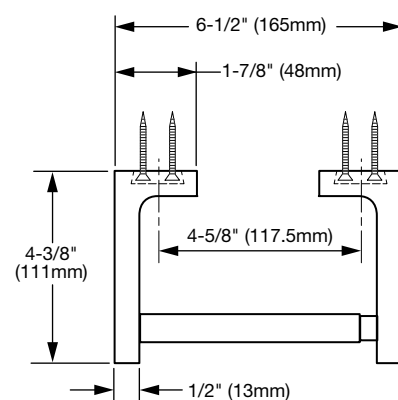
• For reference



**Robe Hook**



### Tissue Holder



**Towel Bar**

SAVE FOR FUTURE USE

#### In the United States:

DXV by American Standard  
 One Centennial Avenue  
 Piscataway, New Jersey 08855  
 Attention: Director of Customer Care

For residents of the United States, warranty information may also be obtained by calling the following toll free number: (800) 227-2734  
[www.DXV.com](http://www.DXV.com)

#### In Canada:

DXV by American Standard  
 5900 Avebury Road  
 Mississauga, Ontario  
 L5R 3M3  
 Canada

Toll Free: 1-800-387-0369  
 Local: 905-306-1093  
 Fax: 1-800-395-1498  
[www.DXV.ca](http://www.DXV.ca)

#### In Mexico:

DXV by American Standard  
 Via Morelos 330  
 Col. Santa Clara Coatlilla  
 Ecatepec, Estado de México 55540

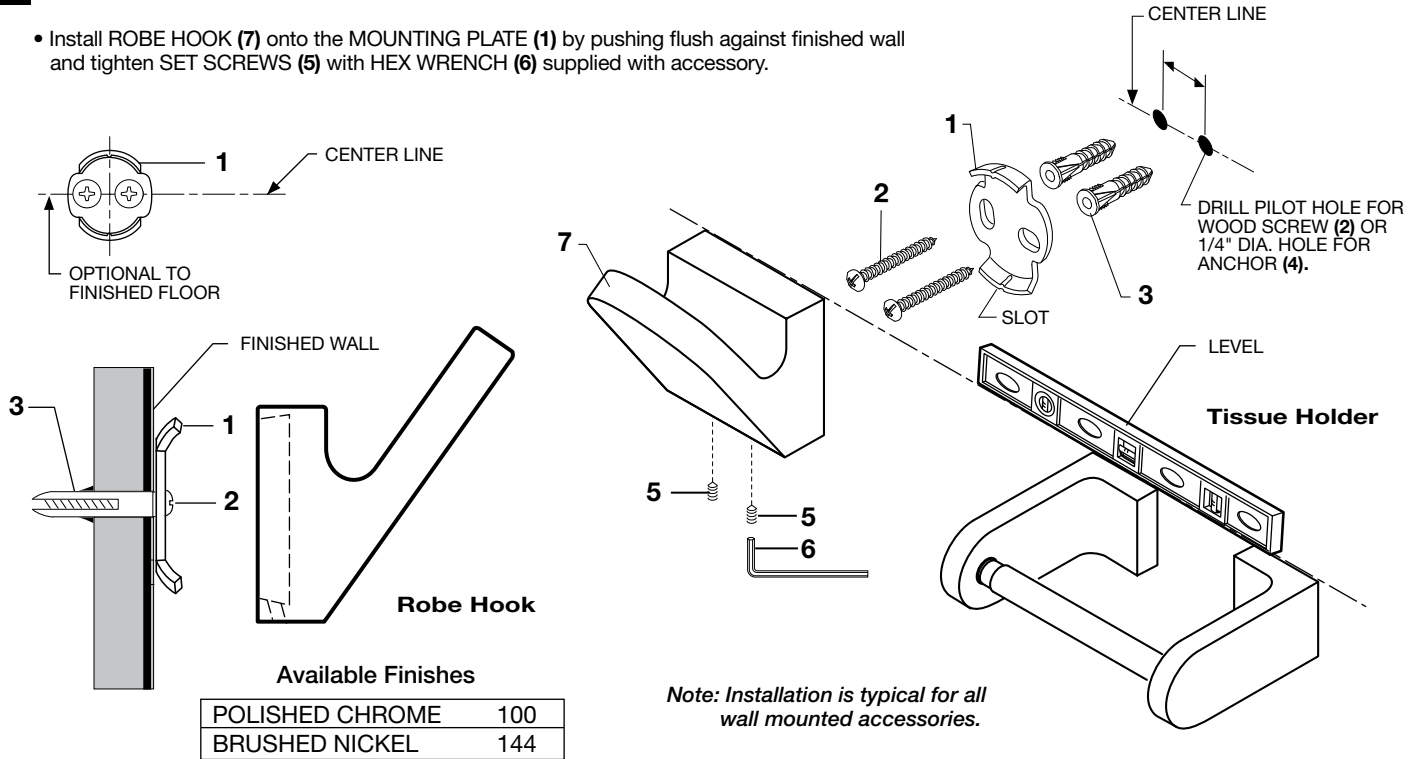
Toll Free: 01-800-8391200  
[www.DXV.mx](http://www.DXV.mx)

# 1 INSTALL WALL BRACKET

- The wall mounted accessories works best if secured to a wall stud or cross brace within the wall, using the SCREWS (2) supplied.
- If the WALL MOUNTED ACCESSORIES are to be installed on a tile or plaster wall, the ANCHORS (3) and SCREWS (2) should be used.
- Determine desired height and location (optional) and mark a center line. **IMPORTANT: The \*center line for the MOUNTING PLATE (1) must be level or the wall accessory will not mount level.** Using the MOUNTING PLATE (1) as a template mark the two spots for the ANCHORS (3). If MOUNTING PLATE (1) is secured to a stud or cross brace drill small pilot holes for SCREWS (2).
- **For installations on drywall or tiled walls:** Use ANCHORS (3) and SCREWS (2) for securing MOUNTING PLATE (1) to finished wall. Drill two 1/4" dia. holes a minimum of 1-3/4" deep. Insert the two ANCHORS (3) flush with face of the finished wall.
- Secure MOUNTING PLATE (1) to wall with SCREWS (2).

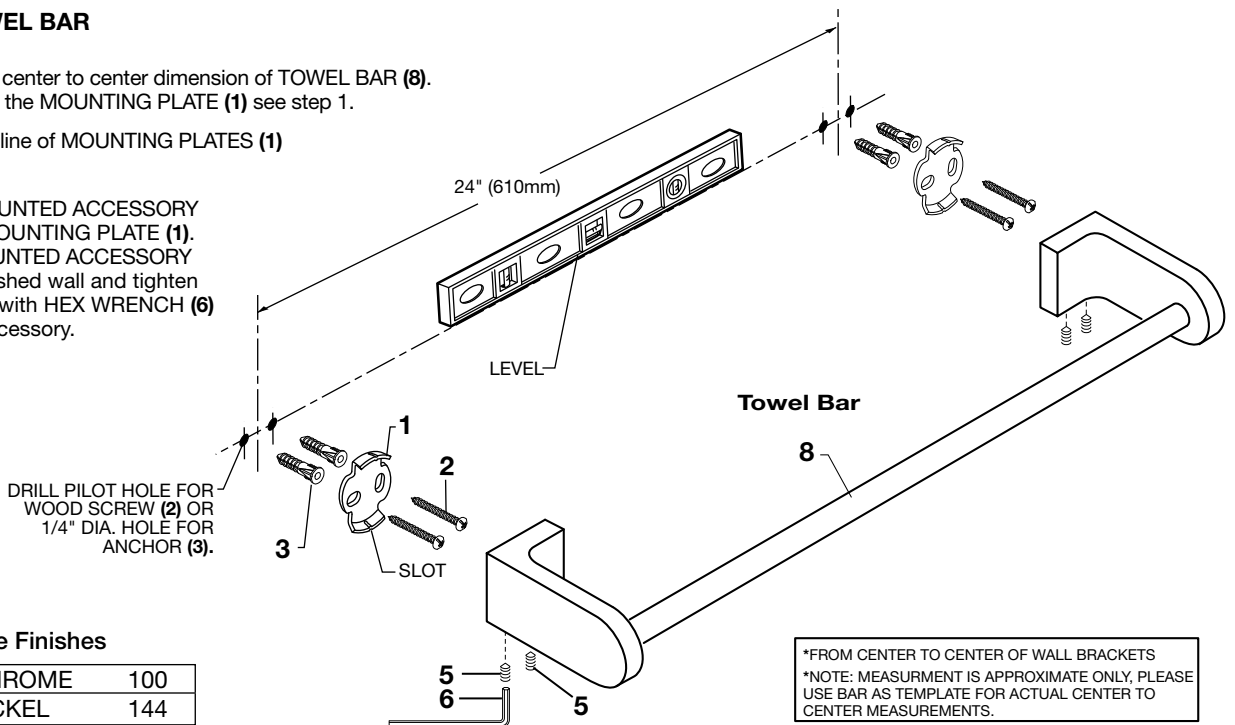
# 2 INSTALL ROBE HOOK and TISSUE HOLDER

- Install ROBE HOOK (7) onto the MOUNTING PLATE (1) by pushing flush against finished wall and tighten SET SCREWS (5) with HEX WRENCH (6) supplied with accessory.



# 3 INSTALL TOWEL BAR

- See detail for the center to center dimension of TOWEL BAR (8).
- For installation of the MOUNTING PLATE (1) see step 1.
- Note: The center line of MOUNTING PLATES (1) must be level.
- Install WALL MOUNTED ACCESSORY onto installed MOUNTING PLATE (1). Push WALL MOUNTED ACCESSORY flush against finished wall and tighten SET SCREW (5) with HEX WRENCH (6) supplied with accessory.



Available Finishes

POLISHED CHROME	100
BRUSHED NICKEL	144