



# RANDALL®

## DECK MOUNT TUB FILLER WITH HAND SHOWER



- Cast brass spout and side valves
- Ceramic disc valve cartridges
- Flexible hose connections for 8"-12" installations
- Hand shower included
- Available with cross or lever handles
- Hand shower features 5 ft (1.5 m) metal hose
- Maximum hand shower flow rate: 2.0 gpm (7.6 L/min)

### CODES AND STANDARDS

Meets or Exceeds ASME A112.18.1/CSA B125.1

### AVAILABLE FINISHES

Polished Chrome  
Brushed Nickel  
Platinum Nickel  
Satin Brass

### FINISH CODE

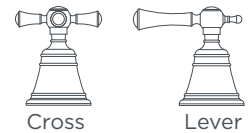
100  
144  
150  
427

### DESCRIPTION

Deck Mount Tub Filler with Hand Shower  
— Cross Handles  
— Lever Handles (ADA only)

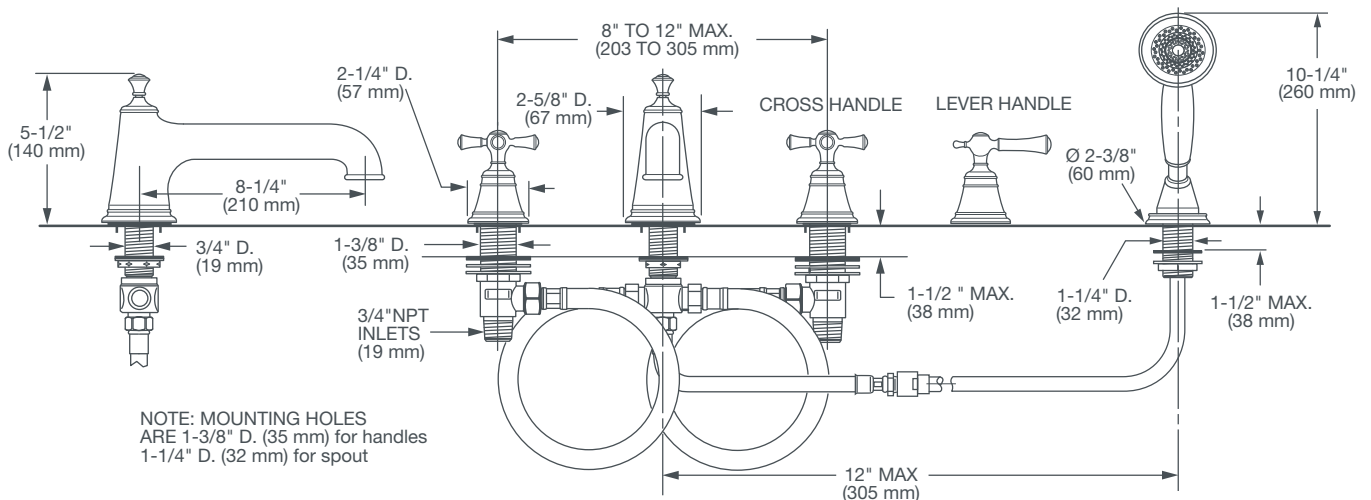
### PRODUCT NUMBER

D35102940.XXX  
D35102900.XXX



Cross

Lever



**IMPORTANT:** These measurements are subject to change or cancellation. No responsibility is assumed for use of superseded or voided pages.

PART OF LIXIL

©2017 AS America Inc.

Revised 2/17



Meets the Americans with Disabilities Act Guidelines and ANSI A117.1 Requirements for the physically challenged.

www.d xv.com