

INSTALLATION INSTRUCTIONS

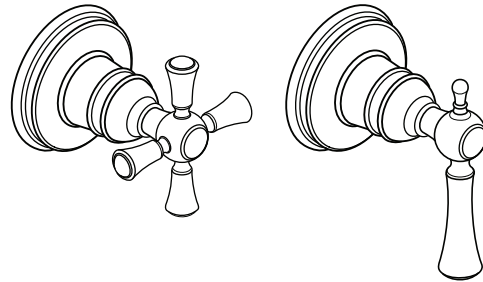


AMERICAN STANDARD

Randall™ Handle Trim Kits for Straight Wall Valves

Cross Handle
Model D35102.740

Lever Handle
Model D35102.700



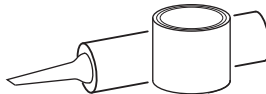
Thank you for selecting DXV by American Standard. To ensure that your installation proceeds smoothly, please read these instructions carefully before you begin.

RECOMMENDED TOOLS AND MATERIALS

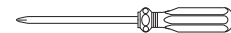
Most of the procedures require the use of common tools and materials, which are available from hardware and plumbing, supply stores. It is essential that the tools and materials be on hand before work is begun.



Adjustable Wrench



Plumbers' Putty or Caulking



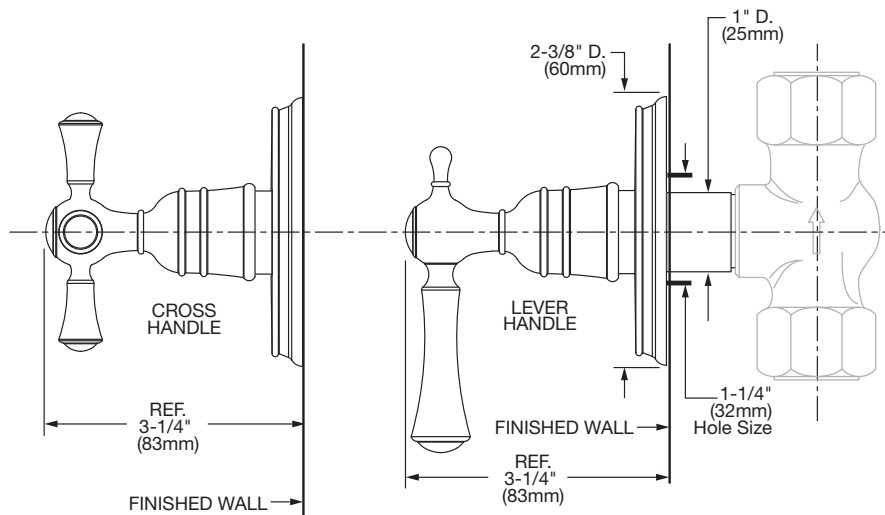
Phillips Screwdriver



Regular Screwdriver

ROUGHING-IN DIMENSIONS:

- For reference



In the United States:

DXV by American Standard
 One Centennial Avenue
 Piscataway, New Jersey 08855
 Attention: Director of Customer Care

For residents of the United States, warranty information may also be obtained by calling the following toll free number: (800) 227-2734
www.DXV.com

In Canada:

DXV by American Standard
 5900 Avebury Road
 Mississauga, Ontario
 L5R 3M3
 Canada

Toll Free: 1-800-387-0369
 Local: 905-306-1093
 Fax: 1-800-395-1498
www.DXV.ca

In Mexico:

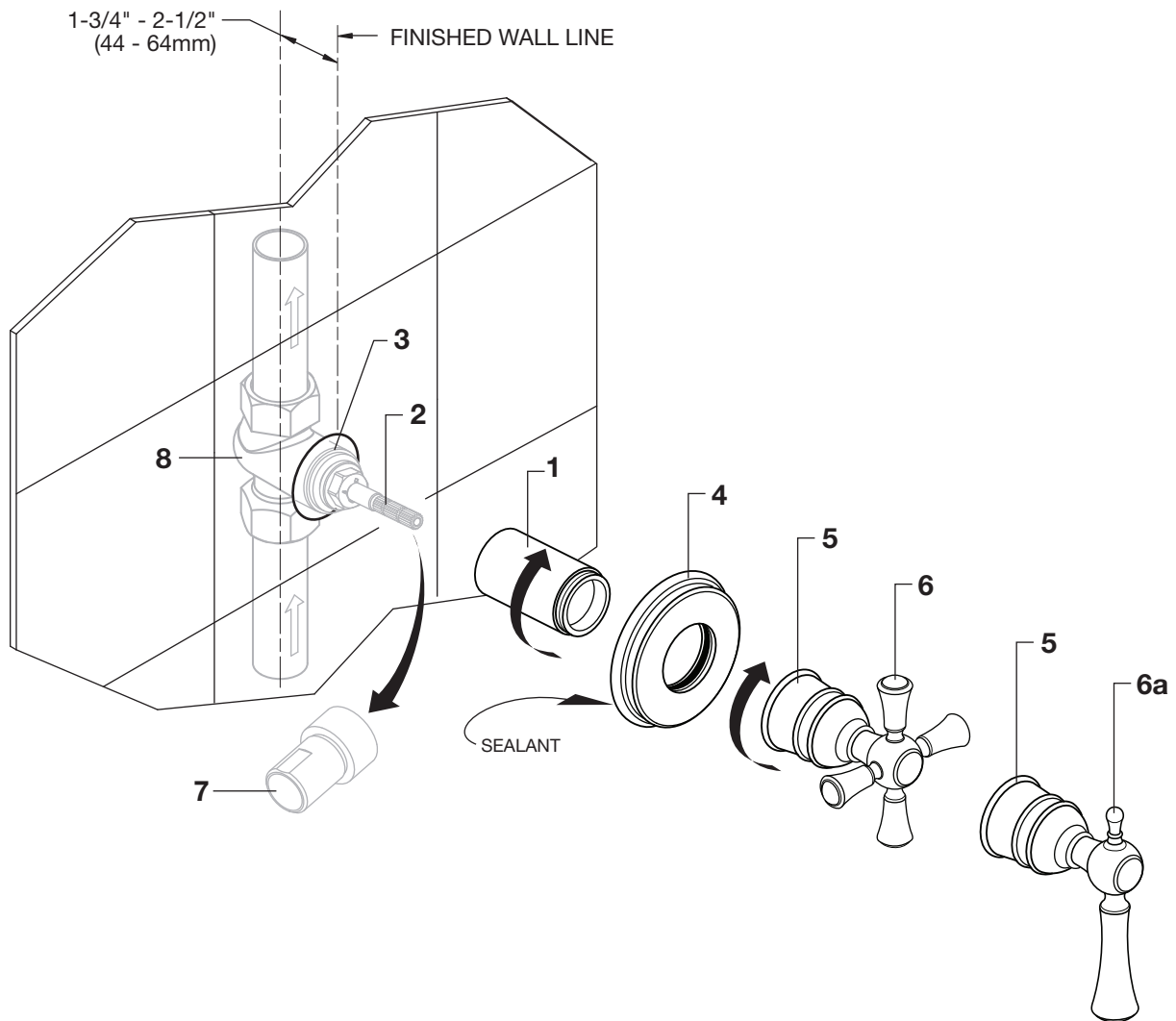
DXV by American Standard
 Via Morelos 330
 Col. Santa Clara Coatitla
 Ecatepec, Estado de México 55540

Toll Free: 01-800-8391200
www.DXV.mx

SAVE FOR FUTURE USE

1 **INSTALL VALVE TRIM** **CAUTION** Turn off hot and cold water supplies before beginning.

- Install WALL VALVE (8) per roughing-in dimensions.
- Twist and pull off PLASTER GUARD (7).
- Place BARREL SLEEVE (1) over VALVE STEM (2) and thread tight onto VALVE (3).
- Apply sealant to groove on back side of ESCUTCHEON (4). Slide ESCUTCHEON (4) onto BARREL SLEEVE (1) flush against finished wall to cover wall opening.
- With VALVE in off position align HANDLES (6, 6a) as shown or as desired. Install HANDLES (6, 6a) onto VALVE STEM (2). Thread BONNET NUT (5) onto BARREL SLEEVE (1) until it seats tight against the internal stop.





AMERICAN STANDARD

Randall™ Handle Trim Kits for Straight Wall Valves

MODEL NUMBERS

Cross Handle
D35102.740

Lever Handle
D35102.700

Replace the "XXX" or "YYY" with
appropriate finish code

POLISHED CHROME	100
BRUSHED NICKEL	144
PLATINUM NICKEL	150

