



AMERICAN STANDARD

# RANDALL™

## 1/2" OR 3/4" THERMOSTATIC TRIM



- Ceramic disc valve cartridge
- Cast brass valve body with built-in check stops
- Adjustable hot limit safety stop
- Available with cross or lever handle
- Wax thermostatic unit permits shuttle valve to move between the hot and cold seats to maintain the preselected constant water temperature
- Concealed mounting hardware
- Maximum temperature limit: 112°

### CODES AND STANDARDS

Meets or Exceeds ASME A112.18.1/CSA B125.1/ASSE 1016

### AVAILABLE FINISHES

- Polished Chrome
- Brushed Nickel
- Platinum Nickel

### FINISH CODE

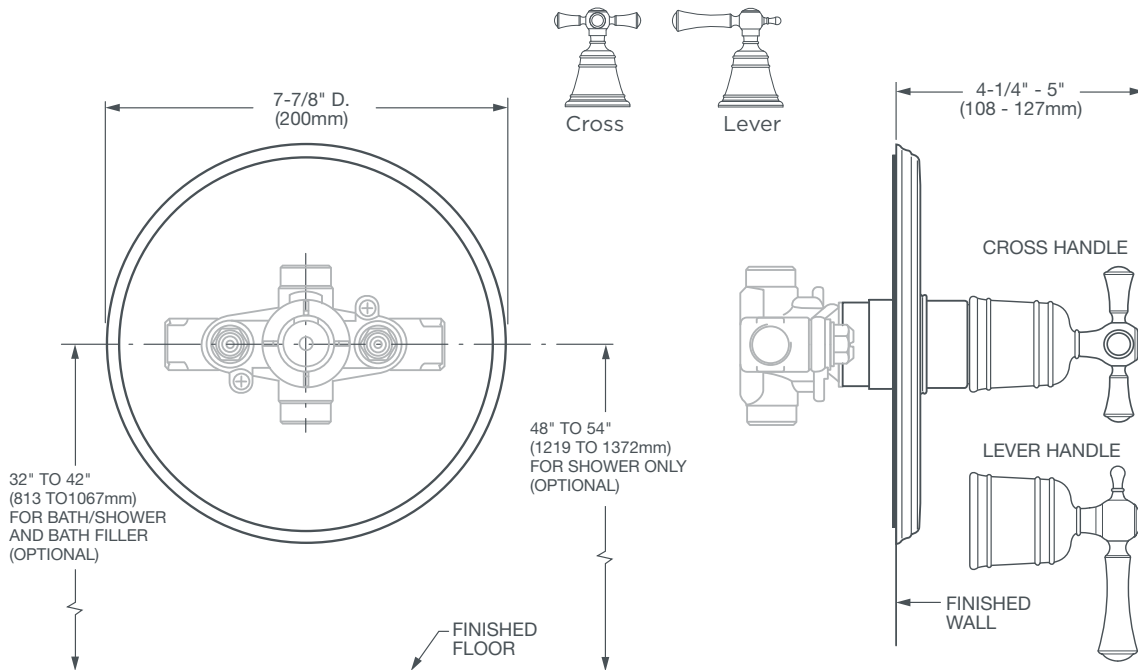
- 100
- 144
- 150

### DESCRIPTION

- 1/2" or 3/4" Thermostatic Trim
- Cross Handle
- Lever Handle
- 1/2" Thermostatic Rough Valve
- 3/4" Thermostatic Rough Valve

### PRODUCT NUMBER

- D35102514.XXX
- D35102510.XXX
- D35000510.191
- D35000530.191



**IMPORTANT:** These measurements are subject to change or cancellation. No responsibility is assumed for use of superseded or voided pages.



Meets the Americans with Disabilities Act Guidelines and ANSI A117.1 Requirements for the physically challenged.