

# INSTALLATION INSTRUCTIONS

## Randall™ Wall Mounted Accessories

Robe Hook – Model D35102.210

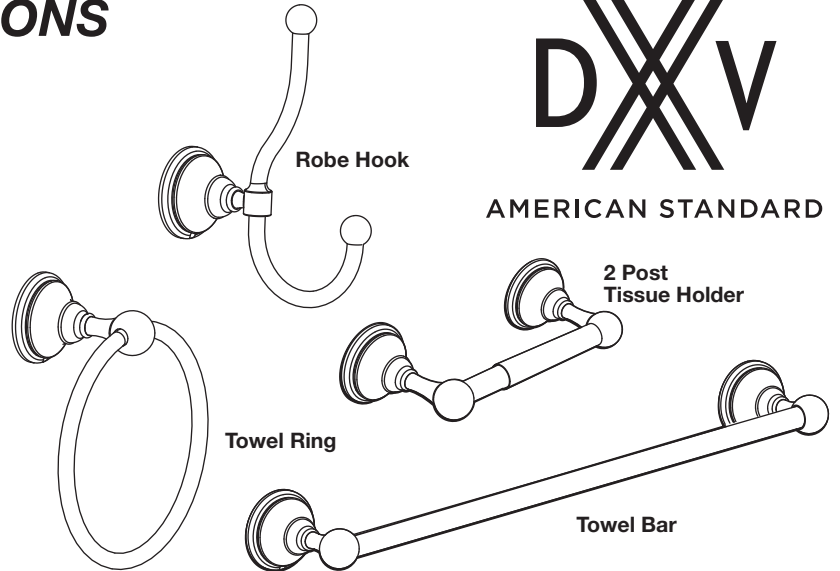
Towel Ring 6" – Model D35102.190

Towel Bar 24" – Model D35102.240

Tissue Holder – Model D35102.230  
2 Post

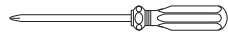


AMERICAN STANDARD

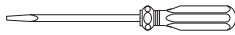


Thank you for selecting DXV by American Standard.  
To ensure that your installation proceeds smoothly,  
please read these instructions carefully before  
you begin.

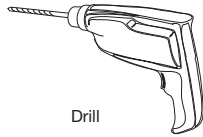
### RECOMMENDED TOOLS AND MATERIALS



Phillips Screwdriver



Regular Screwdriver



Drill



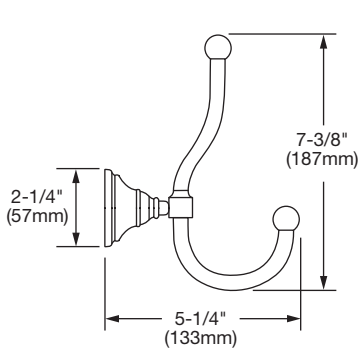
Tape Measure



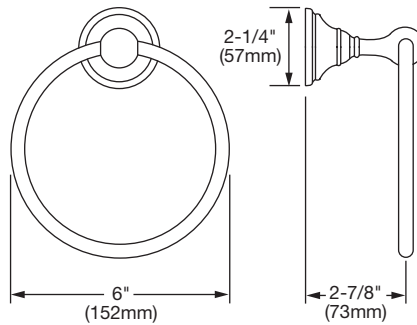
Level

### ROUGHING-IN DIMENSIONS:

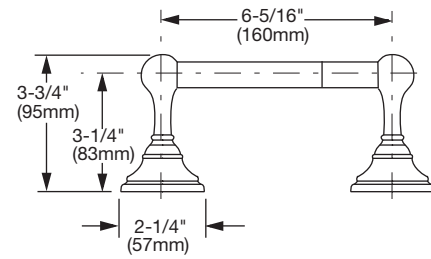
Robe Hook



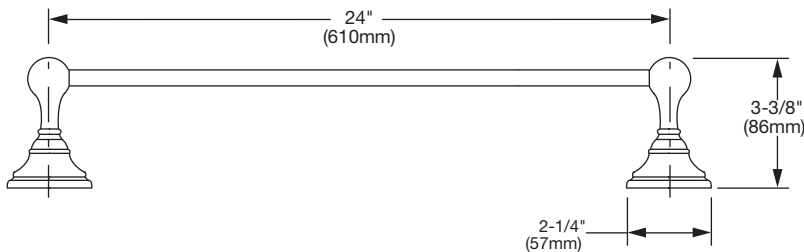
Towel Ring



2 Post Tissue Holder



Towel Bar



### Available Finishes

POLISHED CHROME	100
BRUSHED NICKEL	144
PLATINUM NICKEL	150

#### In the United States:

DXV by American Standard  
One Centennial Avenue  
Piscataway, New Jersey 08855  
Attention: Director of Customer Care

For residents of the United States, warranty information may also be obtained by calling the following toll free number: (800) 227-2734  
[www.DXV.com](http://www.DXV.com)

#### In Canada:

DXV by American Standard  
5900 Avebury Road  
Mississauga, Ontario  
L5R 3M3  
Canada

Toll Free: 1-800-387-0369  
Local: 905-306-1093  
Fax: 1-800-395-1498  
[www.DXV.ca](http://www.DXV.ca)

#### In Mexico:

DXV by American Standard  
Via Morelos 330  
Col. Santa Clara Coatitla  
Ecatepec, Estado de México 55540

Toll Free: 01-800-8391200  
[www.DXV.mx](http://www.DXV.mx)

SAVE FOR FUTURE USE

# 1

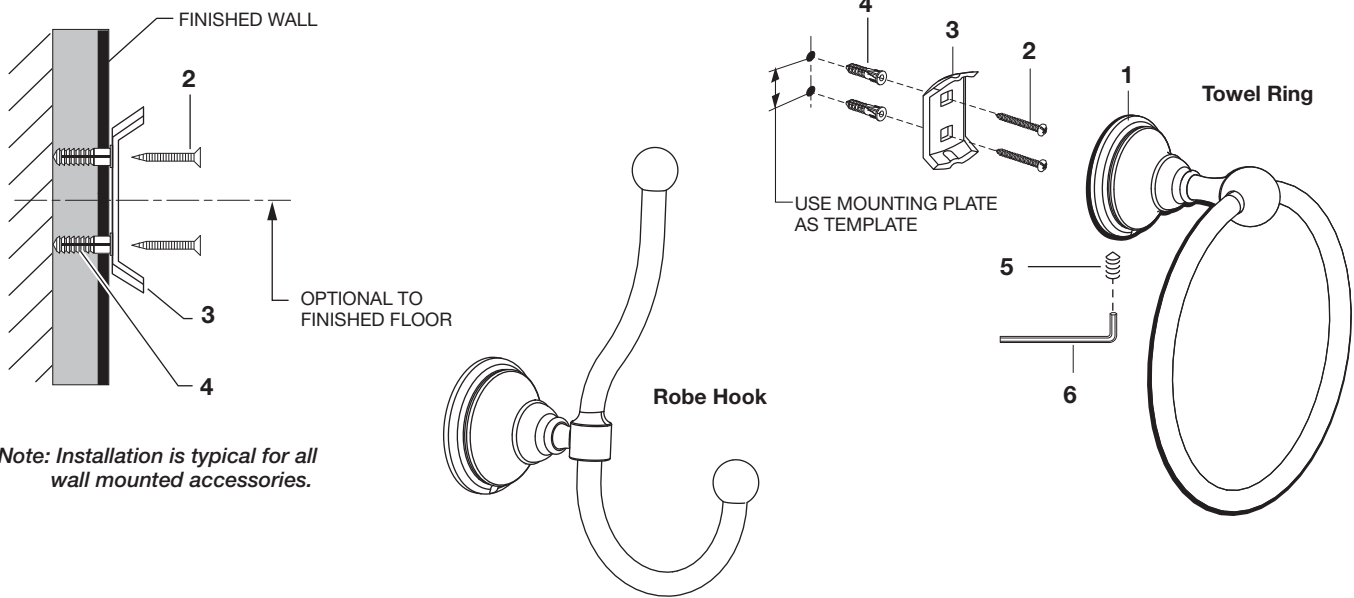
## INSTALL WALL BRACKET

- The wall mounted accessories (1) work best if secured to a wall stud or cross brace within the wall, using the SCREWS (2) supplied.
- If the WALL MOUNTED ACCESSORIES (1) are to be installed on a tile or plaster wall the ANCHORS (4) and SCREWS (2) should be used.
- Determine desired height and location (optional) and mark a center line. Using the MOUNTING PLATE (3) as a template mark the two spots for the ANCHORS (4). If MOUNTING PLATE (3) is secured to a stud or cross brace drill small pilot holes for SCREWS (2).
- *For installations on drywall or tiled walls:* Use ANCHORS (4) and SCREWS (2) for securing MOUNTING PLATE (3) to finished wall. Drill two 1/4" dia. holes a minimum of 1-3/4" deep. Insert the two ANCHORS (4) flush with face of the finished wall.
- Secure MOUNTING PLATE (3) to wall with SCREWS (2).

# 2

## INSTALL ACCESSORY

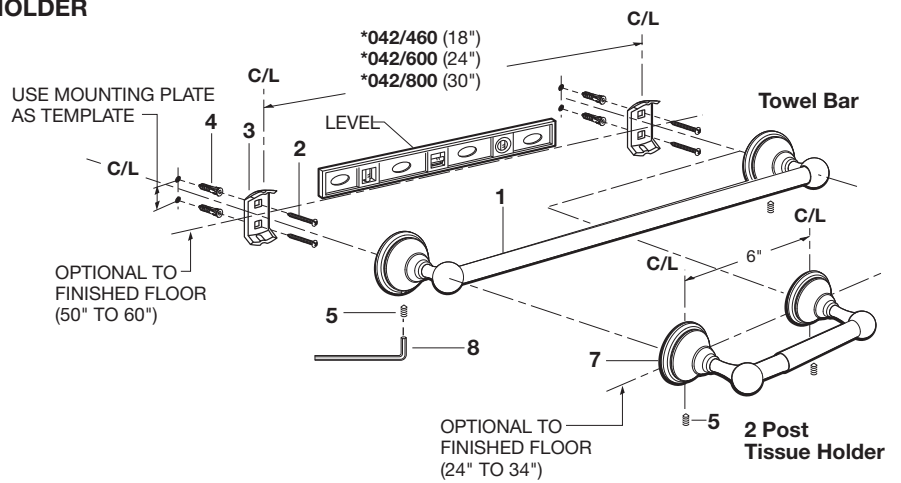
- Install WALL MOUNTED ACCESSORY (1) onto installed MOUNTING PLATE (3). Push WALL MOUNTED ACCESSORY (1) flush against finished wall and tighten SET SCREW (5) with HEX WRENCH (6) supplied with accessory.



# 3

## INSTALL TOWEL BAR or 2 POST TISSUE HOLDER

- See detail for the center to center dimension of TOWEL BARS (1). For installation of the WALL BRACKETS see step 1.
- The center line of WALL BRACKETS (3) must be level.
- Install TOWEL BAR (1), SHELF (6) or 2 POST TISSUE HOLDER (7) flush against finished wall and tighten SET SCREWS (5) with HEX WRENCH (8) supplied with accessory.



\*FROM CENTER TO CENTER OF WALL BRACKETS  
 \*NOTE: MEASUREMENT IS APPROXIMATE ONLY, PLEASE USE BAR AS TEMPLATE FOR ACTUAL CENTER TO CENTER MEASUREMENTS.