

INSTALLATION INSTRUCTIONS

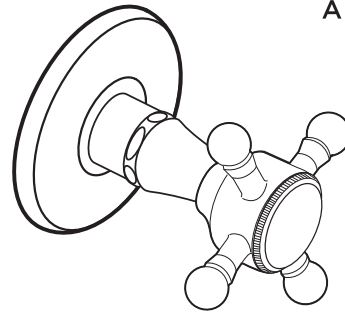
Ashbee™ Handle Trim Kit for 2 Way or 3 Way In-Wall Diverter

Model D35101.430



AMERICAN STANDARD

*Thank you for selecting DXV by American Standard.
To ensure that your installation proceeds smoothly,
please read these instructions carefully
before you begin.*



RECOMMENDED TOOLS AND MATERIALS

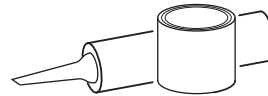
Most of the procedures require the use of common tools and materials, which are available from hardware and plumbing, supply stores. It is essential that the tools and materials be on hand before work is begun.



Regular Screwdriver



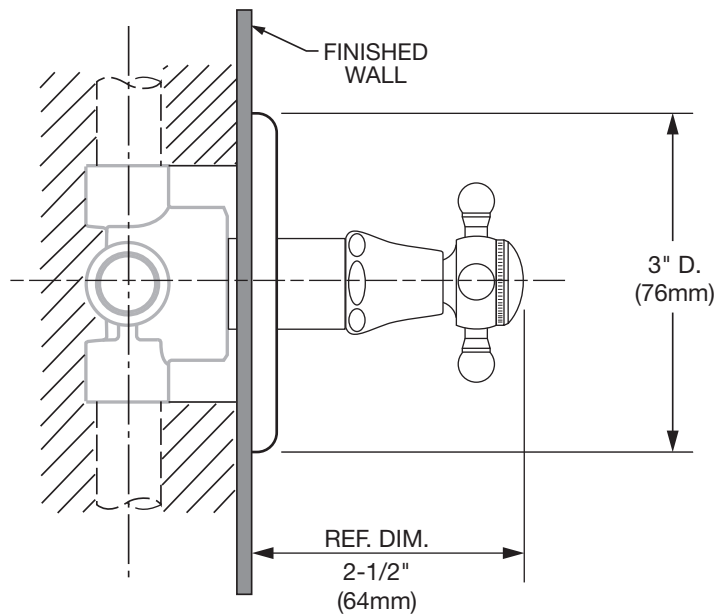
Phillips Screwdriver



Plumbers' Putty or Caulking

ROUGHING-IN DIMENSIONS:

- For reference



In the United States:

DXV by American Standard
One Centennial Avenue
Piscataway, New Jersey 08855
Attention: Director of Customer Care

For residents of the United States, warranty information may also be obtained by calling the following toll free number: (800) 227-2734
www.DXV.com

In Canada:

DXV by American Standard
5900 Avebury Road
Mississauga, Ontario
L5R 3M3
Canada

Toll Free: 1-800-387-0369
Local: 905-306-1093
Fax: 1-800-395-1498
www.DXV.ca

In Mexico:

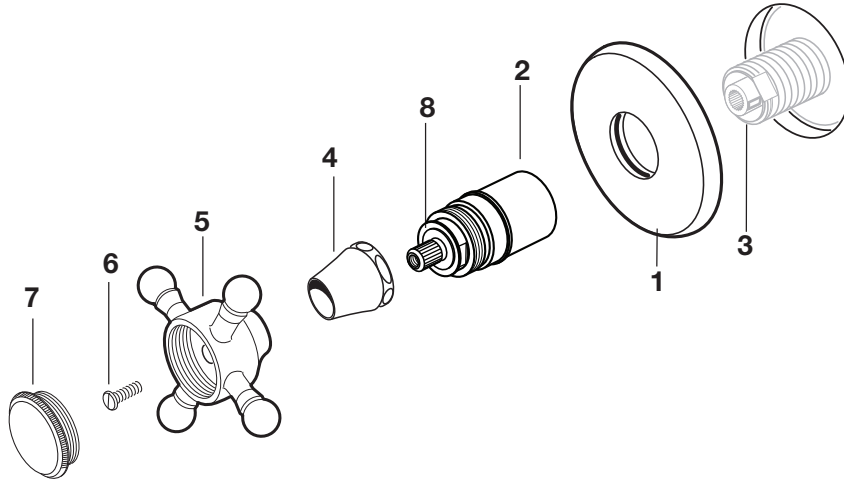
DXV by American Standard
Via Morelos 330
Col. Santa Clara Coatitla
Ecatepec, Estado de México 55540

Toll Free: 01-800-8391200
www.DXV.mx

SAVE FOR FUTURE USE

1 INSTALL CROSS HANDLE **CAUTION** Turn off hot and cold water supplies before beginning.

- Install ESCUTCHEON (1) onto ESCUTCHEON HOLDER (2). Thread ESCUTCHEON HOLDER (2) with ESCUTCHEON (1) onto DIVERTER VALVE (3) until ESCUTCHEON (1) is flush against finished wall.
- Thread BONNET NUT (4) onto ESCUTCHEON HOLDER (2) until it seats tight against the internal stop.
- With VALVE in off position align CROSS HANDLE (5) as shown or as desired. Install CROSS HANDLE (5) onto VALVE STEM (8) and tighten HANDLE SCREW (6) to secure HANDLE (5). Insert INDEX (7) into CROSS HANDLE (5).
- Turn on the water supply. Check that the fitting works correctly and does not leak.



AMERICAN STANDARD

Ashbee™
Handle Trim Kit for 2 Way
or 3 Way In-Wall Diverter

MODEL NUMBER

D35101.430

Replace the "XXX" or "YYY" with appropriate finish code

POLISHED CHROME	100
BRUSHED NICKEL	144
PLATINUM NICKEL	150

