

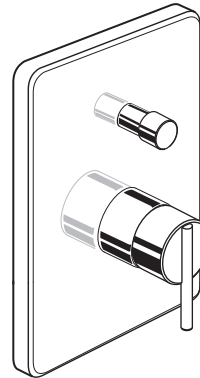
INSTALLATION INSTRUCTIONS



AMERICAN STANDARD

Rem™ Pressure Balanced Tub/Shower Diverter Valve Trim Kit Model D35100600

To be used with D35000600.191
Rough Valve for Pressure
Balanced Bath/Shower



Thank you for selecting DXV by American Standard.
To ensure that your installation proceeds smoothly,
please read these instructions carefully
before you begin.

RECOMMENDED TOOLS AND MATERIALS

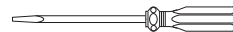
Most of the procedures require the use of common tools and materials, which are available from hardware and plumbing, supply stores. It is essential that the tools and materials be on hand before work is begun.



Hex Wrench
(Supplied)



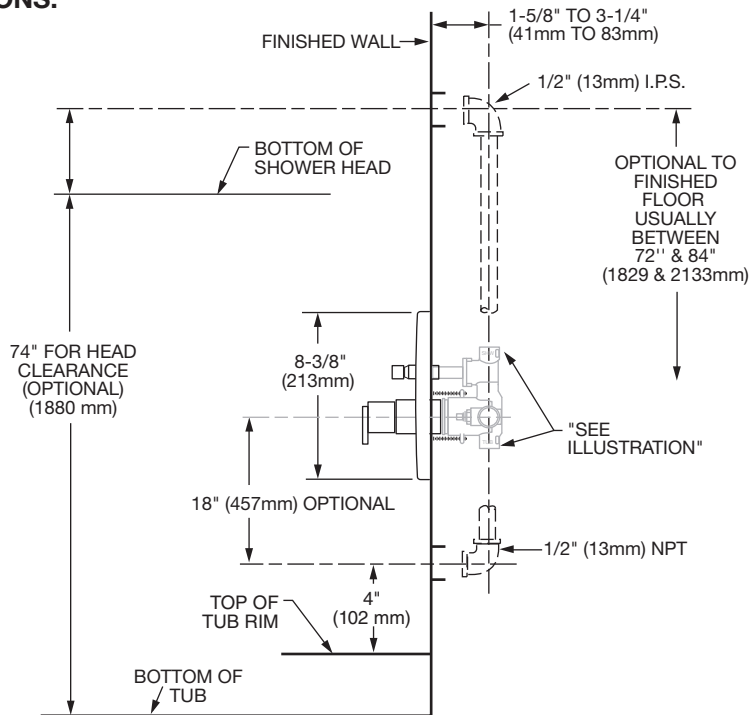
Phillips Screwdriver



Regular Screwdriver

ROUGHING-IN DIMENSIONS:

- For reference



SAVE FOR FUTURE USE

In the United States:

DXV by American Standard
One Centennial Avenue
Piscataway, New Jersey 08855
Attention: Director of Customer Care

For residents of the United States, warranty information may also be obtained by calling the following toll free number: (800) 227-2734
www.DXV.com

In Canada:

DXV by American Standard
5900 Avebury Road
Mississauga, Ontario
L5R 3M3
Canada

Toll Free: 1-800-387-0369
Local: 905-306-1093
Fax: 1-800-395-1498
www.DXV.ca

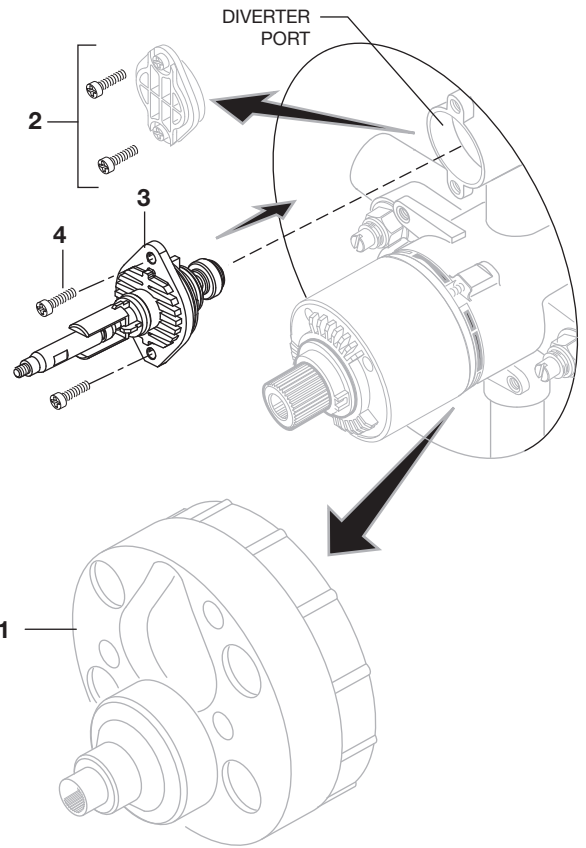
In Mexico:

DXV by American Standard
Via Morelos 330
Col. Santa Clara Coatitla
Ecatepec, Estado de México 55540

Toll Free: 01-800-8391200
www.DXV.mx

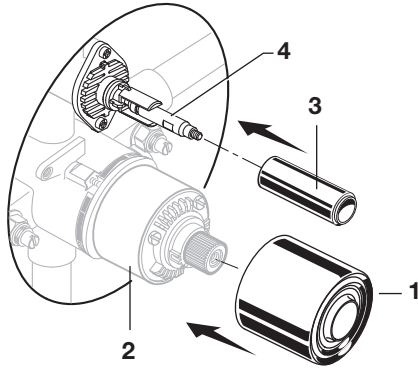
1 INSTALL DIVERTER **CAUTION** Turn off water at main supply.

- When finished tiling the wall, remove PLASTER GUARD (1). Remove two screws that secure the DIVERTER LID (2) and remove Lid. Inspect the inside surface of diverter port. Diverter port must be free of any dirt. Clean if necessary.
- Install DIVERTER (3) with SCREWS (4) removed from DIVERTER LID (2).
- Operate DIVERTER (3). DIVERTER (3) should slide in and out smoothly.



2 INSTALL DIVERTER COVER AND VALVE COVER

- Push CAP (1) over VALVE CARTRIDGE (2) until seated against stop. Push CAP (3) over DIVERTER (4) until seated against stop.



3a INSTALL TRIM

- **Figure 1.** Push ESCUTCHEON HOLDER (1) onto CAP (2) and attach to valve body with SCREWS (3). Mount ESCUTCHEON SUPPORT (4) to ESCUTCHEON HOLDER (1) with SCREWS (5).

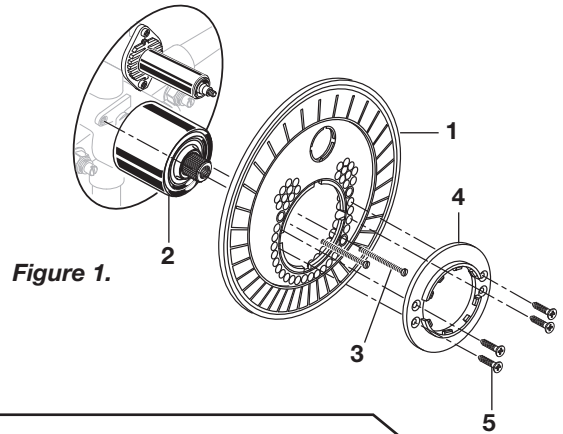


Figure 1.

3b

- **Figure 2.** Install ESCUTCHEON (6) onto CAP (2) and push flush against finished wall. Escutcheon (6) will snap fit onto ESCUTCHEON SUPPORT (4).

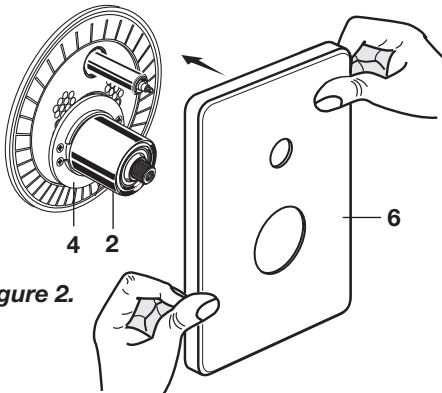


Figure 2.

3c

- **Figure 3.** Thread DIVERTER KNOB (7) onto diverter stem.
- Install HANDLE ADAPTER (8) onto VALVE STEM (9) and secure with SCREW (10).
- Align LEVER HANDLE (11) so lever is facing down and tighten SET SCREW (12) with hex wrench to secure LEVER HANDLE (11).

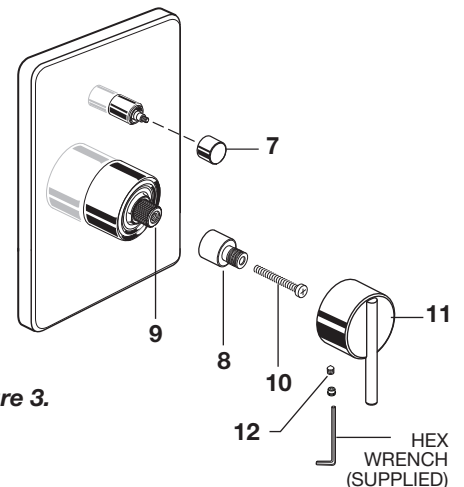
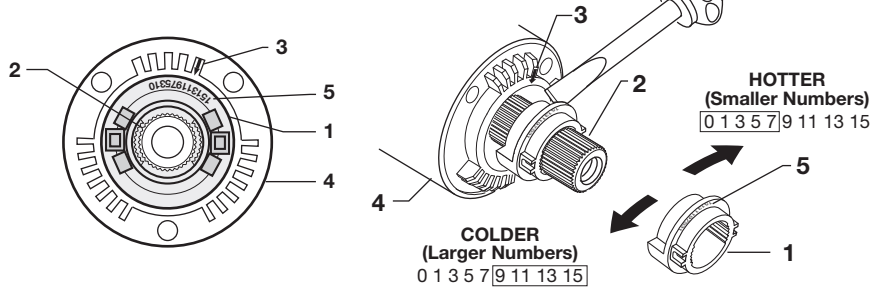


Figure 3.

4 ADJUST HOT LIMIT STOP (MUST BE DONE PRIOR TO TRIM INSTALLATION)

By restricting HANDLE rotation and limiting the amount of hot water allowed to mix with the cold, the HOT LIMIT SAFETY STOP (1) reduces risk of accidental scalding. To set the maximum hot water temperature of your faucet, all you need to do is adjust the setting on the HOT LIMIT SAFETY STOP (1).

- Turn CARTRIDGE STEM (2) to the OFF position (coldest setting) before making adjustment to HOT LIMIT STOP (1). Use a flat blade screwdriver to pry free the HOT LIMIT SAFETY STOP (1). Pull forward and rotate counterclockwise one number to limit hot water temperature. Use ARROW (3) on CARTRIDGE (4) and NUMBERS (5) on HOT LIMIT STOP (1) for indication.



5 TEST INSTALLED FAUCET

- Turn VALVE "off".
- With HANDLE in "off" position, turn on watersupplies and check all connections for leaks.
- Operate HANDLE and flush water lines thoroughly. Pull DIVERTER and check SHOWER for proper operation.
- Check SPOUT and SHOWER connections for leaks.

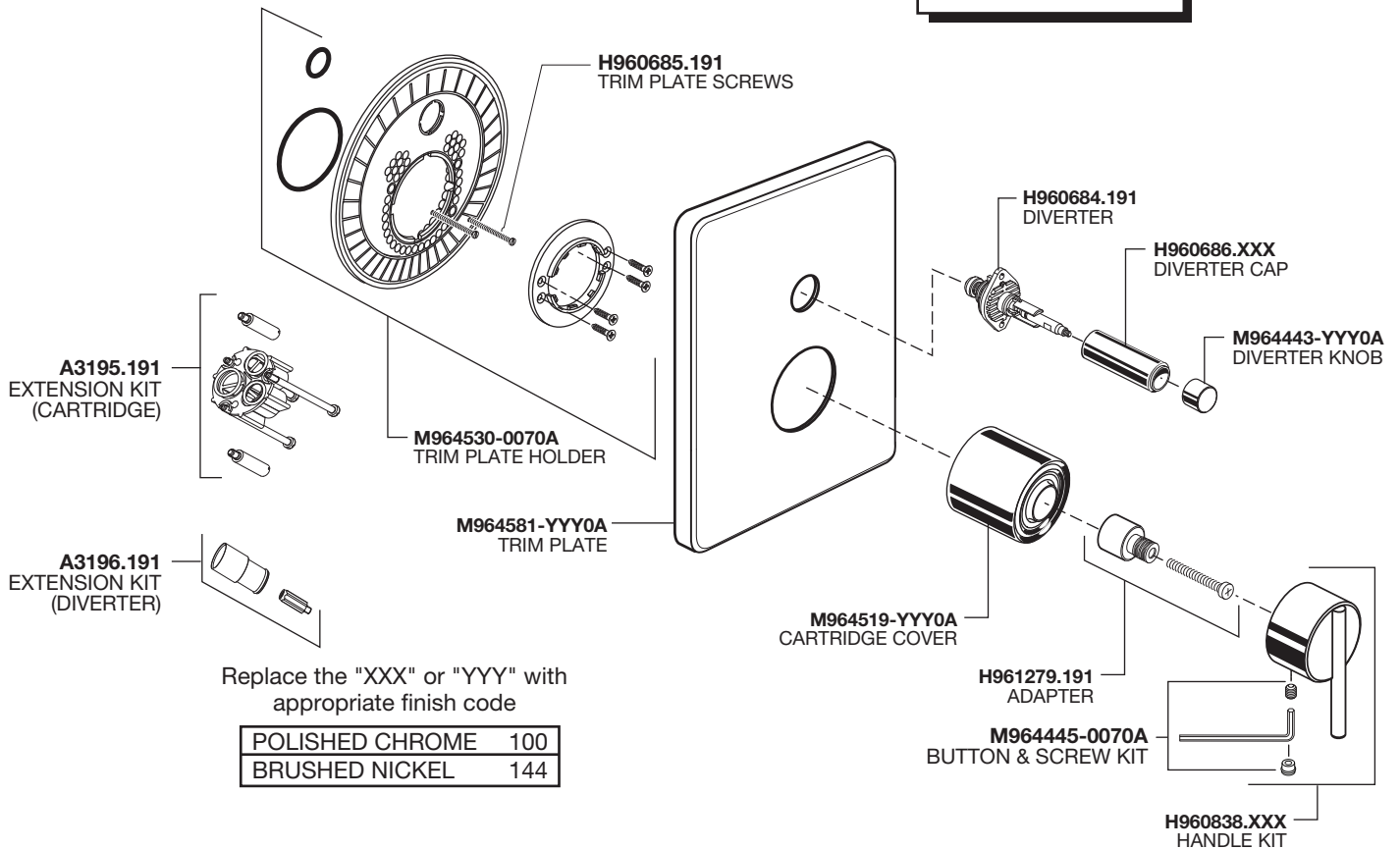


AMERICAN STANDARD

Rem™ Pressure Balanced Tub/Shower Diverter Valve Trim Kit

MODEL NUMBER

D35100600



Replace the "XXX" or "YYY" with appropriate finish code

POLISHED CHROME	100
BRUSHED NICKEL	144