

# INSTALLATION INSTRUCTIONS

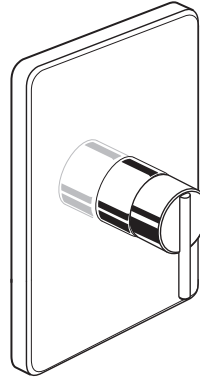


AMERICAN STANDARD

## Rem™ Pressure Balanced Shower Valve Trim Kit

Model D35100500

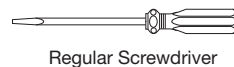
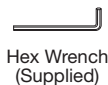
To be used with D35000500.191 Pressure Balanced Shower Valve



*Thank you for selecting DXV by American Standard. To ensure that your installation proceeds smoothly, please read these instructions carefully before you begin.*

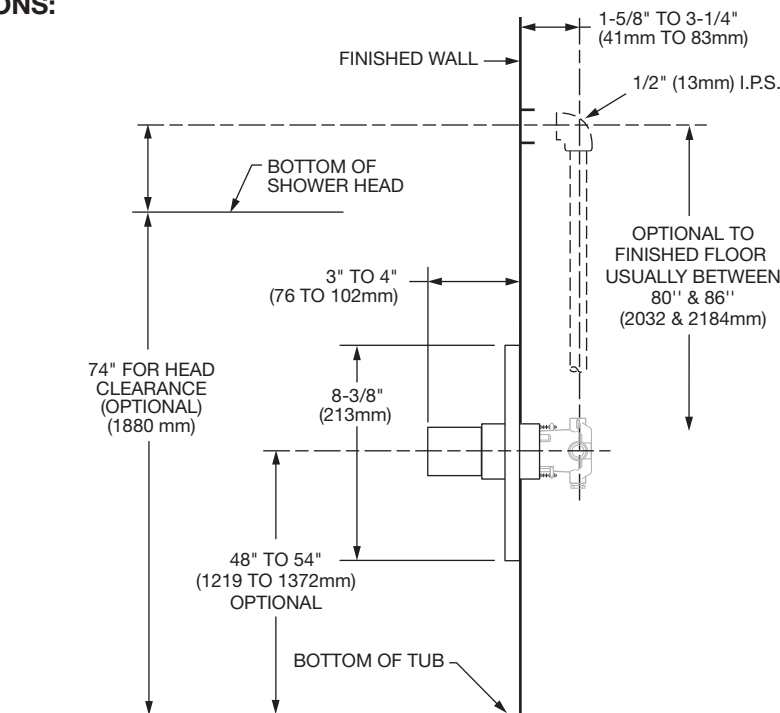
### RECOMMENDED TOOLS AND MATERIALS

Most of the procedures require the use of common tools and materials, which are available from hardware and plumbing, supply stores. It is essential that the tools and materials be on hand before work is begun.



### ROUGHING-IN DIMENSIONS:

- For reference



SAVE FOR FUTURE USE

#### In the United States:

DXV by American Standard  
One Centennial Avenue  
Piscataway, New Jersey 08855  
Attention: Director of Customer Care

For residents of the United States, warranty information may also be obtained by calling the following toll free number: (800) 227-2734  
[www.DXV.com](http://www.DXV.com)

#### In Canada:

DXV by American Standard  
5900 Avebury Road  
Mississauga, Ontario  
L5R 3M3  
Canada

Toll Free: 1-800-387-0369  
Local: 905-306-1093  
Fax: 1-800-395-1498  
[www.DXV.ca](http://www.DXV.ca)

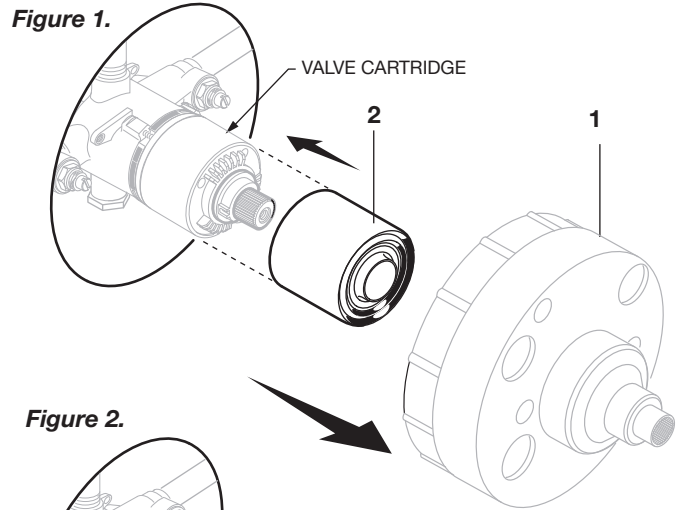
#### In Mexico:

DXV by American Standard  
Via Morelos 330  
Col. Santa Clara Coatitla  
Ecatepec, Estado de México 55540

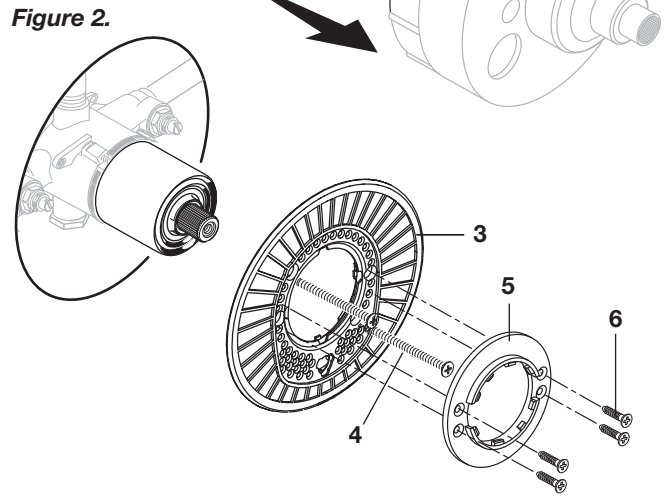
Toll Free: 01-800-8391200  
[www.DXV.mx](http://www.DXV.mx)

**1a** **INSTALL VALVE TRIM** **CAUTION** Turn off water at main supply.

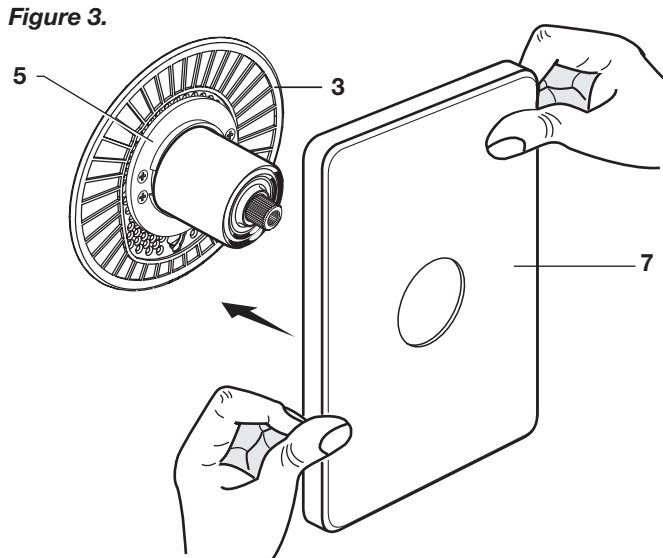
- When finished tiling the wall, remove PLASTER GUARD (1).
- **Figure 1.** Push CAP (2) over VALVE CARTRIDGE until seated against stop.



- 1b**
- **Figure 2.** Mount ESCUTCHEON HOLDER (3) and gasket to valve body with SCREWS (4). Mount ESCUTCHEON SUPPORT (5) to ESCUTCHEON HOLDER (3) with SCREWS (6).

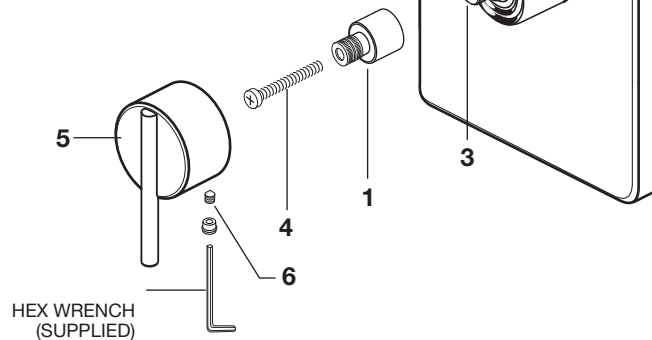


- 1c**
- **Figure 3.** Install ESCUTCHEON (7) onto CAP (2) and push flush against finished wall. Escutcheon (7) will snap fit onto ESCUTCHEON SUPPORT (5).



**2** **INSTALL HANDLE**

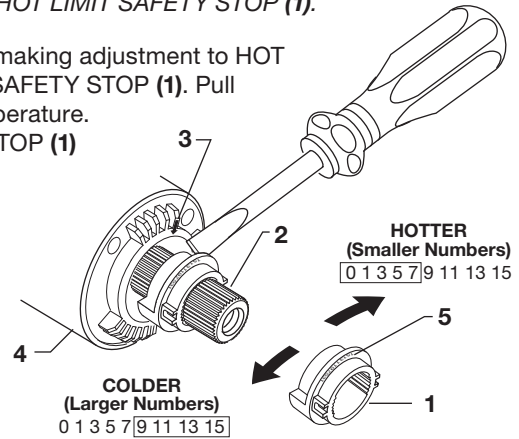
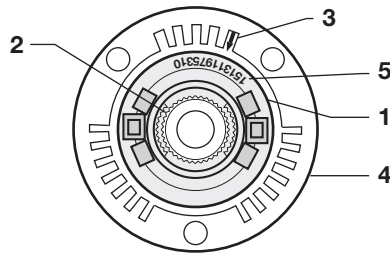
- Install HANDLE ADAPTER (1) onto VALVE STEM (3) and secure with SCREW (4).
- Align LEVER HANDLE (5) so lever is facing down and tighten SET SCREW (6) with hex wrench to secure LEVER HANDLE (5).



### 3 ADJUST HOT LIMIT STOP (MUST BE DONE PRIOR TO TRIM INSTALLATION)

By restricting HANDLE rotation and limiting the amount of hot water allowed to mix with the cold, the HOT LIMIT SAFETY STOP (1) reduces risk of accidental scalding. To set the maximum hot water temperature of your faucet, all you need to do is adjust the setting on the HOT LIMIT SAFETY STOP (1).

- Turn CARTRIDGE STEM (2) to the OFF position (coldest setting) before making adjustment to HOT LIMIT STOP (1). Use a flat blade screwdriver to pry free the HOT LIMIT SAFETY STOP (1). Pull forward and rotate counterclockwise one number to limit hot water temperature. Use ARROW (3) on CARTRIDGE (4) and NUMBERS (5) on HOT LIMIT STOP (1) for indication.



### 4 TEST INSTALLED FAUCET

- Turn VALVE "off".
- With HANDLE in "off" position, turn on water supplies and check all connections for leaks.
- Operate HANDLE and flush water lines thoroughly.



AMERICAN STANDARD

## Rem™ Pressure Balanced Shower Valve Trim Kit

MODEL NUMBER

**D35100500**

Replace the "XXX" or "YYY" with appropriate finish code

POLISHED CHROME	100
BRUSHED NICKEL	144

