

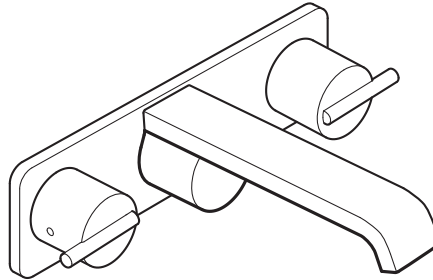
# INSTALLATION INSTRUCTIONS



AMERICAN STANDARD

## Rem™ Trim Kit for Wall-Mounted Vessel Lavatory Faucet Model D35100.450

Thank you for selecting DXV by American Standard. To ensure that your installation proceeds smoothly, please read these instructions carefully before you begin.



### RECOMMENDED TOOLS AND MATERIALS

Most of the procedures require the use of common tools and materials, which are available from hardware and plumbing, supply stores. It is essential that the tools and materials be on hand before work is begun.



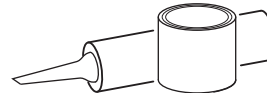
Adjustable Wrench



Channel Locks



Teflon Tape



Plumbers' Putty or Caulking



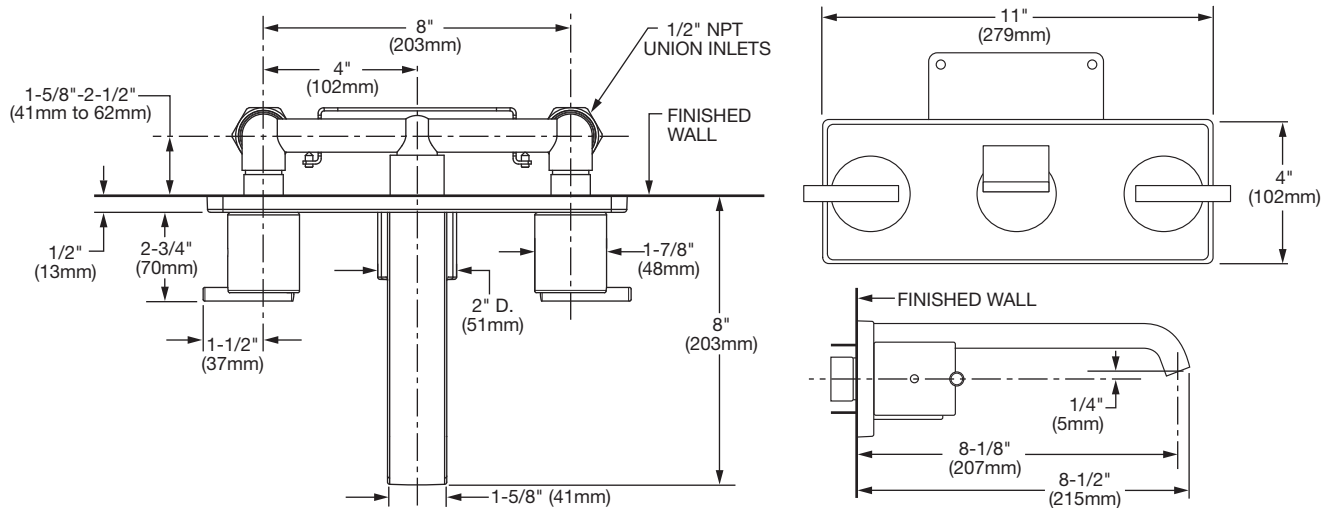
Phillips Screwdriver



Regular Screwdriver

### ROUGHING-IN DIMENSIONS:

- For reference



#### In the United States:

DXV by American Standard  
One Centennial Avenue  
Piscataway, New Jersey 08855  
Attention: Director of Customer Care

For residents of the United States, warranty information may also be obtained by calling the following toll free number: (800) 227-2734  
[www.DXV.com](http://www.DXV.com)

#### In Canada:

DXV by American Standard  
5900 Avebury Road  
Mississauga, Ontario  
L5R 3M3  
Canada

Toll Free: 1-800-387-0369  
Local: 905-306-1093  
Fax: 1-800-395-1498  
[www.DXV.ca](http://www.DXV.ca)

#### In Mexico:

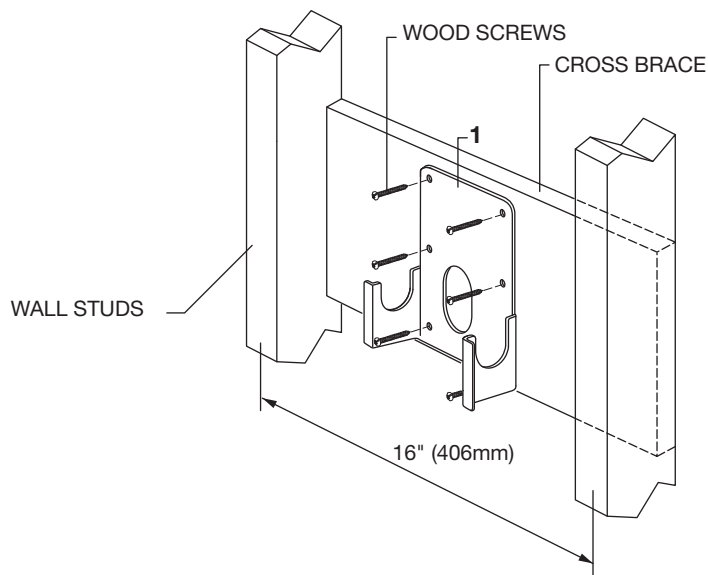
DXV by American Standard  
Via Morelos 330  
Col. Santa Clara Coatitla  
Ecatepec, Estado de México 55540

Toll Free: 01-800-8391200  
[www.DXV.mx](http://www.DXV.mx)

SAVE FOR FUTURE USE

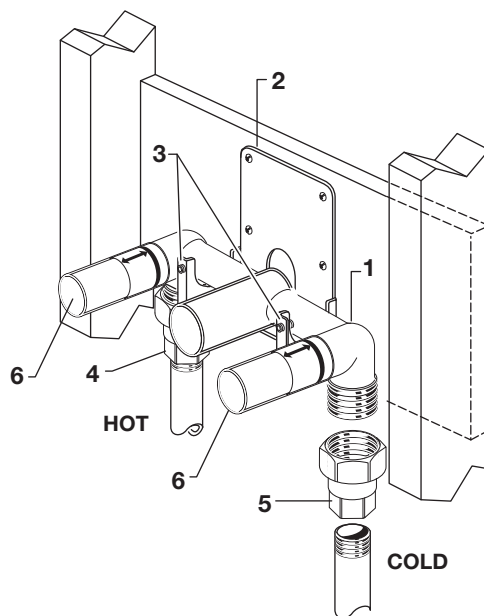
## 1 INSTALL WALL BRACKET

- Determine where the finished wall location will be. **This measurement is very important!** Note: The rough-in measurement from the finished wall is; 1-9/16" (40mm) minimum and 2-7/16" (62mm) maximum. This is a 7/8" (22mm) tolerance. See rough-in illustration above.
- Secure WALL BRACKET (1) to cross brace of wall structure at required height using six wood screws.



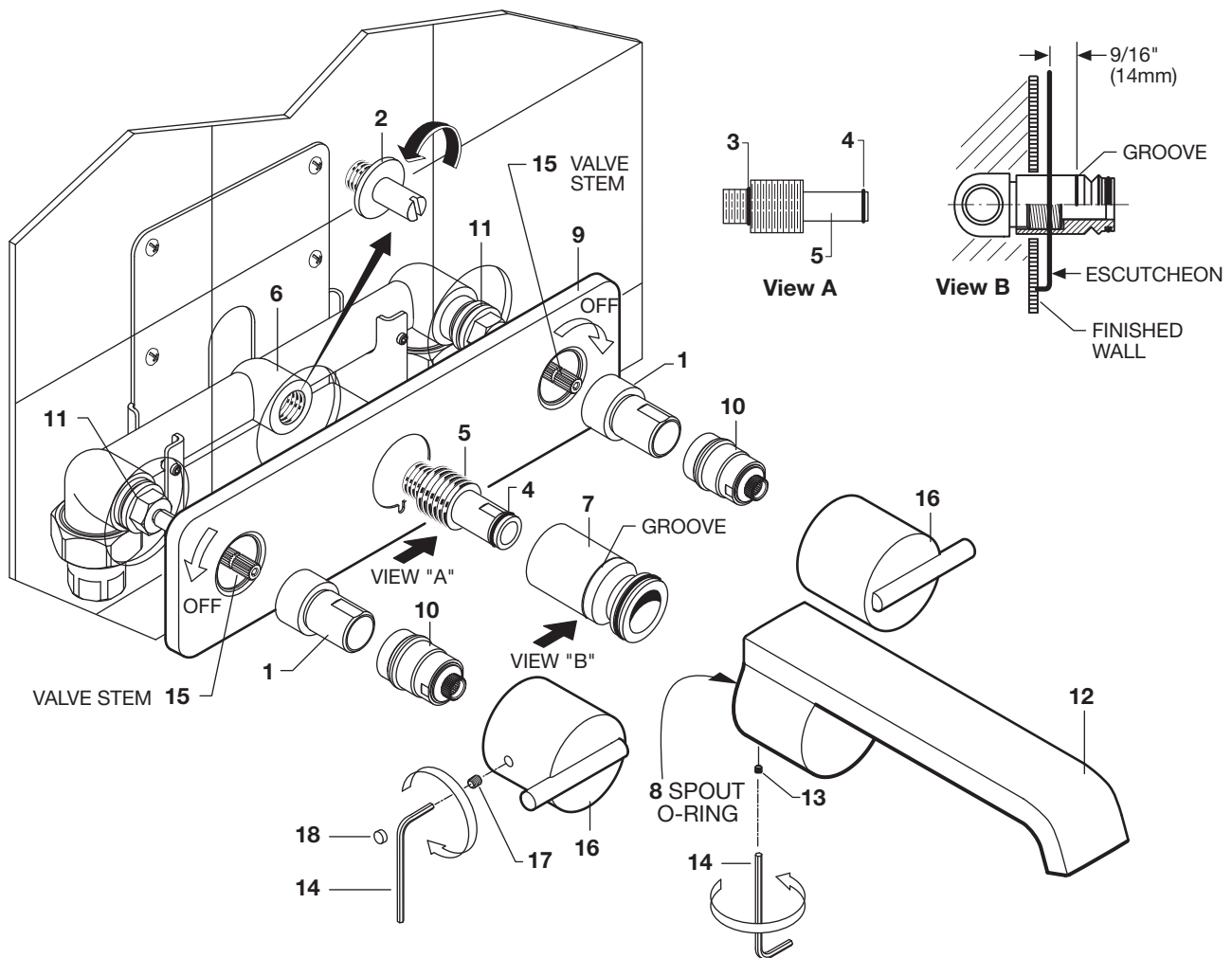
## 2 INSTALL VALVE BODY

- Mount VALVE BODY (1) to WALL BRACKET (2) as shown. Level and tighten SET SCREWS (3) to secure VALVE BODY (1) to WALL BRACKET (2).
- Connect HOT water supply to LEFT INLET UNION (4) and COLD water supply to RIGHT INLET UNION (5). Pipe connections are 1/2" NPT. Use sealant or Teflon tape on pipe connections. **Do not solder directly to valve body.**
- With valves closed open supply lines and check for leaks. Remove PLASTER GUARDS (6) and open both valves and check for leaks.
- Close both valves and turn off water supplies. Replace PLASTER GUARDS (6) and finish wall construction.



### 3 INSTALL WALL SPOUT

- Twist and pull off PLASTER GUARDS (1). Thread counter clock-wise ROUGH-IN NIPPLE (2) with a flat blade screwdriver and remove.
- Inspect that SPOUT NIPPLE O-RINGS (3 & 4) are seated in the grooves of SPOUT NIPPLE (5). See View "A".
- Thread SPOUT NIPPLE (5) into VALVE BODY (6) and tighten until O-RING (3) is fully seated against VALVE BODY (6).
- Mount WALL ESCUTCHEON (9). Thread ADAPTERS (10) onto VALVE (11) until WALL ESCUTCHEON (9) is flush against finished wall.
- Inspect that ADAPTER O-RINGS (3, 4) are seated in the grooves of ADAPTER (5). See View "A". Install ADAPTER (5) into spout outlet and tighten with wrench. Thread SPOUT ADAPTER (7) onto ADAPTER (5) so that the groove extends 9/16" beyond face of ESCUTCHEON. See View "B".
- Push SPOUT (12) onto SPOUT ADAPTER (7) until flush against WALL ESCUTCHEON (9). If SPOUT is not against WALL ESCUTCHEON (9) pull spout off and adjust SPOUT ADAPTER (10).
- Tighten SET SCREW (13) with HEX WRENCH (14) supplied.

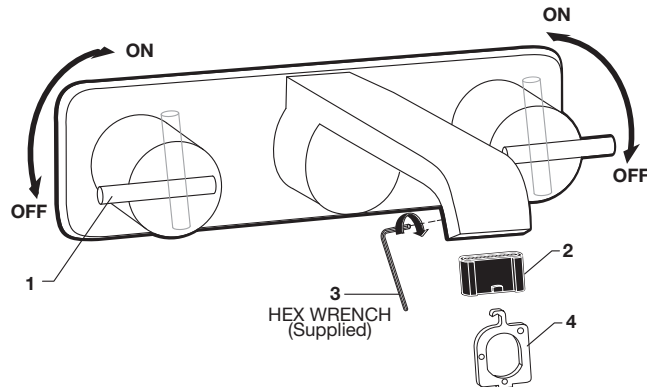


### 4 INSTALL HANDLES

- Turn VALVE STEMS (15) to off position.
- Align LEVER HANDLES (16) as shown and install onto ADAPTERS (10). Tighten SET SCREW (17) with HEX WRENCH (14) supplied. Install PLUG BUTTONS (18).

## 5 TEST INSTALLED FAUCET

- With HANDLE (1) in OFF position, turn on WATER SUPPLIES and check all connections for leaks.
- Remove AERATOR (2). First loosen aerator set screw with HEX WRENCH (3) supplied. Pull out AERATOR (2) with AERATOR KEY (4).
- Operate HANDLES (1) to flush water lines thoroughly.
- Replace AERATOR (2) and tighten set screw.



# DXV

AMERICAN STANDARD

## Rem™ Wall-Mounted Vessel Lavatory Faucet Trim

MODEL NUMBER

**D35100.450**

Replace the "XXX" with appropriate finish code

POLISHED CHROME	100
BRUSHED NICKEL	144

