

# OAK HILL™

## TWO-PIECE ELONGATED TOILET



### D2203AA100.415

#### FEATURES

- Elongated bowl
- Vitreous china
- High efficiency (1.28 gpf/4.8 Lpf)
- Exposed trapway design
- Includes design matched Duroplast™ slow-close seat
- Right Height®
- 2" fully-glazed trapway
- Power wash rim/siphon jetted flush
- EverClean® surface
- 3" Flush valve
- 12" Rough-in

#### DIMENSIONS

##### NOMINAL DIMENSIONS

30-13/16" x 18" x 32-15/16" (783 x 457 x 836 mm)

##### WATER SPOT

8-3/4" (222 mm) wide

10" (253 mm) length

5-3/4" (147 mm) distance to rim

#### COLORS/FINISHES

**Toilet:** Canvas White (415)

**Pull Knob:** Brushed Nickel (1440A), Platinum Nickel (1500A),  
Satin Brass\* (4270A)

\*Available October 2015

#### COMPONENTS

D24030A100.415 Tank

D23030A100.415 Elongated Bowl

5004A20G.415 Traditional Elongated Toilet Seat  
(included with bowl)

735205-400.415 Tank Cover (included)

7381646-200.XXXX Pull Knob

#### COMPLIANCE CERTIFICATIONS

Meets or Exceeds ASME A112.19.2/CSA B45.1

Includes Flush Performance, Ball Pass Diameter, Trap Seal  
Depth and all Dimensions

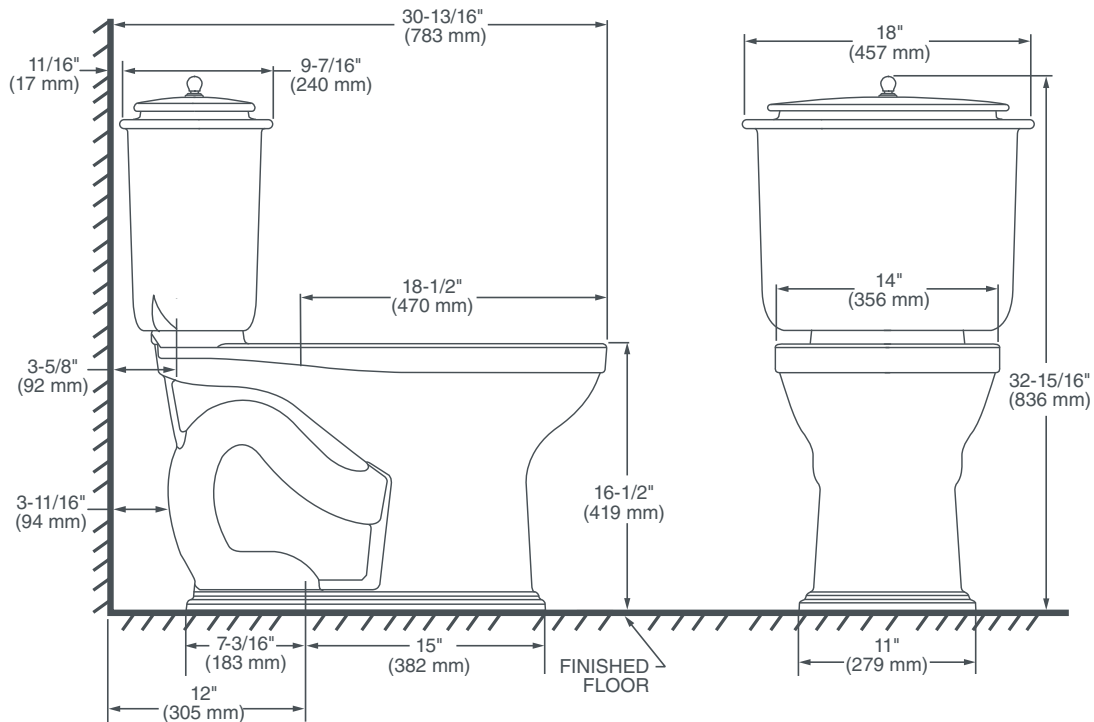
ROUGH IN DIAGRAM SHOWN  
ON NEXT PAGE



AMERICAN STANDARD

# OAK HILL™

## TWO-PIECE ELONGATED TOILET



### IMPORTANT:

Water supply on the wall is required at 3-3/4" or 9" from centerline of the toilet (see rough-in).

First suggested position is hidden behind the toilet. The geometry of the toilet gives space for this installation.

The second suggested position is next to the toilet. Between these two positions, the space for the supply between wall and toilet is limited to 3-1/4". In this case, check your supply and hose dimensions.

### NOTES:

This toilet is designed to rough-in at a minimum dimension of 12" (305 mm) from finished wall to C/L of outlet.

Supply not included with fixture and must be ordered separately.

\* Dimensions shown for location of supply is suggested.

### IMPORTANT:

Dimensions of fixtures are nominal and may vary within the range of tolerance established by ANSI Standard A112.19.2.

These measurements are subject to change or cancellation. No responsibility is assumed for use of superseded or voided pages.