

INSTALLATION INSTRUCTIONS

Oak Hill™

1.28 gpf / 4.8 Lpf 2-Piece Toilet

**D2203AA100: Oak Hill RH EL HET Combo,
12" Rough, Tank D24030A100 + Bowl D23030A100**

D23030A100: Oak Hill RH EL Bowl (with seat)

D24030A100: Oak Hill HET Tank, 12" Rough



AMERICAN STANDARD

Thank you for selecting DXV by American Standard. To ensure this product is installed properly, please read these instructions carefully before you begin. (Certain installations may require professional help.) Also be sure your installation conforms to local codes.

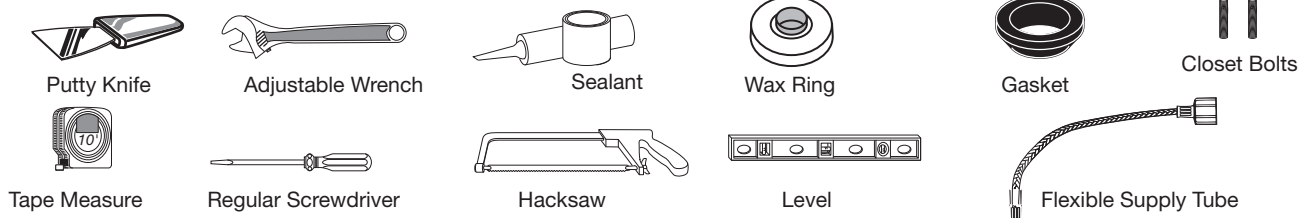
⚠ CAUTION: PRODUCT IS FRAGILE. TO AVOID BREAKAGE AND POSSIBLE INJURY HANDLE WITH CARE!

NOTE: Pictures may not exactly define contour of china and components.

ALL INSTALLATION PROCEDURES MUST COMPLY IN STRICT ACCORDANCE WITH APPLICABLE LOCAL PLUMBING AND BUILDING CODES

RECOMMENDED TOOLS AND MATERIALS

Most of the procedures require the use of common tools and materials, which are available from hardware and plumbing, supply stores. It is essential that the tools and materials be on hand before work is begun.



1 REMOVE OLD TOILET

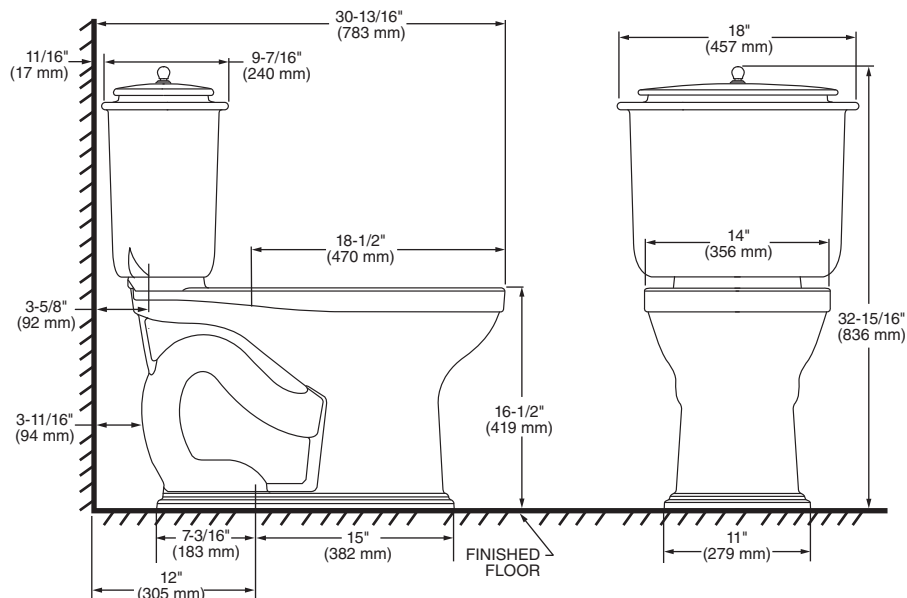
- Close toilet supply valve and flush tank completely. Towel or sponge remaining water from tank and bowl.
- Disconnect and remove supply line. **NOTE: If replacing valve, first shut off main water supply!**
- Remove old mounting hardware, remove toilet and plug floor waste opening to prevent escaping sewer gases.
- Remove closet bolts from flange and clean away old wax, putty, etc. from base area.

NOTE: Mounting surface must be clean and level before new toilet is installed!

ROUGHING-IN DIMENSIONS:

NOTE: Distance from wall to closet flange centerline must be as listed below:

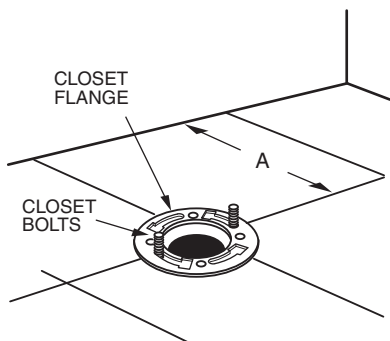
- For reference



IMPORTANT: Water supply on the wall is required at 3" (76 or 22 9mm) from centerline of the toilet (see rough-in). First suggested position is hidden behind the toilet. The geometry of the toilet gives space for this installation. The second suggested position is next to the toilet. Between these two positions, the space for the supply between wall and toilet is limited to 3-1/2" (89 mm). In this case, check your supply and hose dimensions.

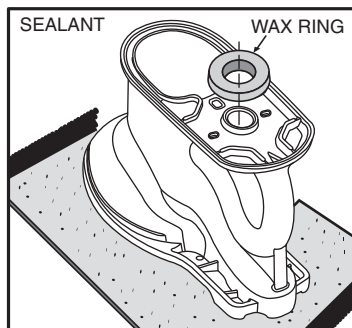
SAVE FOR FUTURE USE

2 INSTALL CLOSET BOLTS



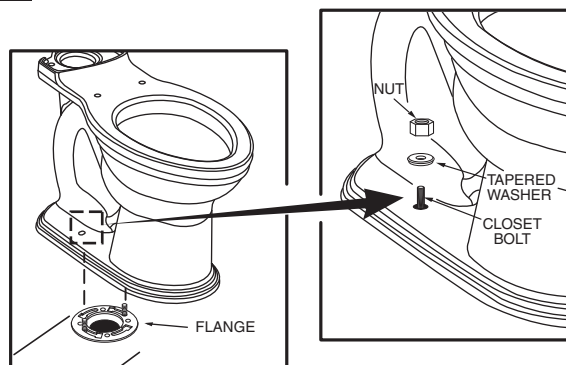
Install closet bolts in flange channel, turn 90°, and slide into place 6" (152 mm) apart and parallel to wall.

3 INSTALL WAX SEAL



Invert toilet on floor (cushion to prevent damage), and install wax ring evenly around waste flange (horn), with tapered end of ring facing toilet. Apply a thin bead of sealant around toilet base.

4 POSITION TOILET ON FLANGE



- Unplug floor waste opening and install toilet on closet flange so bolts project through mounting holes.
- Loosely install retainer washers and nuts. Side of washers marked "THIS SIDE UP" must face up!

5 INSTALL TOILET

- Position toilet squarely to wall and, with a rocking motion, press bowl down fully on wax ring and flange.

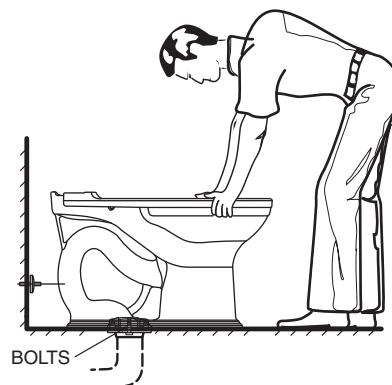
Alternately tighten nuts until toilet is firmly seated on floor.

CAUTION: DO NOT OVERTIGHTEN NUTS OR BASE MAY BE DAMAGED!

- Install bolt covers:

- Make sure that the bolt cover area on the toilet is clean and dry (see figure). Use a dry piece of cloth or soap and water if needed.
- Take plastic bolt cover and peel the brown protective film off on both ends. The adhesive part is now visible and ready to be placed on the toilet (see figure).
- Gently place the bolt cover on the toilet area (see picture) and if everything is aligned, push bolt cover firmly so it remains in place.
- If not aligned, you can still take it off and put it back so it is aligned.
- Repeat Step 3 for second bolt cover which is to be placed on opposite side of the toilet.
- After 24 hours, the bolt cover adhesive has completely set off and if needed, you can remove/replace as needed. The dual lock technology is now in place.

- Smooth off the bead of sealant around base. Remove excess sealant.



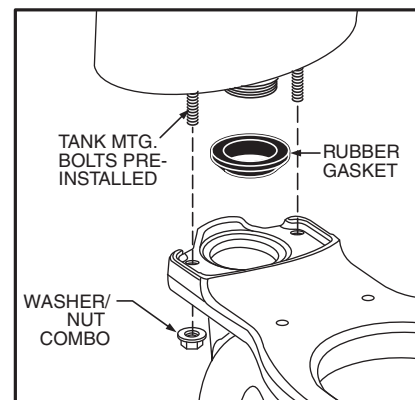
6 For Tanks/Bowls using Speed Connect System (Tank mounting bolts pre-installed). (152 mm) apart and parallel to wall.

INSTALL TANK

- Install large rubber gasket over threaded outlet on bottom of tank and lower tank onto bowl so that tapered end of gasket fits evenly into bowl water inlet opening, and tank mounting bolts go through mounting holes. Secure with metal washer/nut combo.
- With tank parallel to wall, alternately tighten nuts until tank is snugged down evenly against bowl surface.

***USE INCLUDED TOOL, NUT DRIVER, OR DEEP SOCKET RACHET.**

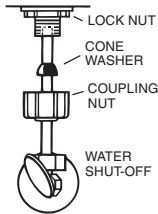
CAUTION: DO NOT OVERTIGHTEN NUTS MORE THAN REQUIRED FOR A SNUG FIT!



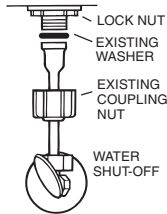
7 INSTALL TOILET SEAT: Install toilet seat in accordance with manufacturer's directions.

8a

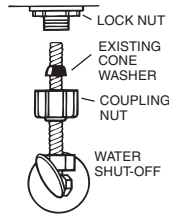
Before continuing, determine the type of water supply connection you have from the chart below and use the appropriate assembly parts required to properly reconnect the water supply. **DO NOT** use plumber's putty to seal these fittings.

METAL / COPPER FLARED TUBING

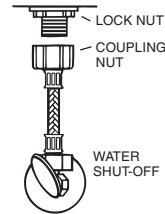
These parts must be used as illustrated to insure water-tight connection. Use of existing coupling nut may result in water leakage. Water supply tube or pipe must extend at least 1/2" inside threaded shank of valve (does not apply to flanged tubing).

METAL FLANGED TUBING

Use existing coupling nut and washer.

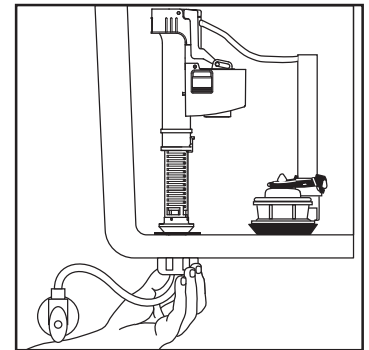
METAL SPIRAL TUBING

Use existing spiral cone washer. Fluidmaster cone washer may not seal completely on spiral type supply line.

VINYL / BRAIDED CONNECTOR

Captive cone washers already included. No additional washers needed.

- CAUTION:** DO NOT USE CONE WASHER WITH PLASTIC SUPPLY LINE.
- CAUTION:** Overtightening of LOCK NUT or COUPLING NUT could result in breakage and potential flooding.

8b

With correct washers in place (see Step 8a), tighten COUPLING NUT 1/4 turn beyond hand tight.

DO NOT OVERTIGHTEN.



WARNING: Do not use plumber's putty, pipe dope, or any other sealant on the water supply connection to this tank. If the connection leaks after hand tightening, replace the supply line. If the connection continues to leak with the new supply line, replace the fill valve.

Warranty is void if any type of sealant is used on the water supply connection.

9a

Connect chain clip to middle hole on pull lever.

9b

Turn on water supply and adjust water level to level indicated on tank by pushing down the inlet valve lock tab, turning upper body side of inlet valve counterclockwise, setting upper body of inlet valve at desired height, then turning upper body of inlet valve clockwise and pushing the lock tab up to lock the upper body of inlet valve.

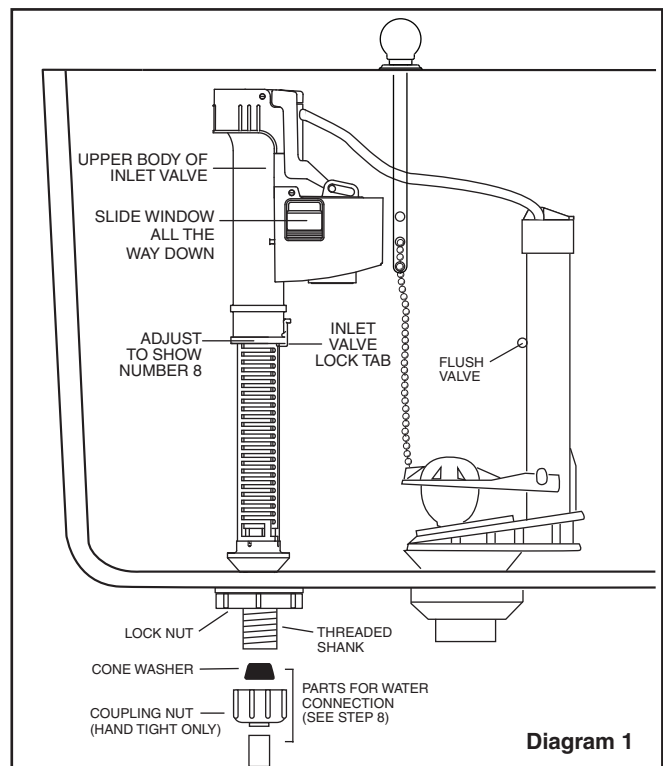


Diagram 1

PARTS LIST		ELONGATED COMBO NUMBER
Repair parts are determined by toilet tank number which can be found marked inside tank. NOTE: "XXX" represents color or trim finish options. Specify when ordering.		
PART NO.	DESCRIPTION	D2203AA.100 1.28 GPF
735206-400.XXX	TANK COVER	✓
034783-XXX0A	BOLT CAP KIT	✓
7381334-401.0070A	INLET VALVE ASSEMBLY	✓
738921-111.0070A	FLUSH VALVE ASSEMBLY WITH FLAPPER	✓
7301494-101.0070A	TANK TO BOWL KIT	✓
7381646-200.XXX0A	PULL LEVER	✓
7381335-200.0070A	REFILL TUBE	✓
5004A20G.XXX	SLOW CLOSE CONTEMPORARY ELONGATED SEAT	✓

TROUBLESHOOTING GUIDE		
PROBLEM	POSSIBLE CAUSE	CORRECTIVE ACTION
Does not flush	a. Water supply valve closed. b. Supply line blocked. c. Flush valve chain too loose or disconnected.	a. Open valve and allow water to fill tank. b. Shut off water supply, disconnect supply line and inspect all gaskets and washers. Reassemble. c. Readjust chain length as required.
Poor or sluggish flush	a. Bowl water level too low. b. Supply valve partly closed. c. Partially clogged trapway and/or drain pipe and/or vent. d. Supply pressure too low.	a. Check that refill tube is connected to water control and inserted into tank overflow without being kinked or damaged. b. Open supply valve fully. Be sure that proper supply tube size is used. c. Remove obstruction. Consult a plumber if necessary. d. Normal supply pressure must be at least 20 psi.
Toilet leaks	a. Poor supply line connection. b. Poor bowl to tank/floor connection.	a. Review Step 8 of installation procedure. b. Review Step 3 through 6 of installation procedure.
Toilet does not shut off	a. Flush valve chain too tight, holding flush valve open. b. Flush valve seat and/or flapper worn or deformed.	a. Readjust chain length as needed. Review Step 9. b. Shut off water supply. Replace flush valve.

In the United States:

DXV by American Standard
One Centennial Avenue
Piscataway, New Jersey 08855
Attention: Director of Customer Care

For residents of the United States, warranty information may also be obtained by calling the following toll free number: (800) 227-2734
www.DXV.com

In Canada:

DXV by American Standard
5900 Avebury Road
Mississauga, Ontario
L5R 3M3
Canada

Toll Free: 1-800-387-0369
Local: 905-306-1093
Fax: 1-800-395-1498
www.DXV.ca

In Mexico:

DXV by American Standard
Via Morelos 330
Col. Santa Clara Coatitla
Ecatepec, Estado de México 55540

Toll Free: 01-800-8391200
www.DXV.mx