

INSTALLATION INSTRUCTIONS



Oak Hill™ Lavatory

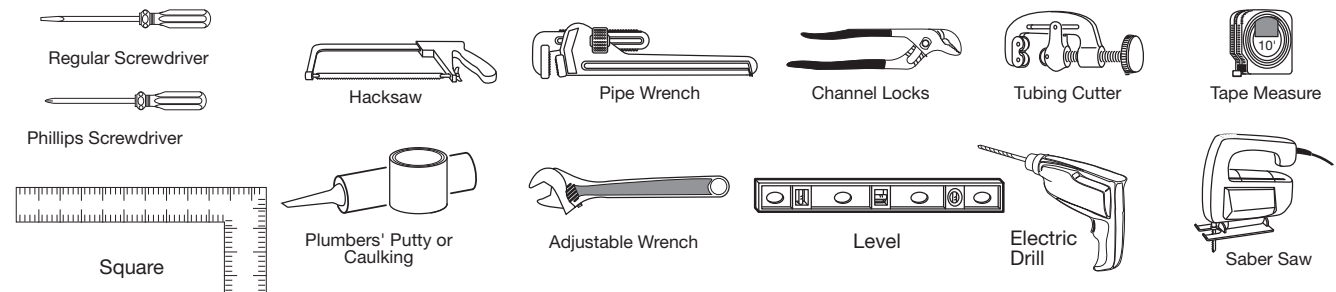
Model D20155

Thank you for selecting DXV. To ensure this product is installed properly, please read these instructions carefully before you begin. (Certain installations may require professional help.) Also be sure your installation conforms to local codes.

▲ CAUTION: PRODUCT IS FRAGILE. TO AVOID BREAKAGE AND POSSIBLE INJURY HANDLE WITH CARE!
NOTE: Pictures may not exactly define contour of china and components.

RECOMMENDED TOOLS AND MATERIALS

Most of the procedures require the use of common tools and materials, which are available from hardware and plumbing, supply stores. It is essential that the tools and materials be on hand before work is begun.



REPLACEMENT USE

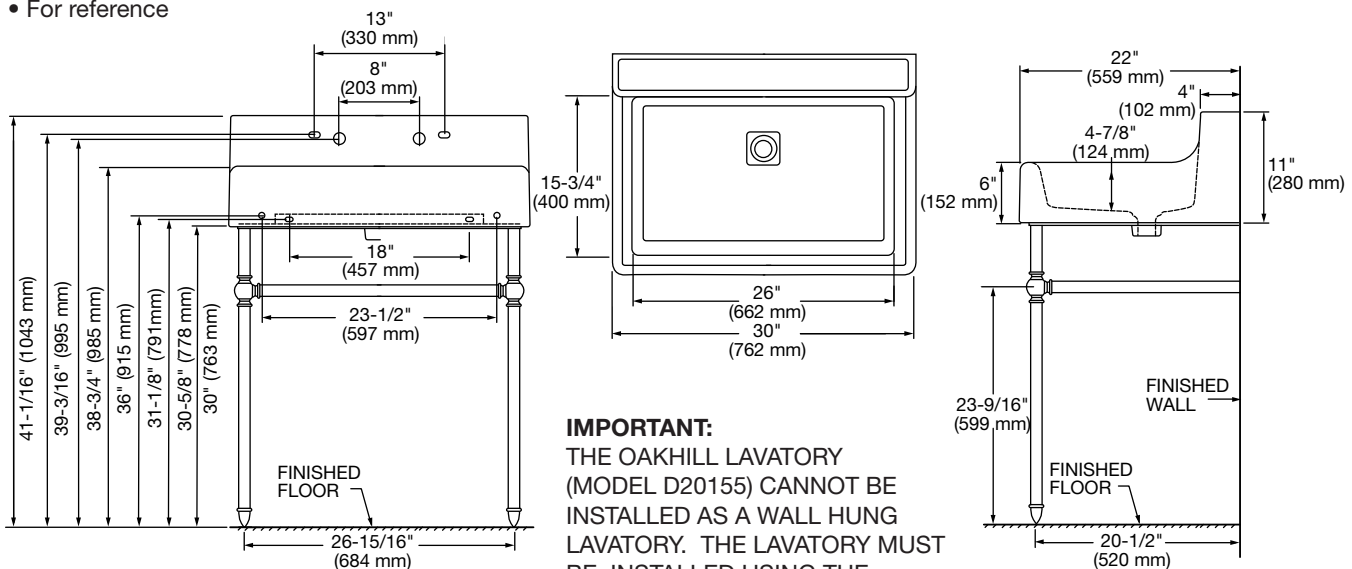
When replacing an original unit be sure to shut off water supply before removing the unit or disconnecting water supply lines and drain fittings. Original supply lines and shutoff valves should be replaced and used with fittings and adapters to match the hookups on the replacement unit.

▲ USE TEFLON SEALANT TAPE ON PIPE THREADS FOR WATERTIGHT CONNECTIONS!

ROUGHING-IN DIMENSIONS:

• For reference

30" CONSOLE - D21411030



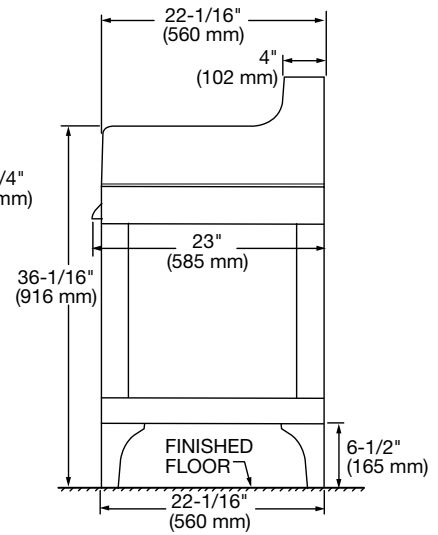
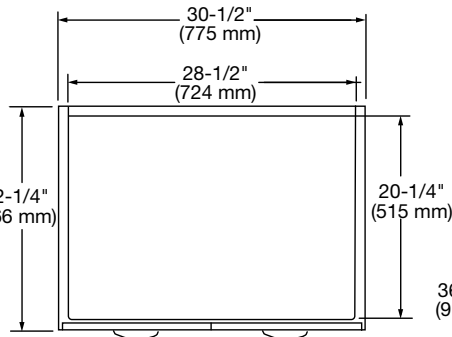
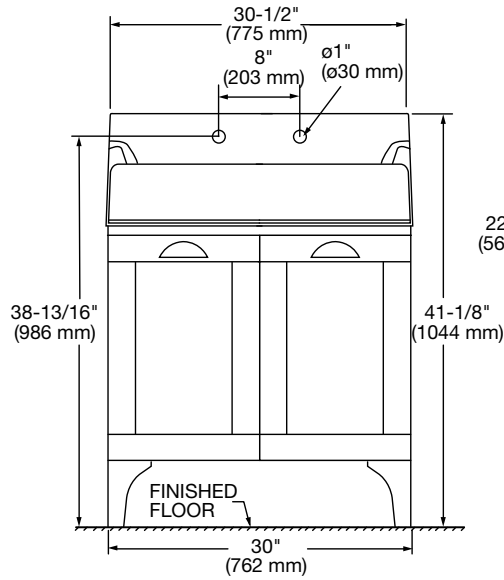
IMPORTANT:
THE OAKHILL LAVATORY (MODEL D20155) CANNOT BE INSTALLED AS A WALL HUNG LAVATORY. THE LAVATORY MUST BE INSTALLED USING THE OAK HILL CONSOLE STAND OR VANITY.

SAVE FOR FUTURE USE

ROUGHING-IN DIMENSIONS:

• For reference

VANITY - D19010030



IMPORTANT:
 THE OAKHILL LAVATORY (MODEL D20155) CANNOT BE INSTALLED AS A WALL HUNG LAVATORY. THE LAVATORY MUST BE INSTALLED USING THE OAKHILL CONSOLE STAND OR VANITY.

Installation	Lav #	Vanity #	Console #	Mounting Kit #	Drain Cover (optional, sold separately)
Vanity	D20155.002.415	D19010.030.XXX	—	7302080-100	D35155.040.XXX
Console	D20155.002.415	—	D21411.030.XXX	7302080-100	D35155.040.XXX

1 WALL PREPARATION:

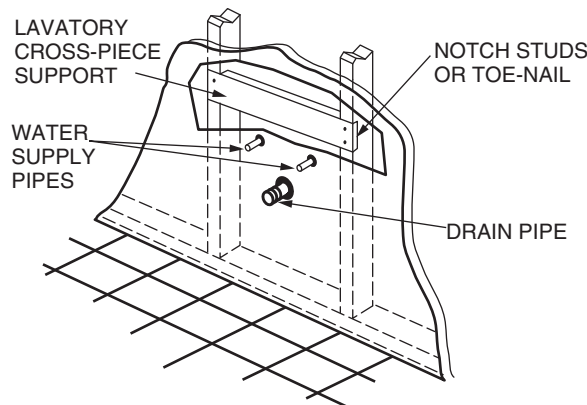
Lavatory Mounting Provisions - Whether the lavatory is used for replacement or new installation, the wall area behind the lavatory basin mounting holes must be reinforced to provide secure mounting for the new unit.

Preparing Wall for Lavatory Mounting

Optional: For non-masonry installation, crosspieces must be installed to reinforce the lavatory mounting surface to provide adequate support, install as described below.

1. Remove wallboard/covering from designated area.
2. Toenail 2" x 6" (51 mm x 152 mm) cross piece between studs (or notch studs to accept a 1" x 6" (25 mm x 152 mm) crosspiece, and attach securely). Place the lavatory into desired position and check height of mounting holes for dimensional location of horizontal crosspiece.
3. Replace wallboard/finished wall media.

INSTALLING CROSS-PIECE

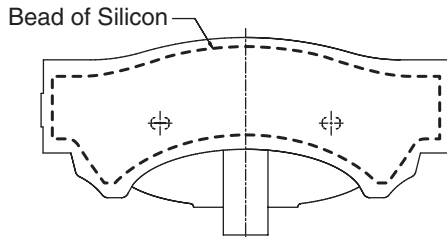


2 INSTALLING LAVATORY

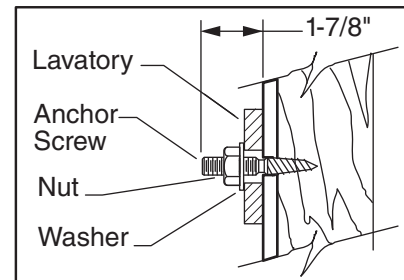
CAUTION: Lavatories are extremely heavy. For personal safety, always use extra person for installation.

1. Using level, draw a vertical line starting at the waste water return hole. Draw a horizontal line at the required dimension from floor. Check the dimension placing the lavatory and vanity/console legs into position. Mark and drill holes through the mounting holes along the horizontal line. Install lavatory anchor screws leaving 1-7/8" (48 mm) threaded end exposed as illustrated.

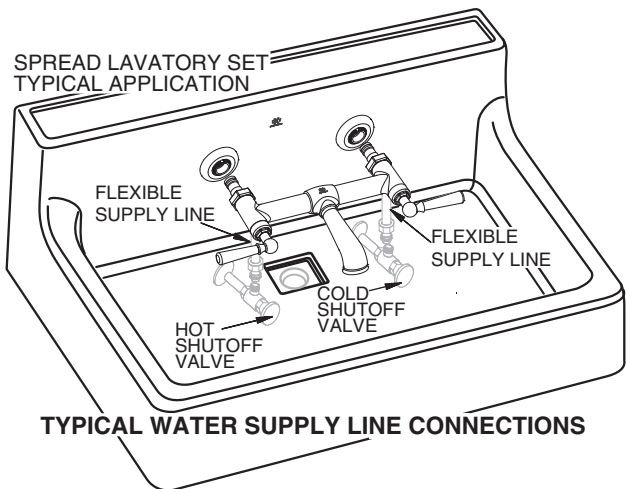
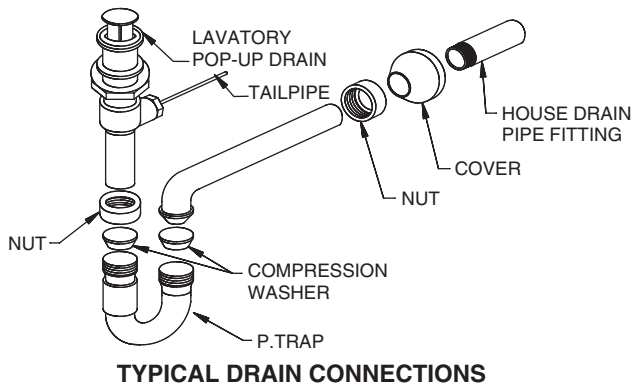
2. Apply a bead of silicon to the back of the lavatory. See Diagram.



Geometry shown is for illustration only and may not match product geometry.



3. Pre-assemble P-trap drain connections in accordance with manufacturer's instructions. Connect supply lines to shutoff valves and loosely install drain connections.



4. Loosely attach the lavatory to the wall at the anchor locations, while supported by vanity or console legs.

NOTE: The lavatory must be installed using the Oak Hill console stand or vanity. Please read the console/vanity instructions before installation.

INSTALLATION PROCEDURES

Typical installation includes installation of faucet, connection of flexible water supply lines, attachment of basin to countertop, sizing and installation of drain to house water system.

NOTE: THIS LAVATORY CAN NOT BE INSTALLED AS A WALL HUNG LAVATORY. THE LAVATORY MUST BE INSTALLED USING THE OAK HILL CONSOLE STAND OR VANITY ONLY.

PART

7301531-100 — Mounting Kit

In the United States:

DXV
One Centennial Avenue
Piscataway, New Jersey 08855
Attention: Director of Customer Care

For residents of the United States, warranty information may also be obtained by calling the following toll free number: (800) 227-2734
www.DXV.com

In Canada:

DXV
5900 Avebury Road
Mississauga, Ontario
L5R 3M3
Canada

Toll Free: 1-800-387-0369
Local: 905-306-1093
Fax: 1-800-395-1498
www.DXV.ca

In Mexico:

DXV
Via Morelos 330
Col. Santa Clara Coatitla
Ecatepec, Estado de México 55540

Toll Free: 01-800-8391200
www.DXV.mx