

INSTALLATION INSTRUCTIONS

Orchard™ Apron Kitchen Sinks

20" Sink model #D20100000

24" Sink model #D20101000

30" Sink model #D20102000

33" Sink model #D20103000



AMERICAN STANDARD

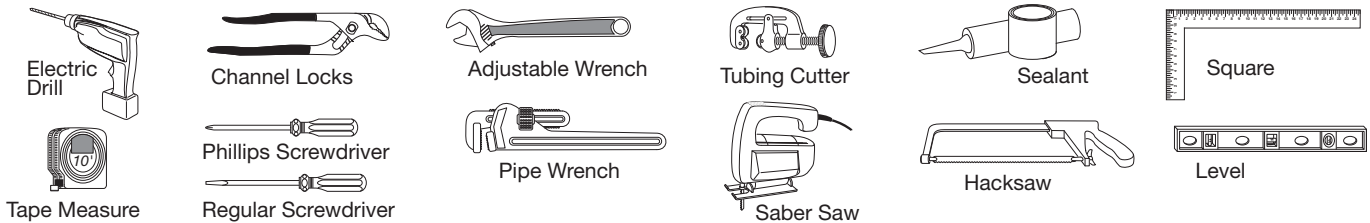
Thank you for selecting DXV by American Standard. To ensure this product is installed properly, please read these instructions carefully before you begin. (Certain installations may require professional help.) Also be sure your installation conforms to local codes.

▲ CAUTION: PRODUCT IS FRAGILE. TO AVOID BREAKAGE AND POSSIBLE INJURY HANDLE WITH CARE!

NOTE: Pictures may not exactly define contour of china and components.

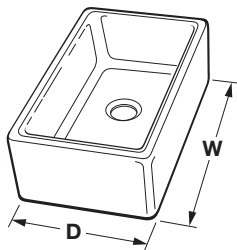
RECOMMENDED TOOLS AND MATERIALS

Most of the procedures require the use of common tools and materials, which are available from hardware and plumbing, supply stores. It is essential that the tools and materials be on hand before work is begun.



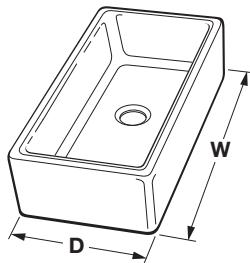
SINK MODELS

20" Model
No. D20100.000



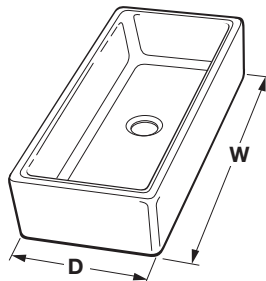
D: 16-1/2" (419mm)
W: 20-1/8" (511mm)

24" Model
No. D20101.000



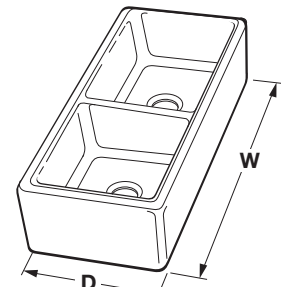
D: 18-1/16" (460 mm)
W: 24" (612 mm)

30" Model
No. D20102.000



D: 18-1/16" (460 mm)
W: 30" (764 mm)

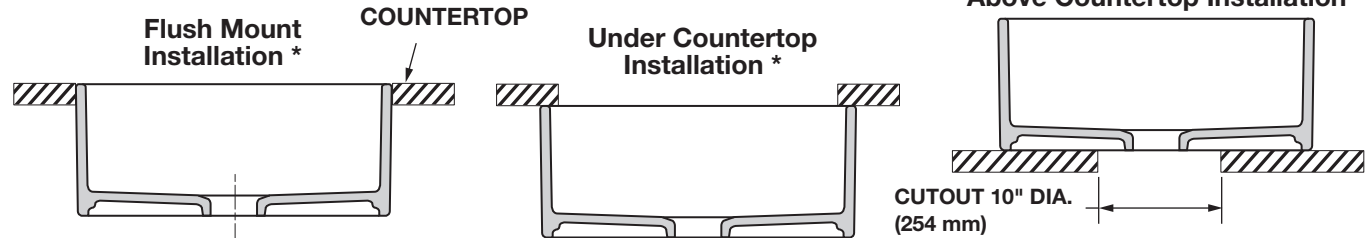
33" Model
No. D20103.000



D: 18-1/16" (460 mm)
W: 33-3/8" (847 mm)

These sinks accommodate standard 3-1/2" (89mm) sink outlet drain.

MOUNTING OPTIONS



* NOTE: Chinaware dimensions can vary. Please use the actual size of the sink that you will be installing in order to determine the cutout dimensions for your countertop.

REPLACEMENT USE

When replacing an original unit be sure to shut off water supply before removing the lavatory or disconnecting water supply lines and drain fittings. Original supplies and shutoff valves should be replaced on installation.

SAVE FOR FUTURE USE

INSTALLATION PROCEDURES

Typical installation includes cabinet support preparation, installation of faucet and pop-up drain, connection of flexible water supply lines, attachment of sink to cabinet, sizing and installation of drain, supplies to house water system.

Sink Mounting Provisions – Whether the sink is used for replacement or new installation, the cabinet area beneath the sink must be reinforced to provide sufficient support. The wood support frame for the sink must support 400 pounds (approximate weight of sink when full and a garbage disposal installed).

CABINET SUPPORT PREPERATION

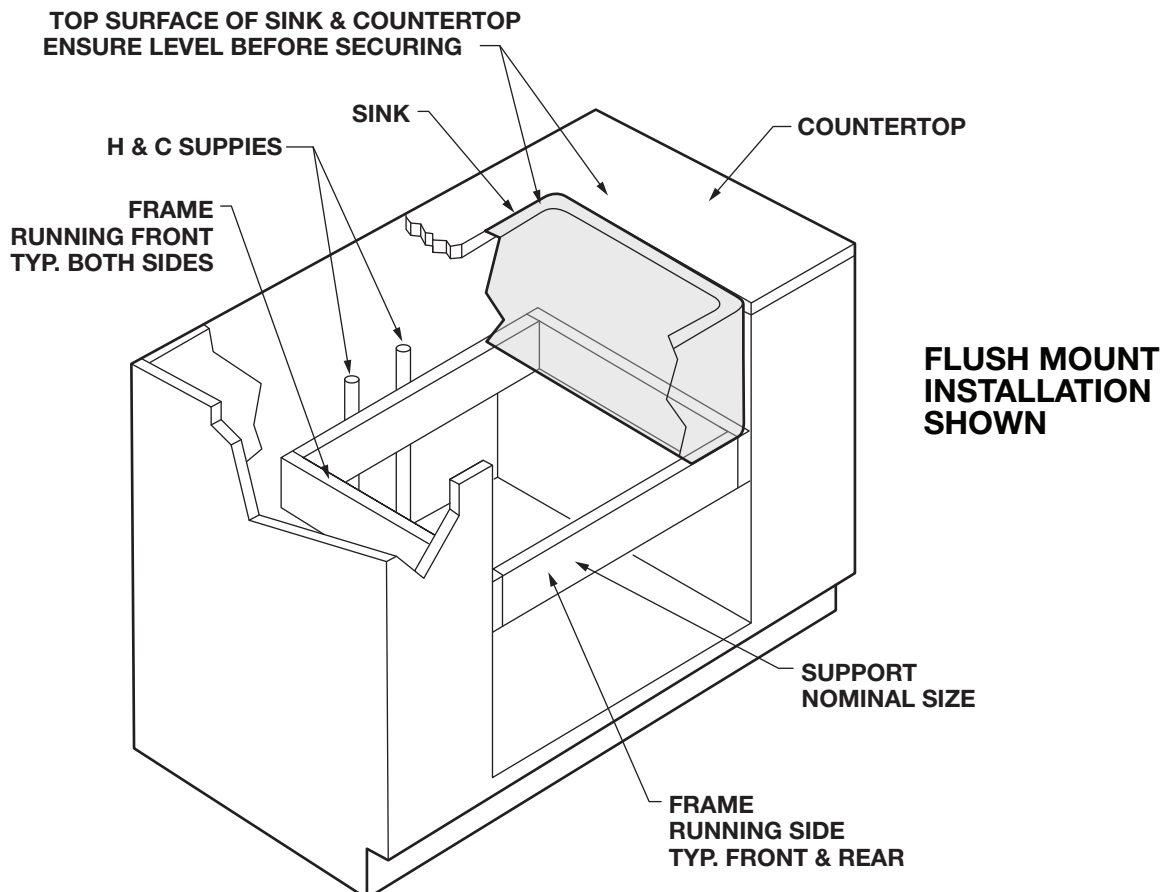
Important Note:

This installation assumes the use of a custom cabinet and countertop design. It is not designed for use with standard base cabinets or standard countertops. Installation must be performed by a professional cabinet maker and shall be in accordance with all local plumbing and building codes requirements.

FLUSH MOUNT or UNDER COUNTERTOP INSTALLATIONS (See page 7 for above counter top installation)

1 DETERMINE MOUNTING OPTIONS

Determine if the sink will be flush mounted or under countertop mounted. **Next measure the actual size of the sink being installed to determine cabinet opening dimensions and support frame location.** The cabinet opening should equal the maximum dimensions of the sink to ensure a minimum gap between the sink apron and the cabinet. Support frame location is determined by type of sink installation being performed.



2 SUPPORT FRAME

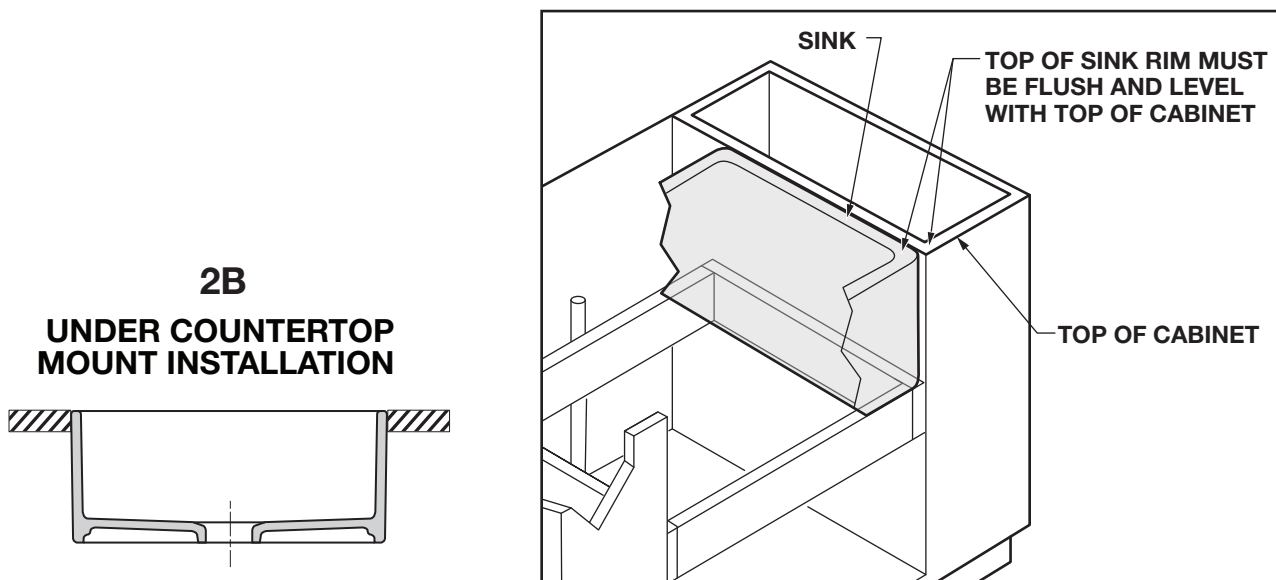
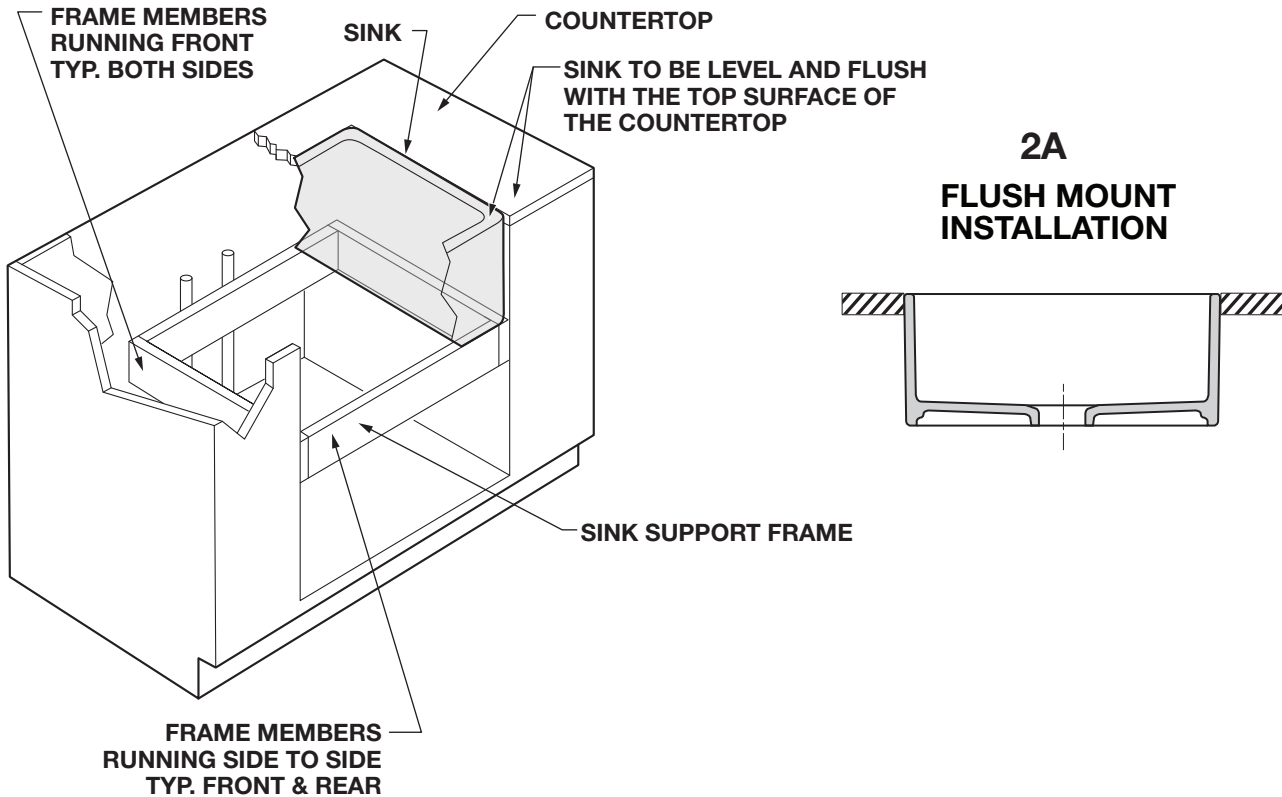
Construct a support frame to fit inside the cabinet opening. Ensure you provide proper clearance for faucet, water supply lines, drain assembly, garbage disposal mounting system and the structural parts of the cabinet.

Flush Mount Installation Note:

Ensure to install the support frame so that the top rim of the sink, (when placed within the frame), will be level and flush with the top surface of the countertop, (when countertop is installed). See diagram **2A** below.

Under Countertop Mount Installation Note:

Ensure to install the support frame so that the top rim of the sink (when placed within the frame) is level and flush with top surface of the cabinet. (Top of sink rim must be flush and level with top of cabinet in order to obtain proper contact with the underside of the countertop). See diagram **2B** below.

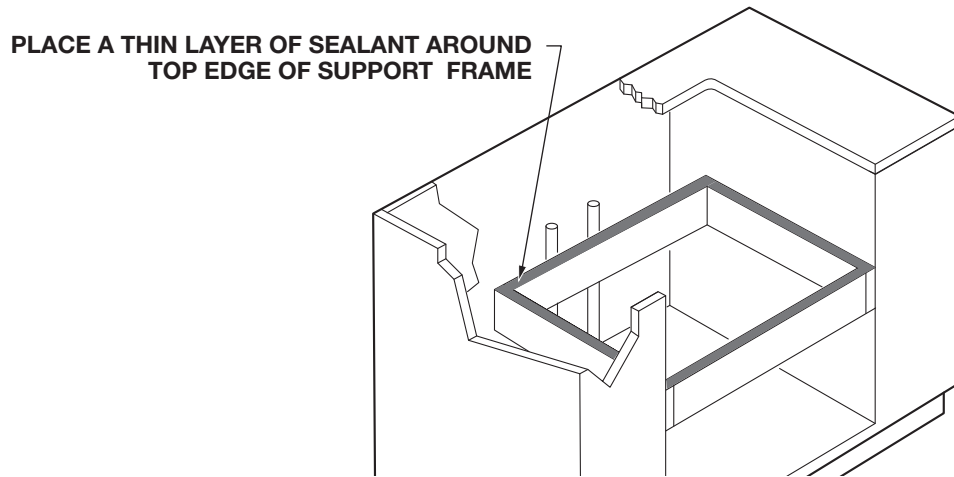


3 SINK INSTALLATION

**CAUTION: Sinks are extremely heavy.
For personal safety, always use extra personal for installation.**

STEP 1. Carefully set the sink within the support frame and position in center of cabinet opening. If flush mounted ensure that the sink top rim surface is level and flush with the countertop top surface, (when countertop is installed). If under countertop mounted ensure that the sink top rim is level and flush with cabinet top surface. Check clearance around sink apron and ensure sink is centered within cabinet opening. Ensure sink base is making proper contact with support frame. Adjust or shim as needed to obtain proper sink position and fit.

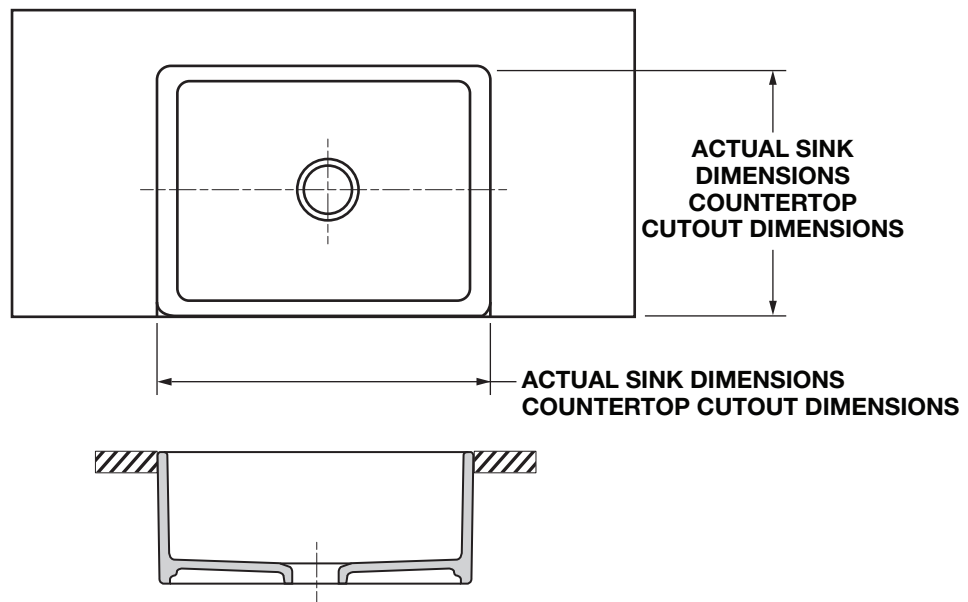
STEP 2. Carefully remove sink and place a thin layer of sealant around top edge of support frame where the sink and frame will make contact. Then replace sink back into position. See diagram below.



4A FLUSH MOUNT INSTALLATION

Using carpenters square carefully measure and mark the location of the cutout opening in the countertop. Flush mount cutout opening is determined from the actual sink size. The cutout opening should equal the maximum dimensions of the sink to ensure a minimum gap between the sink and the countertop opening.

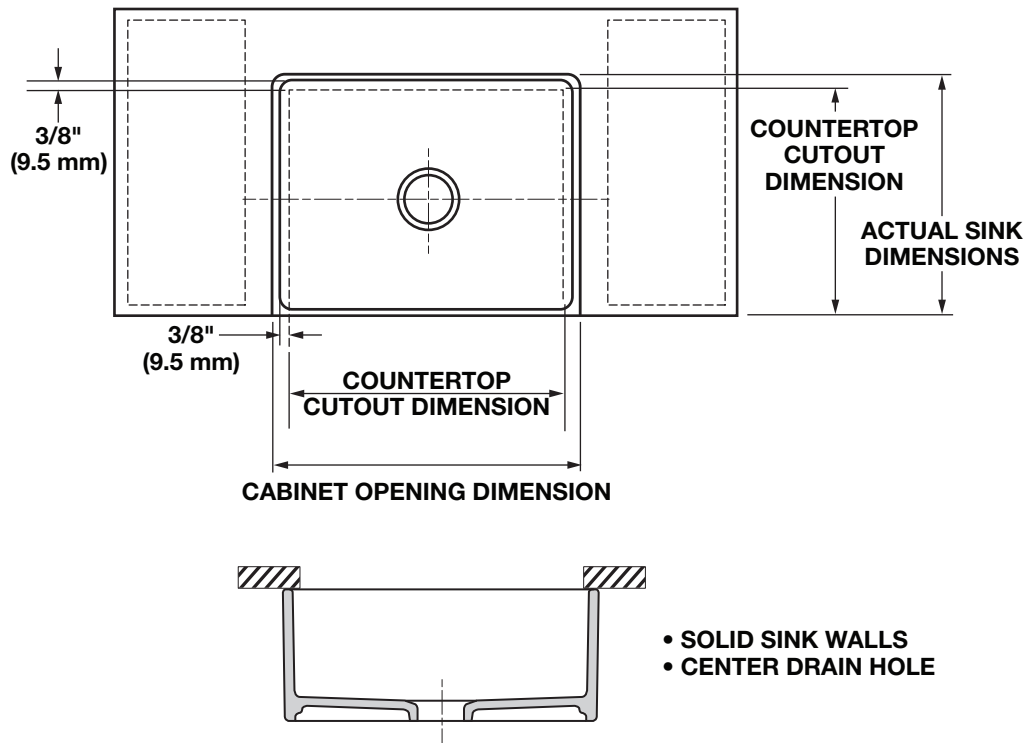
Note: Check dimensions on first page as a reference and measure the sink being installed.



4B UNDER COUNTERTOP INSTALLATION

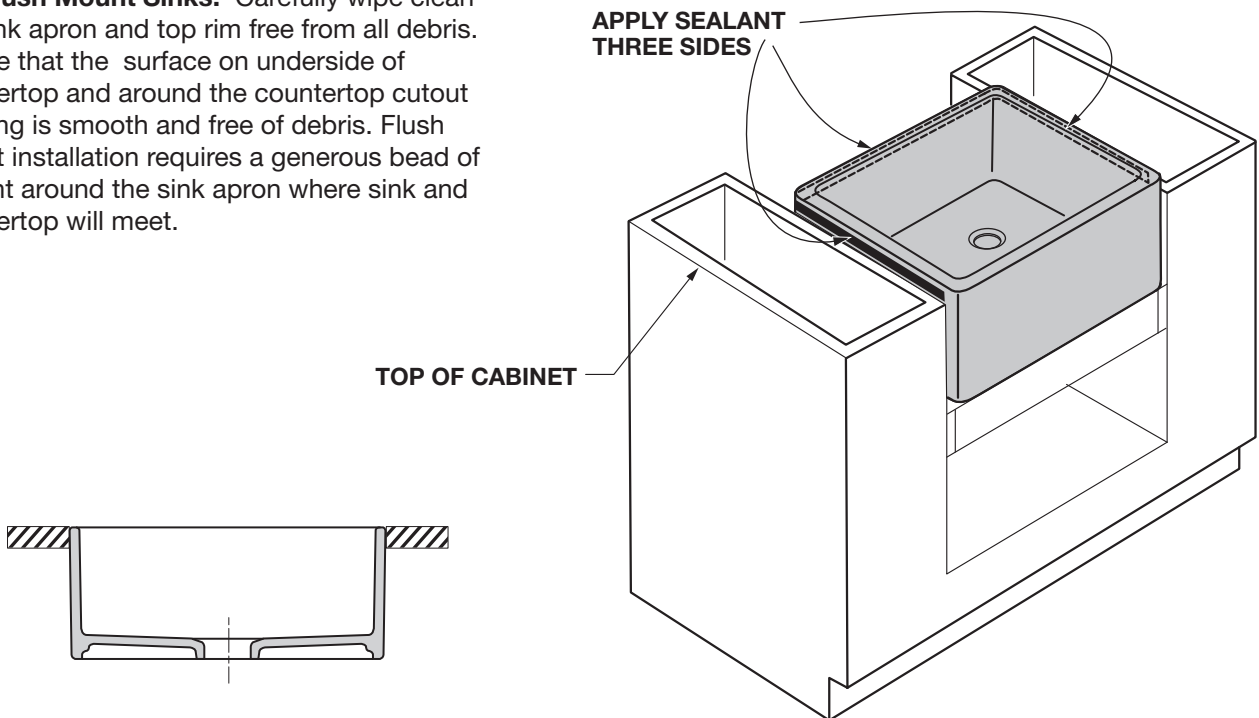
Under countertop mount cutout opening is determined by cabinet opening and should be $\frac{3}{8}$ " (9.5mm) smaller than the inner sides of sink and from back of sink apron. Carefully cut out the countertop opening, opening must be adequately finished and sealed to prevent damage from water absorption.

Note: Check dimensions on first page as a reference and measure the sink being installed.



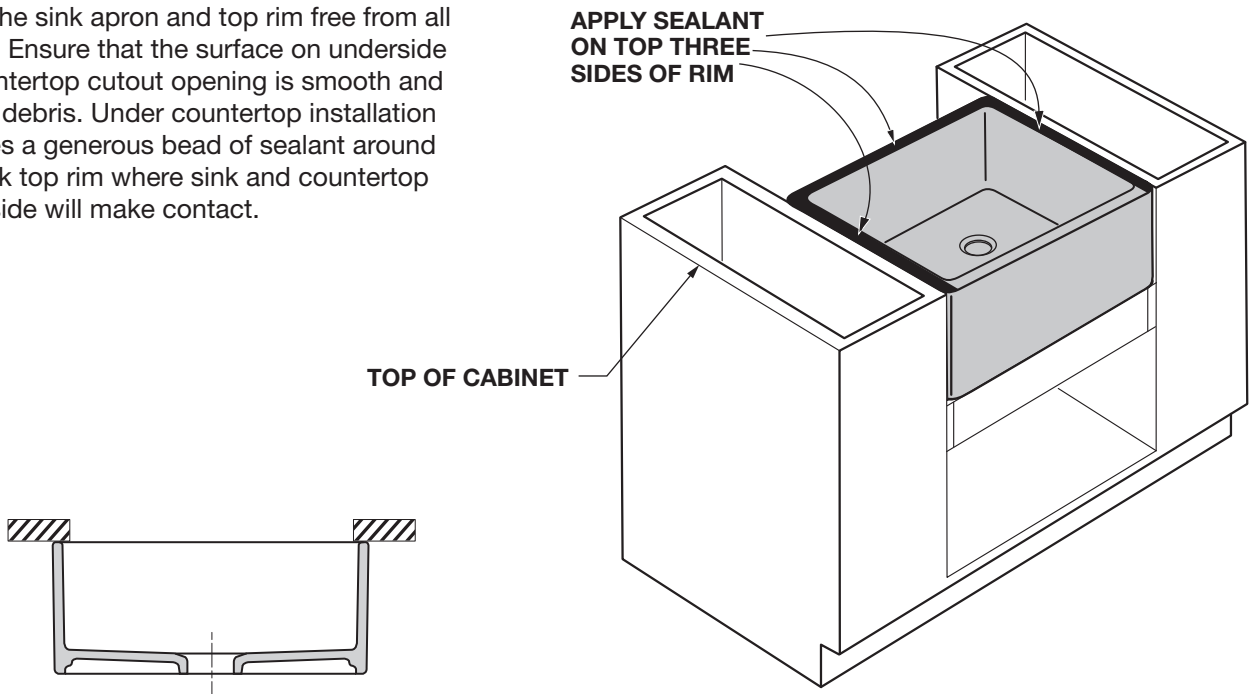
5A APPLY SEALANT

For Flush Mount Sinks: Carefully wipe clean the sink apron and top rim free from all debris. Ensure that the surface on underside of countertop and around the countertop cutout opening is smooth and free of debris. Flush mount installation requires a generous bead of sealant around the sink apron where sink and countertop will meet.



5B APPLY SEALANT

For Under Countertop Sinks: Carefully wipe clean the sink apron and top rim free from all debris. Ensure that the surface on underside of countertop cutout opening is smooth and free of debris. Under countertop installation requires a generous bead of sealant around the sink top rim where sink and countertop underside will make contact.

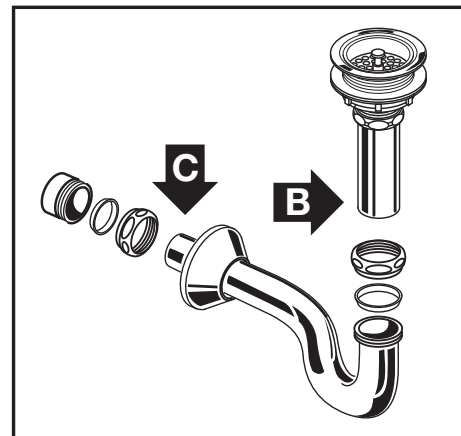


6 INSTALL COUNTERTOP

Carefully position and install the countertop. Ensure the sealant provides a complete seal between the sink and the countertop surface. Fill any voids and wipe excess away with soft damp cloth.

7 ASSEMBLE AND INSTALL P-TRAP AND DRAIN CONNECTIONS

Assemble and install P-trap drain connections in accordance with manufacturer's instructions. Connect trap to drain assembly hand tight to check alignment. It may be necessary to cut off part of the tailpiece (area "B") or part of the horizontal leg of the trap (area "C"). Secure joints for watertight assembly.



8 INSTALL FAUCET

Carefully locate and install faucet to countertop in accordance with manufacturer's instructions. Ensure you provide adequate clearance for supply lines and faucet operation.

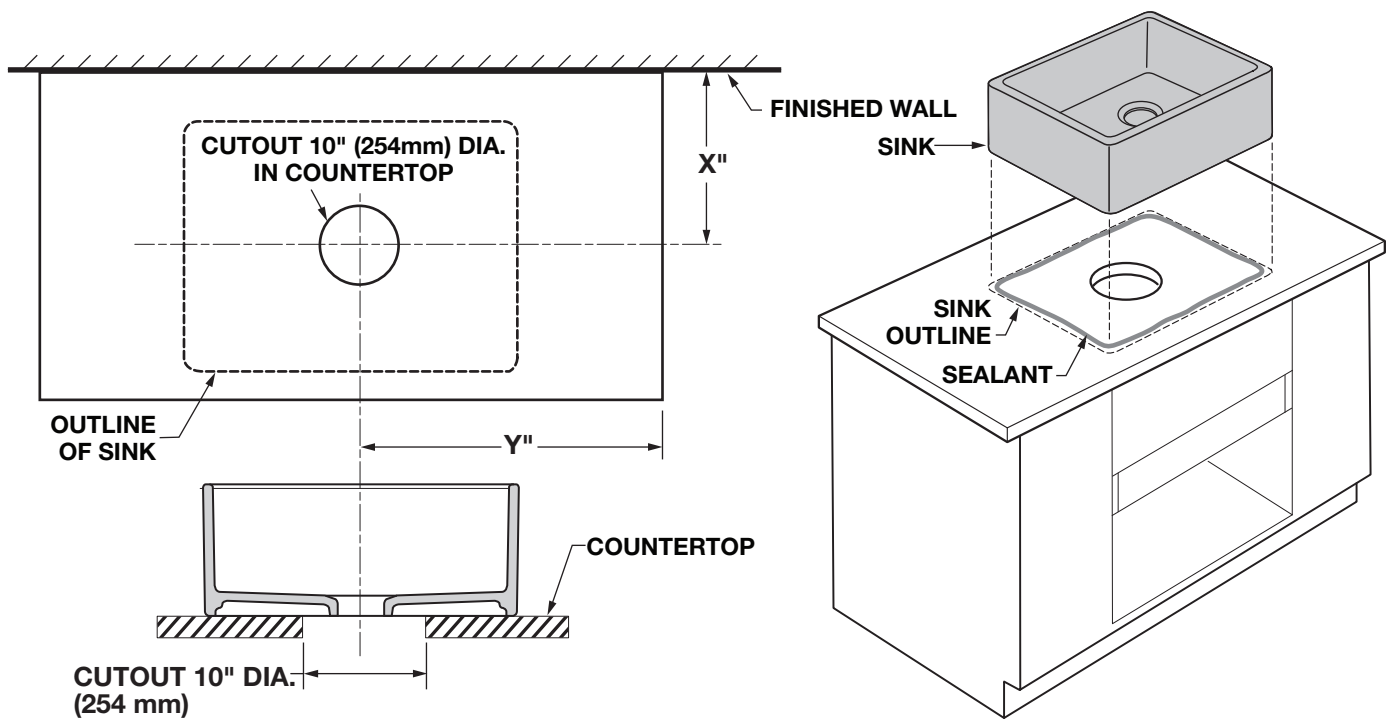
Connect supply lines to shutoff valves. Turn on water supply valves and water-test installation.

I ABOVE COUNTERTOP SINK INSTALLATION

Step 1. Position sink in place. Mark the center of the drain on the countertop as a guide for the installation location, allowing sufficient distance to the finished wall based on faucets chosen (Deck mount or Wall mount).

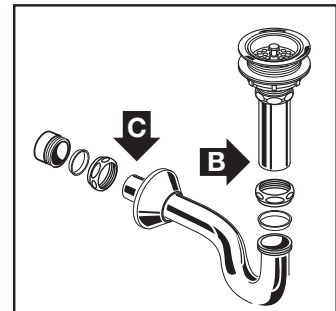
Step 2. Mark a 10 inch (254 mm) cut-out diameter on the counter centered on the mark. Drill a clearance hole inside the perimeter line and then cut opening around the perimeter. Use appropriate cutting tool for countertop material.

Step 3. Place a layer of sealant around the bottom edge of the sink where the sink and counter will make contact. Then replace sink back into position. You can also carefully mark the perimeter of the sink on the counter and apply the sealant on the counter instead of applying it on the bottom edge of the sink. Fill any voids and wipe excess away with soft damp cloth.



II ASSEMBLE AND INSTALL P-TRAP AND DRAIN CONNECTIONS

Assemble and install P-trap drain connections in accordance with manufacturer's instructions. Connect trap to drain assembly hand tight to check alignment. It may be necessary to cut off part of the tailpiece (area "B") or part of the horizontal leg of the trap (area "C"). Secure joints for watertight assembly.

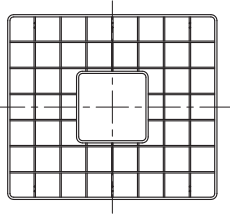


III INSTALL FAUCET

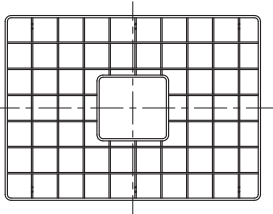
Carefully locate and install faucet to countertop in accordance with manufacturer's instructions. Ensure you provide adequate clearance for supply lines and faucet operation.

Connect supply lines to shutoff valves. Turn on water supply valves and water-test installation.

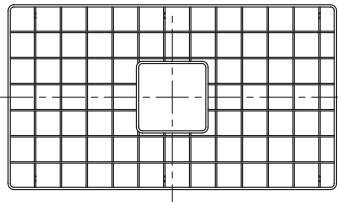
PARTS



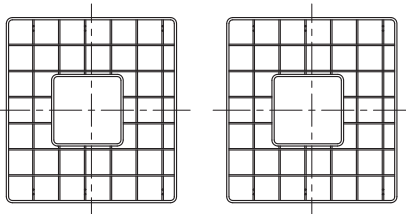
7301838-401.0750A Stainless Steel Bottom Rack for 20" Sink



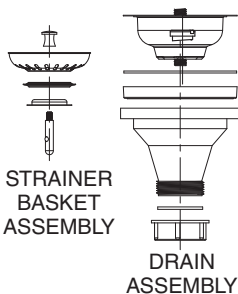
7301774-401.0750A Stainless Steel Bottom Rack for 24" Sink



7301775-401.0750A Stainless Steel Bottom Rack for 30" Sink



7301776-401.0750A Stainless Steel Bottom Rack (2) for 33" Sink



7301839-201.0020A Strainer Basket Assembly

In the United States:

DXV by American Standard
One Centennial Avenue
Piscataway, New Jersey 08855
Attention: Director of Customer Care

For residents of the United States, warranty information may also be obtained by calling the following toll free number: (800) 227-2734
www.DXV.com

In Canada:

DXV by American Standard
5900 Avebury Road
Mississauga, Ontario
L5R 3M3
Canada

Toll Free: 1-800-387-0369
Local: 905-306-1093
Fax: 1-800-395-1498
www.DXV.ca

In Mexico:

DXV by American Standard
Via Morelos 330
Col. Santa Clara Coatitla
Ecatepec, Estado de México 55540

Toll Free: 01-800-8391200
www.DXV.mx