

INSTALLATION INSTRUCTIONS



AMERICAN STANDARD

Lyndon® Wall Mount Lavatory

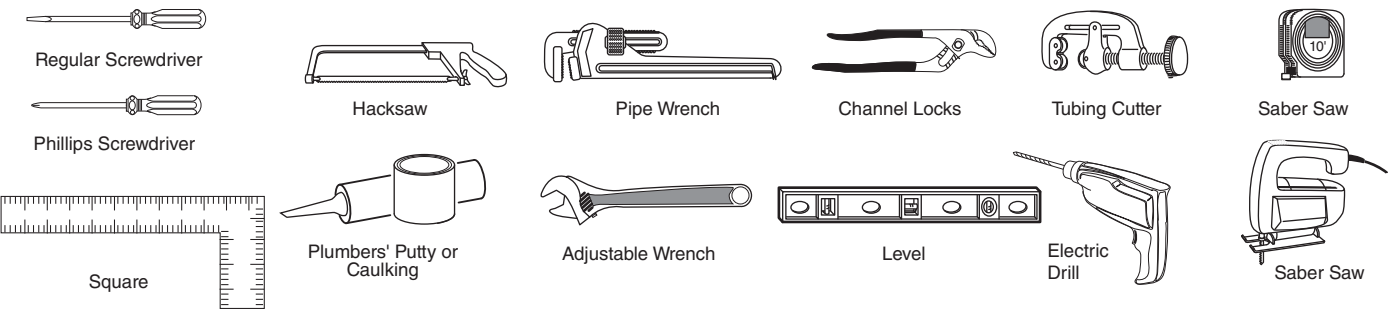
Model D20075
D20076
D20077

Thank you for selecting DXV by American Standard. To ensure this product is installed properly, please read these instructions carefully before you begin. (Certain installations may require professional help.) Also be sure your installation conforms to local codes.

▲ CAUTION: PRODUCT IS FRAGILE. TO AVOID BREAKAGE AND POSSIBLE INJURY HANDLE WITH CARE!
NOTE: Pictures may not exactly define contour of china and components.

RECOMMENDED TOOLS AND MATERIALS

Most of the procedures require the use of common tools and materials, which are available from hardware and plumbing supply stores. It is essential that the tools and materials be on hand before work is begun.



REPLACEMENT USE

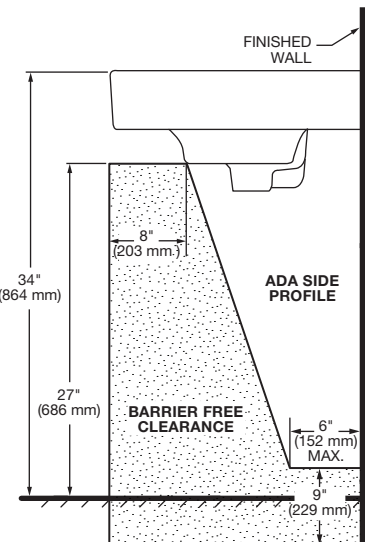
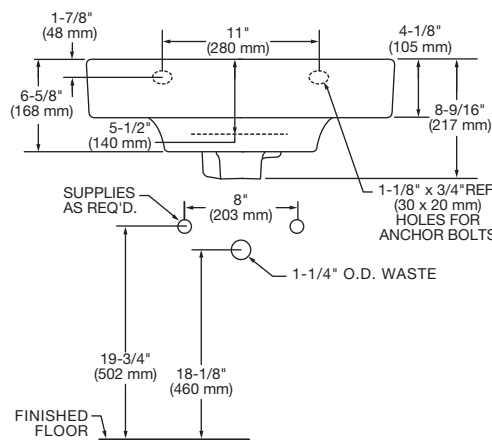
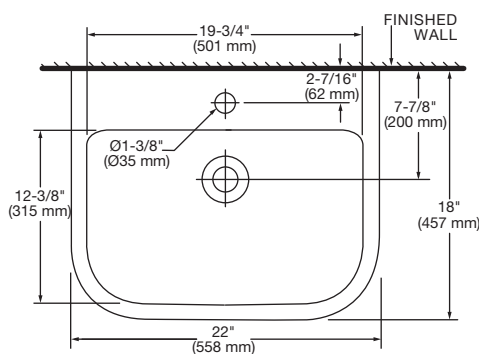
When replacing an original unit be sure to shut off water supply *before* removing the unit or disconnecting water supply lines and drain fittings. Original supply lines and shutoff valves should be replaced and used with fittings and adapters to match the hookups on the replacement unit.

▲ USE TEFLON SEALANT TAPE ON PIPE THREADS FOR WATERTIGHT CONNECTIONS!

ROUGHING-IN DIMENSIONS:

• For reference

Model D20075

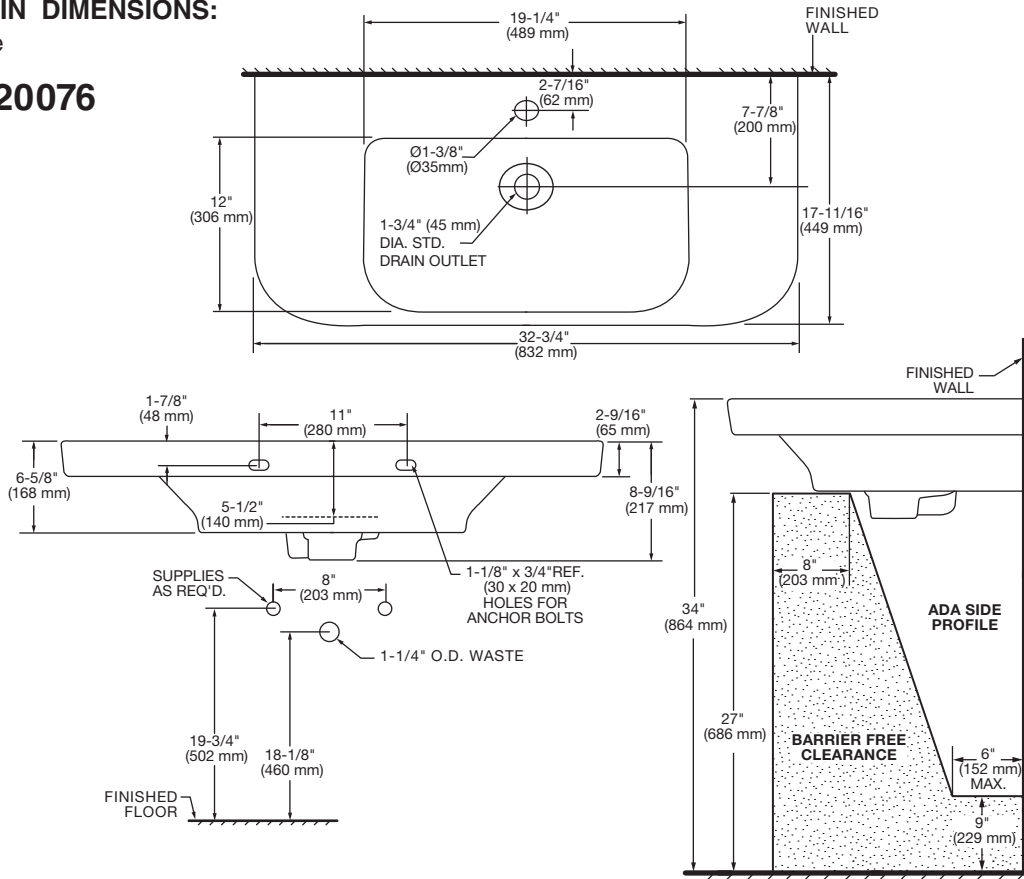


USE
FOR
FUTURE
SAVE

ROUGHING-IN DIMENSIONS:

• For reference

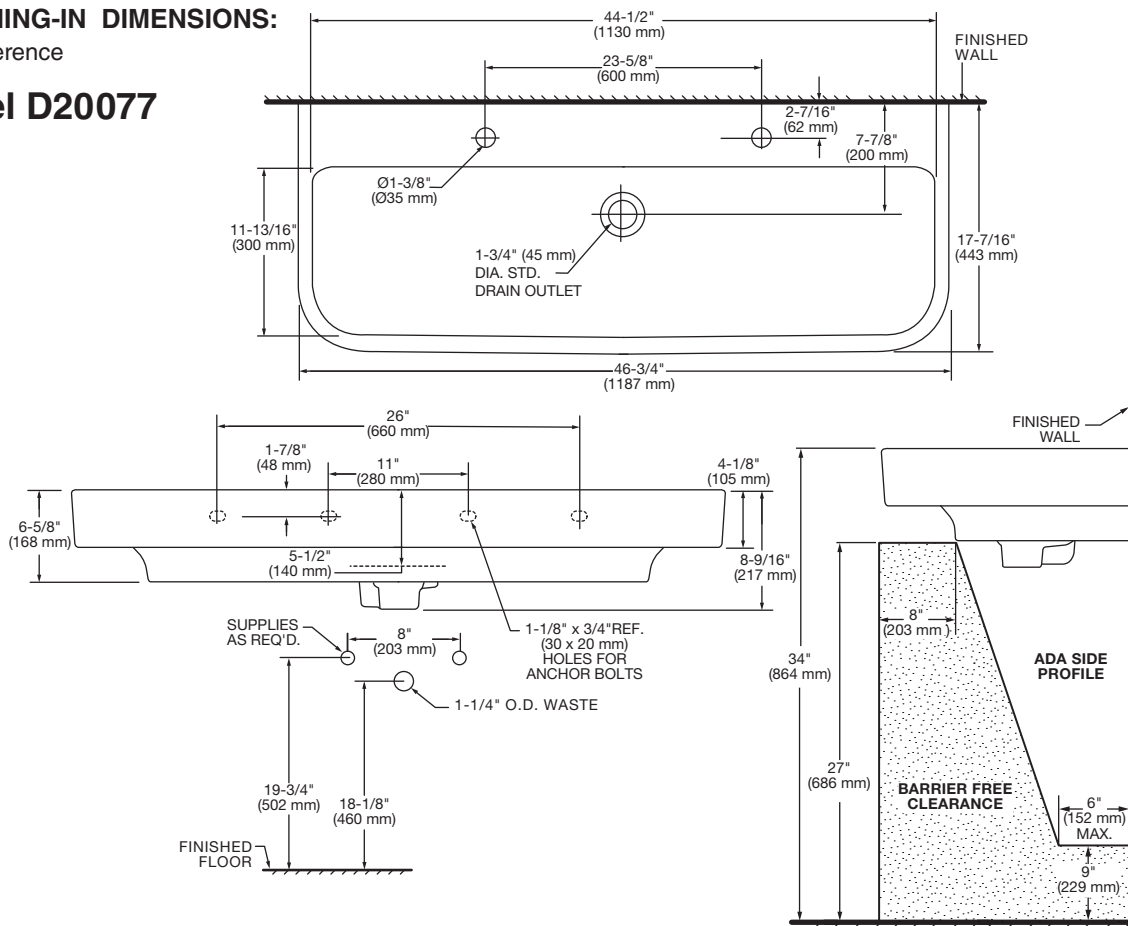
Model D20076



ROUGHING-IN DIMENSIONS:

• For reference

Model D20077



Installation: WH=Wallhung	Installation Options	Combo	Lav #	Ped #	Mounting Kit #
One Hole 22" Lavatory - CWH	WH	---	D20075.001	---	7302080-100
One Hole 33" Lavatory - CWH	WH	---	D20076.001	---	7302080-100
Two Hole 47" Lavatory - CWH	WH	---	D20077.002	---	7302080-100
One Hole 47" Lavatory - CWH	WH	---	D20077.001	---	7302080-100

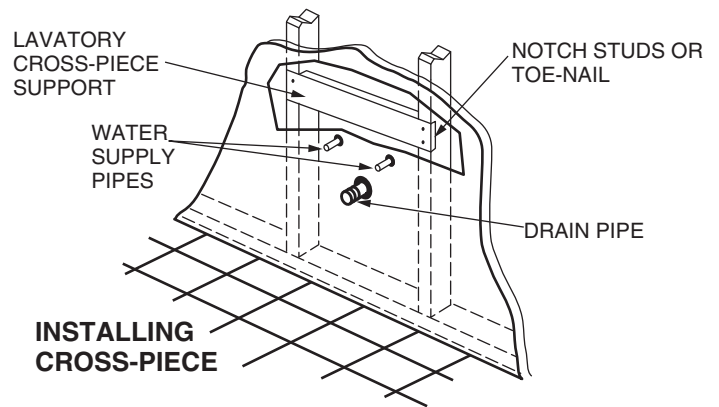
1 WALL PREPARATION:

Typical installation includes wall preparation, installation of faucet and pop-up drain, supplies to house water system.

Lavatory Mounting Provisions - Whether the lavatory is used for replacement or new installation, the wall area behind the lavatory basin mounting holes must be reinforced to provide secure mounting for the new unit.

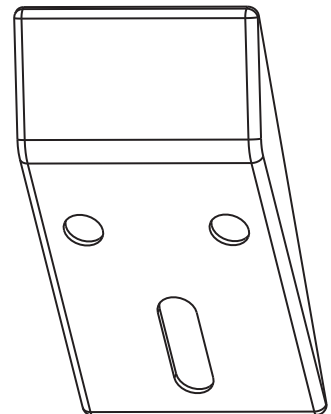
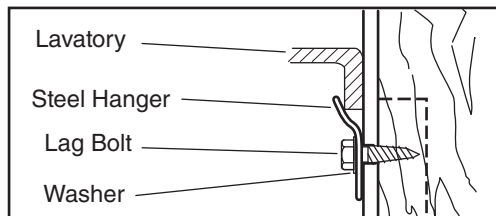
Preparing Wall for Lavatory Mounting

1. Remove wallboard/covering from designated area.
2. Toenail 2" x 6" (51 mm x 152 mm) cross piece between studs (or notch studs to accept a 1" x 6" (25 mm x 152 mm) crosspiece, and attach securely). Place the lavatory into desired position and check height of mounting holes for dimensional location of horizontal crosspiece.
3. Replace wallboard/finished wall media.

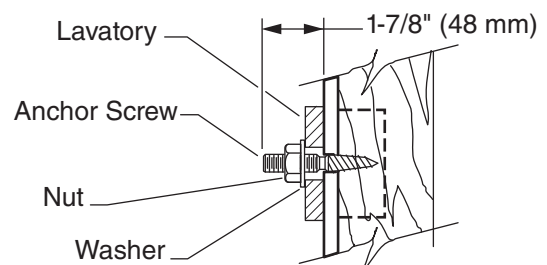


2 EXTRA STEP FOR LAVATORIES SUPPLIED WITH A STEEL HANGER

IMPORTANT: Final assembly of nut and washer or lag bolt method shown for reference only.



- 3 Install lavatory anchor screws on the wall leaving 1-7/8" (48 mm) threaded end exposed as illustrated.



INSTALLATION PROCEDURES

Typical installation includes installation of faucet, connection of flexible water supply lines, attachment of basin to countertop, sizing and installation of drain to house water system.

INSTALLING BASIN

- STEP 1.** Using carpenter's square ensure that the countertop is level. Next, carefully position the lavatory in the desired location for the basin. Ensure you have provided proper clearance under the countertop for the faucet, supply lines, drain assembly and the structural parts of the cabinet. Mark desired drain and faucet location on countertop with pencil. Please refer to faucet installation instructions to verify desired faucet rough-in areas.
- STEP 2.** Drill a 4" (102mm) hole at drain location. Drill a hole at faucet mount location using faucet installation instructions for exact positioning.
- STEP 3.** Position lavatory in place, centering it above the drain hole. Place clear silicone bead around perimeter of lav where lav meets counter.
- STEP 4.** Pre-assemble P-trap drain connections in accordance with manufacturer's instructions. Check that pop-up drain opens and closes properly when drain control is operated.
- STEP 5.** Connect supply lines to shutoff valves and securely tighten nuts.
- STEP 6.** Install faucet and drain in accordance with manufacturer's instructions. Hand tighten drain and add one quarter turn to allow the sink to expand and contract with changing water and room temperatures. If drain leaks, add another quarter turn. Repeat this process until leak stops. Do not over tighten to prevent stress cracks. Turn on water supply valves and water-test installation.
- STEP 7.** Place Ceramic drain cover on top of metal pop-up drain; ensure DXV logo is facing to the front.

PARTS

7381351-200.4150A — Ceramic Drain Cover

7302080-100.0070A — Mounting Kit

In the United States:

DXV by American Standard
One Centennial Avenue
Piscataway, New Jersey 08855
Attention: Director of Customer Care

For residents of the United States, warranty information may also be obtained by calling the following toll free number: (800) 227-2734
www.DXV.com

In Canada:

DXV by American Standard
5900 Avebury Road
Mississauga, Ontario
L5R 3M3
Canada

Toll Free: 1-800-387-0369
Local: 905-306-1093
Fax: 1-800-395-1498
www.DXV.ca

In Mexico:

DXV by American Standard
Via Morelos 330
Col. Santa Clara Coatitla
Ecatepec, Estado de México 55540

Toll Free: 01-800-8391200
www.DXV.mx