



AMERICAN STANDARD

# LYNDON® 22" WALL-HUNG LAVATORY



## D20075001.415

### FEATURES

- Fine fire clay construction with single hole
- Designed for small and unique spaces
- Includes ceramic drain cap
- Hidden overflow
- Works with any standard drain (drain not included)

### DIMENSIONS

#### NOMINAL DIMENSIONS

22" x 18" x 8-9/16" (558 x 457 x 217 mm)

#### BOWL INSIDE DIMENSIONS

19-3/4" (501 mm) wide  
 12-3/8" (315 mm) front to back  
 5-1/2" (140 mm) depth

### COLORS/FINISHES

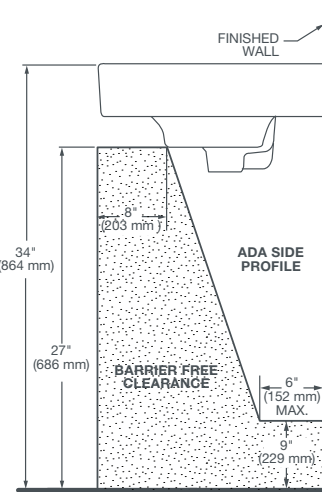
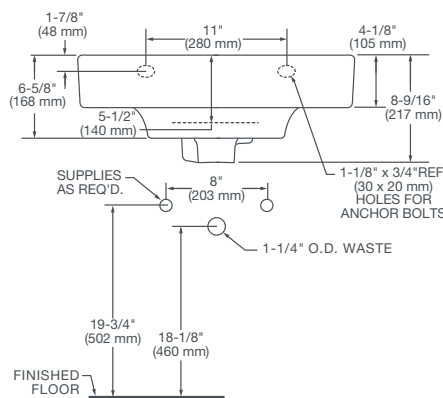
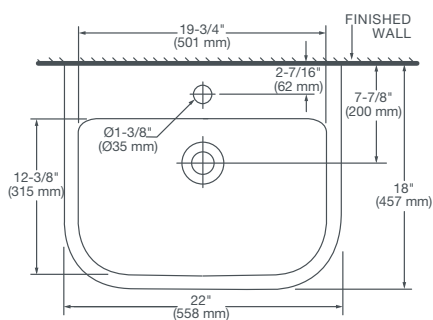
Canvas White (415)

### COMPLIANCE CERTIFICATIONS

Meets or Exceeds ASME A112.19.2/CSA B45.1



Meets the Americans with Disabilities Act Guidelines and ANSI A117.1 Requirements for Accessible and Usable Building Facilities-Check Local Codes.



### NOTES:

Dimensions shown for location supplies and "P" trap are suggested. Provide suitable reinforcement for all wall supports. Slab/pedestal anchors and mounting features to be furnished by others. Fittings not included with fixture and must be ordered separately. Installation Instructions supplied with lavatory.

### IMPORTANT:

Dimensions of fixtures are nominal and may vary within the range of tolerance established by ANSI standards. These measurements are subject to change or cancellation. No responsibility is assumed for use of superseded or voided pages.