

FITZGERALD®

28" PEDESTAL LAVATORY



FEATURES

- Fine fire clay
- Faucet ledge with integral soap recess
- Recessed overflow

DIMENSIONS

NOMINAL DIMENSIONS

28" x 22" x 36" (711 x 559 x 915 mm)
Pedestal back open 13-1/2" up from floor

BOWL INSIDE DIMENSIONS

20-3/16" (512 mm) wide
12-5/16" (313 mm) front to back
6-1/8" (155 mm) depth

COLORS/FINISHES

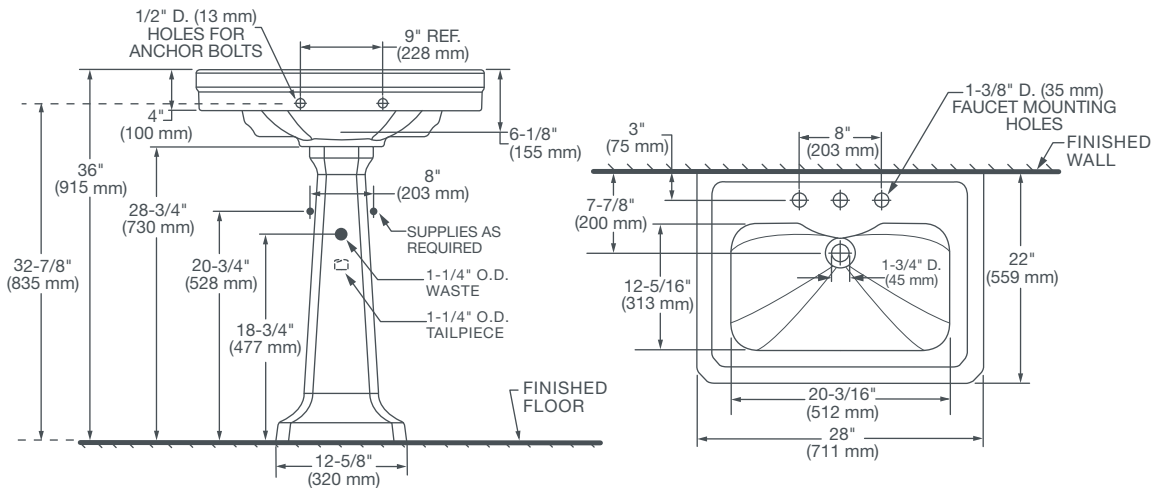
Canvas White (415), Biscuit (071)

SEPARATE COMPONENTS

- D20015001.XXX 28" Single-Hole Lavatory
- D20015008.XXX 28" Three-Hole Lavatory
- D21015000.XXX Pedestal Base Only

COMPLIANCE CERTIFICATIONS

Meets or Exceeds ASME A112.19.2-2008/CSA B45.1-8



NOTES:

- Dimension shown for location of supplies and "P" trap are suggested. Provide suitable reinforcement for all wall supports.
- Pedestal anchoring screws not included
- Fittings not included with fixture and must be ordered separately.
- Installation Instructions supplied with lavatory and console legs.

IMPORTANT:

Dimensions of fixtures are nominal and may vary within the range of tolerance established by ANSI standards. These measurements are subject to change or cancellation. No responsibility is assumed for use of superseded or voided pages.