

INSTALLATION INSTRUCTIONS



OAK HILL™ FREESTANDING SOAKING TUB
5-1/2' x 36" (1676 x 914 mm)

MODELS: D12025004.415

Thank you for selecting DXV by American Standard. To ensure this product is installed properly, please read these instructions carefully before you begin. (Certain installations may require professional help.) Also be sure your installation conforms to local codes.

⚠ CAUTION: PRODUCT IS FRAGILE. TO AVOID BREAKAGE AND POSSIBLE INJURY, HANDLE WITH CARE!

ATTENTION INSTALLER:
Please deliver this manual to homeowner.

© AS AMERICA, INC. 2015
All product names listed herein are trademarks of AS America, Inc.

TABLE OF CONTENTS:

CoverPage 1

Table of ContentsPage 2

Safety Instructions NoticePage 3

General Installation InformationPage 4







Tub Specifications / Roughing-in ReferencesPage 5

Installation InstructionsPage 6-7

Post Installation InstructionsPage 8

IMPORTANT SAFETY INSTRUCTIONS

READ AND FOLLOW ALL INSTRUCTIONS!

-  **WARNING: *Risk of personal injury.*** Do not permit children to use this bathtub without adult supervision. Never drop or insert any object into any opening.
-  **WARNING: *Risk of electric shock.*** Do not permit electrical appliances near any bathtub when bathtub contains water.
-  **WARNING: *Risk of hyperthermia and possible drowning.*** People using medications and/or having adverse medical history should consult a physician before using this product.
-  **WARNING: *Risk of personal injury.*** Do not overfill bathtub before entering. Entering tub when filled more than 2/3 can cause overflow and slippery conditions. Exercise caution when entering and exiting.
-  **WARNING: *No food or alcoholic beverages.*** Use of your bathtub immediately after meals is not recommended. Avoid alcohol consumption before or during bathing. Alcoholic beverages can cause drowsiness or hyperthermia resulting in loss of consciousness or even drowning.
-  **WARNING: *Pregnancy.*** If you are or think you may be pregnant, consult your physician before using the bathtub.

Use this unit only for its intended use as described in this manual.
Do not use any attachments not recommended by DXV by American Standard.

SAVE THESE INSTRUCTIONS

GENERAL INSTALLATION INFORMATION

Carefully uncrate and inspect your new bath for any shipping damage. If such damage is found, report it to your vendor immediately. After inspection and during installation, protect the bath from construction damage. Before installing, the bath must be filled with water to check for leaks that may have resulted from shipping damage or mishandling! Fittings (bath filler, shower arm, etc.) are not provided with the bath and must be ordered separately. Framing and enclosing materials are provided by others. Follow test procedures carefully.

ATTENTION INSTALLER!

TUBS ARE INTENDED FOR INDOOR USE ONLY.

If you have installation or warranty questions please do not return the unit to the place of purchase. Call 800-227-2734.

Always protect tub from construction damage by using a protective cover. Damage, including chips and scratches incurred at the jobsite is excluded from warranty but may be repaired by qualified technician at the owner's expense. Do not stand in the tub or store materials in the tub during construction. Do not store tub in temperatures below 32 degrees Fahrenheit.

Protect all finished surfaces of the bathtub during construction and installation using a drop cloth.

RECOMMENDED TOOLS AND MATERIALS

Most of the procedures require the use of common tools and materials, which are available from hardware and plumbing supply stores. It is essential that the tools and materials be on hand before work is begun.

TOOLS

- Level
- Tape Measure
- Pipe Wrench
- Slip Joint Pliers
- Screw Driver
- Standard Woodworking Tools
- Personal Safety Equipment
- Caulking Gun

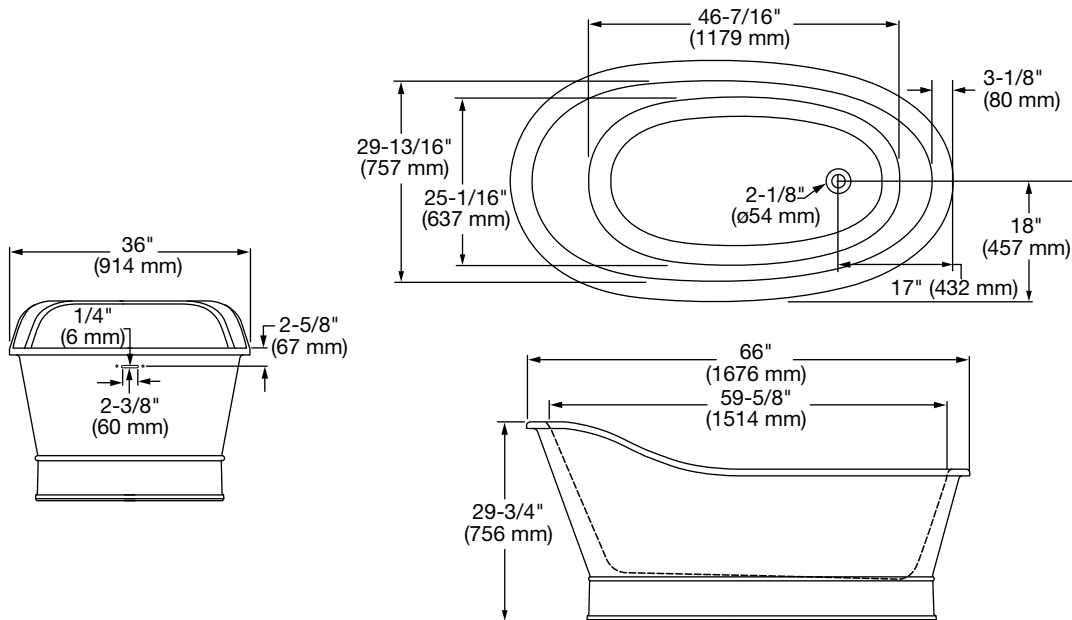
SUPPLIES

- Drop Cloth
- Tub Adhesive
- Silicone Sealant

REQUIRED COMPONENTS

- Overflow and Drain Trim Kit -D11000000.XXX must be ordered separately
- Bath Filler (not Included)

SPECIFICATIONS / ROUGH-IN REFERENCE



GENERAL SPECIFICATIONS

DESCRIPTION	WEIGHT WITH WATER / FLOOR LOADING	PRODUCT WEIGHT	GALLON TO OVERFLOW
Oak Hill 5-1/2" x 36" (1676 x 914 mm)	632.lbs. (287 kg.) 38 lbs./sq. ft. (187 kg./sq. m)	115 lbs. (52 kg.)	62 gal. (235 l.)

For more details, see specification page per model at www.dvx.com
The drain outlet is directly under the drain hole in the tub.

NOTE: An access panel must be provided to facilitate the connection of the drain to the drain/waste outlet.

Access must be made through the floor below the tub.

FREESTANDING SOAKING TUB

GENERAL INFORMATION

Rough in dimensions For critical dimensions, we suggest taking the measurements of the actual tub on site. All printed specifications are +/- 1/2 inch (13 mm) and subject to change without notice.

An access panel must be provided to facilitate the connection of the drain to the drain/waste outlet. Access must be made through the floor below the tub.

FIXTURES/ FITTINGS

No fixtures/fittings can be mounted on the tub deck of freestanding tubs. Floor or wall-mounted fixtures/fittings are required.

Wall-Mounted - The position of the tub and the reach of the spout are critical. Pay special attention to the spout reach when choosing your fixtures/fittings. Be careful to ensure that the spout will extend out far enough to clear the tub flange and the falling water will not hit too high up on the side wall of the tub and splash.

Floor-Mounted - Some freestanding fixtures/fittings must be anchored to the tub drain for stabilization. The waste and overflow on these tubs are concealed so anchoring to the overflow pipe (or tub structure) is not possible. Many kits (with minor modification) can be mounted to the wall (rather than the drain pipe) for stabilization.

INSTALLATION INSTRUCTIONS:

1

- Place the tub on a finished, level floor in the desired location. See **Fig. 1**.
- Using the adjustable feet on the underside of the tub, ensure that the tub is level.
- Ensure that there is a gap between the tub base and the floor. Gap shall not exceed 3/16" (5 mm). See **Fig. 2**.
- Tighten the jamb nuts on the feet to ensure that they do not loosen. See **Photo 1**.

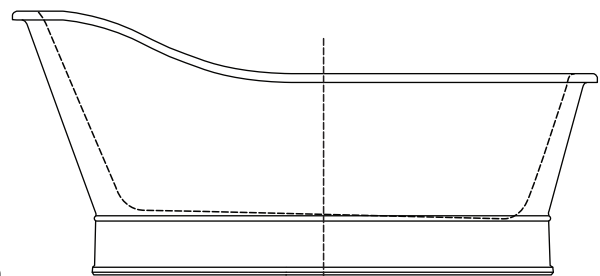


Fig. 1.



Photo 1.

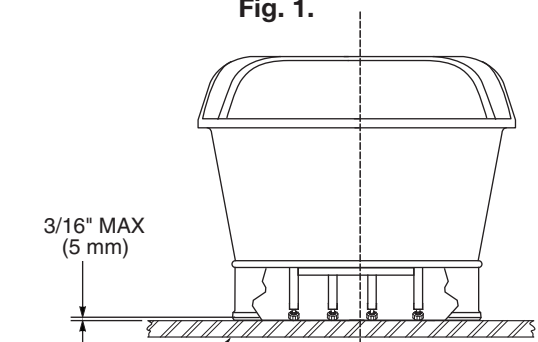


Fig. 2.

2 INSTALLING OVERFLOW COVER & DRAIN PLUG

- Attach overflow cover using the screws provided.
- Insert drain plug into drain hole. See **Photo 2**.
- Place large conical washer on drain plug and push it against the drain boss. See **Photo 3**.
- Thread drain adapter onto drain plug and tighten. See **Photo 4**.

Note: The drain/waste outlet must be installed in accordance with all local building codes.

All drain connections must be made using an access created beneath the tub.



Photo 2.



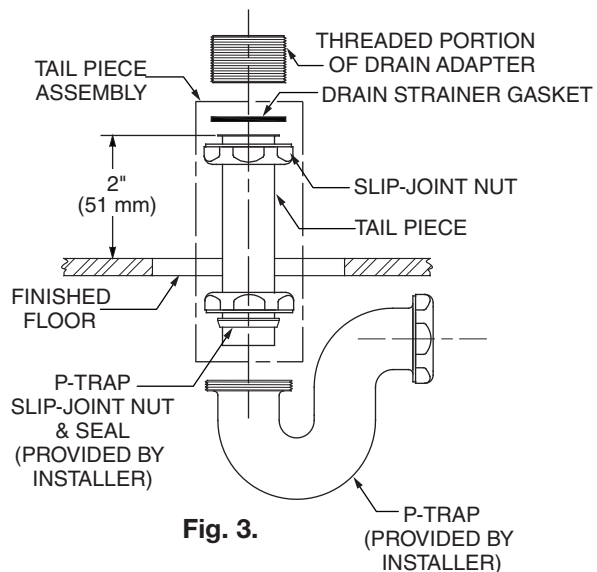
Photo 3.



Photo 4.

3 INSTALLING THE 1-1/2" DIAMETER TAIL PIECE ASSEMBLY INTO P-TRAP

- The tail piece assembly, consisting of tail piece, drain strainer gasket and slip-joint nut is used to connect the tub drain to the drain/waste outlet. See **Fig. 3**.
- Slide the slip-joint nut over tail piece towards the flanged end as shown.
- Slide the P-trap slip-joint nut and seal over the tail piece as shown.
- Insert the tail piece into the P-trap.
- The flange of the tail piece should be approximately 2" (51 mm) above the finished floor when fully inserted to the P-trap.
- The tail piece can be cut if necessary.



4

- Apply a generous bead of tub adhesive to the base of the tub and leveling feet. See **Photo 5**.



Photo 5.

5

- Carefully set the tub into position. Ensure that drain strainer gasket is fully seated against the tail piece flange.
- Connect the tailpiece to the tub drain. Tighten all of the drain connections. Remove any excess caulking where the tub meets the floor and allow the adhesive to cure for 24 hours.

Note: Connecting the tailpiece assembly and the drain will require access from beneath the tub.

6

- Fill the tub with water and drain. Check for leaks and re-tighten connections as necessary.

7

- Apply a bead of Tub & Tile caulk around the bottom edge of the tub where it meets the floor.
- Remove any excess caulking.

POST INSTALLATION CLEAN-UP

Remove all construction debris from bath. Tile grout can be removed with a wooden Popsicle stick or tongue depressor. Do not use wire brushes or any other metal implement on bath surface.

Post installation clean-up generally can be completed using warm water and liquid dishwashing detergent. Stubborn dirt or stains may be removed using granular Spic and Span® mixed with water.

Painter's naphtha can be used to remove excess adhesives and/or wet oil-base paint.

FEATURES OF YOUR NEW FREESTANDING TUB

Your new bathtub has been molded in the newest plumbing fixture material available today. The unit has a tough durable finish that is simple and easy to care for.

The colors have been formulated to enhance your choice of bathroom decorations. The high gloss surface is resistant to impact and chemicals and will retain its lasting luster with proper care and maintenance.

In the United States:

DXV by American Standard
One Centennial Avenue
Piscataway, New Jersey 08855
Attention: Director of Customer Care

For residents of the United States, warranty information may also be obtained by calling the following toll free number: (800) 227-2734
www.DXV.com

In Canada:

DXV by American Standard
5900 Avebury Road
Mississauga, Ontario
L5R 3M3
Canada

Toll Free: 1-800-387-0369
Local: 905-306-1093
Fax: 1-800-395-1498
www.DXV.ca

In Mexico:

DXV by American Standard
Via Morelos 330
Col. Santa Clara Coatitla
Ecatepec, Estado de México 55540

Toll Free: 01-800-8391200
www.DXV.mx