

INSTALLATION INSTRUCTIONS

Seagram™ Wall Hung Dual Flush Toilet with Seat

Model D23010S000.415



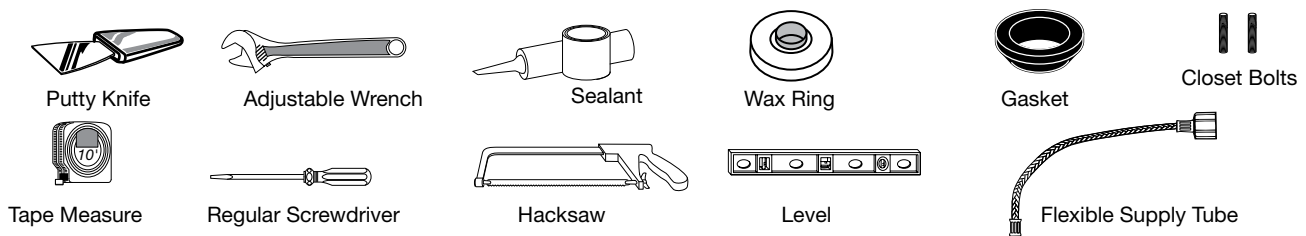
AMERICAN STANDARD

Thank you for selecting DXV by American Standard. To ensure this product is installed properly, please read these instructions carefully before you begin. (Certain installations may require professional help.) Also be sure your installation conforms to local codes.

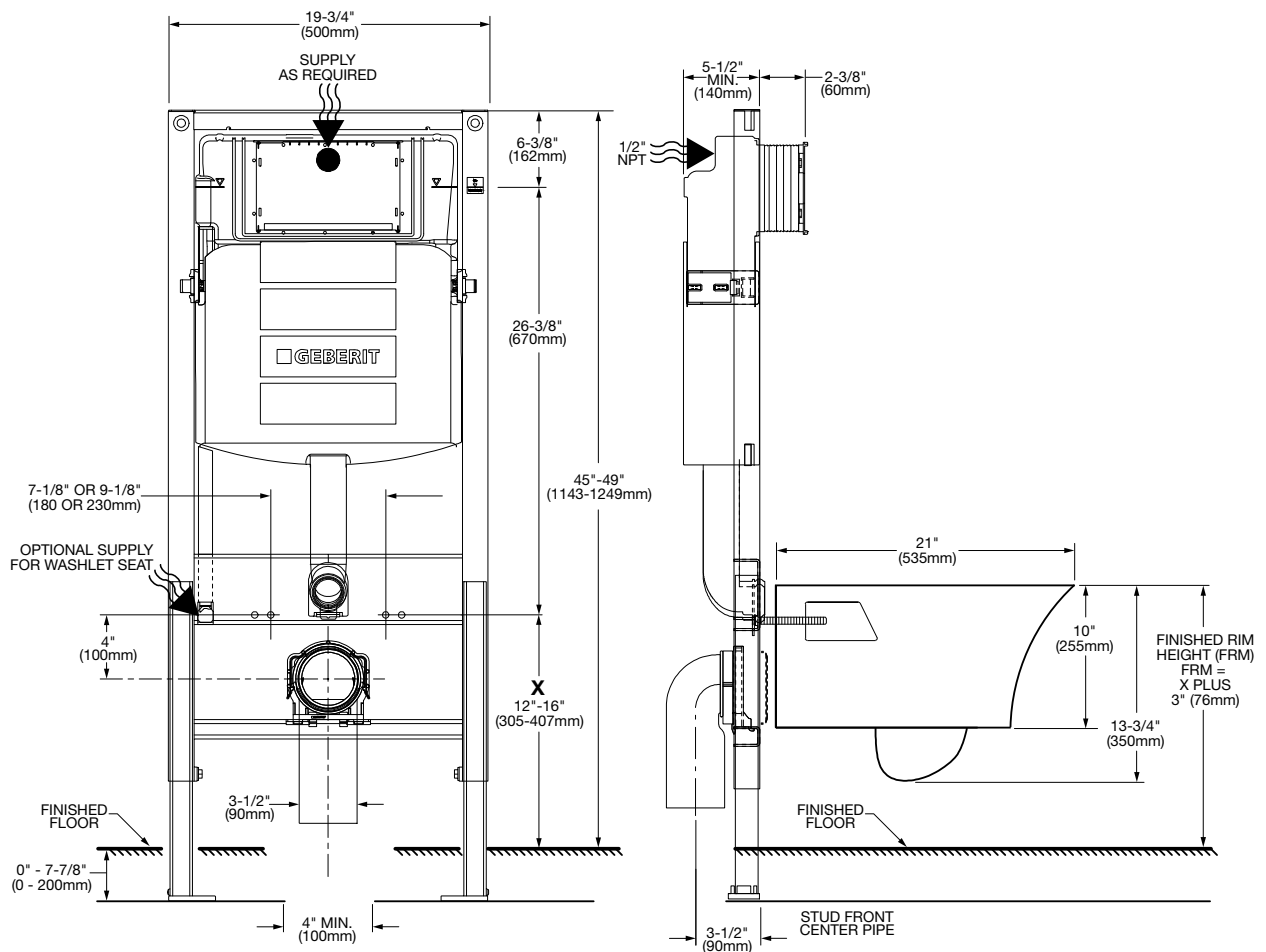
▲ CAUTION: PRODUCT IS FRAGILE. TO AVOID BREAKAGE AND POSSIBLE INJURY HANDLE WITH CARE!
NOTE: Pictures may not exactly define contour of china and components.

RECOMMENDED TOOLS AND MATERIALS

Most of the procedures require the use of common tools and materials, which are available from hardware and plumbing, supply stores. It is essential that the tools and materials be on hand before work is begun.

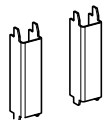


1 ROUGHING-IN DIMENSIONS



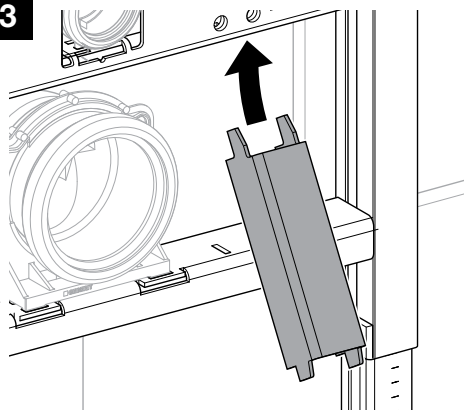
SAVE FOR FUTURE USE

2

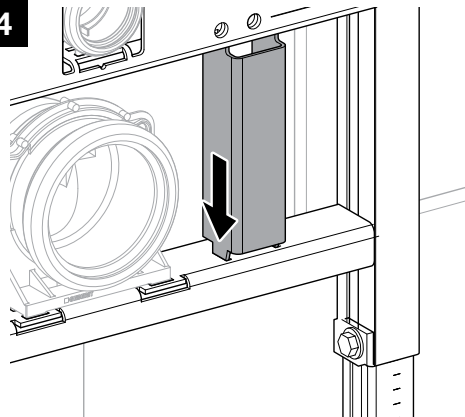


These 2 brackets must be installed during tank frame installation. The brackets are delivered with the tank frame.

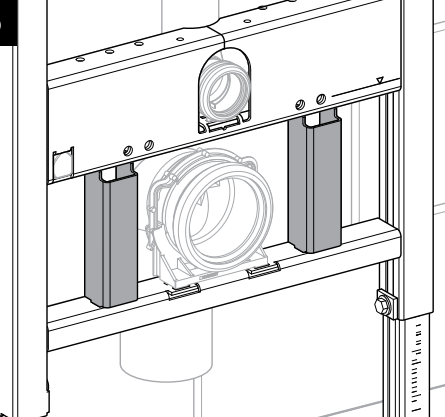
3



4



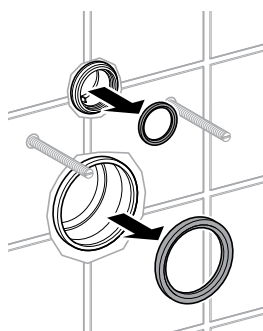
5



6

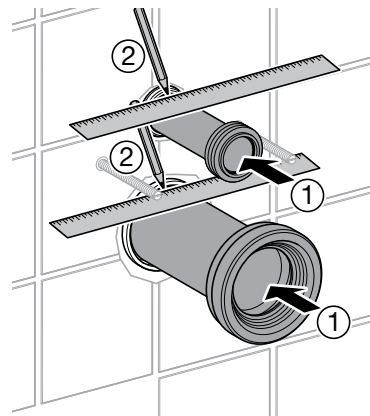
BOWL INSTALLATION:

Remove yellow protection plugs and seals from pipes.



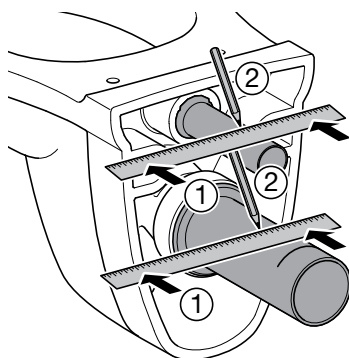
6a

Insert discharge pipe into the pipe hub in the wall. Place a straight edge flush against the wall and mark a line on the pipe. Fit finned rubber seal onto flush pipe. Repeat same procedure for discharge pipe.



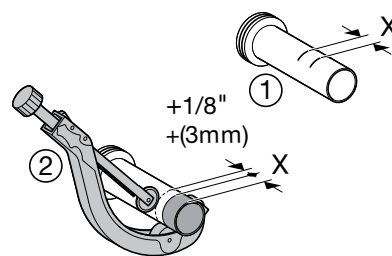
6b

Place discharge pipe with gasket into waste outlet of bowl. Also place flush pipe with fin gasket into inlet of bowl. Then mark a second line on both pipes.



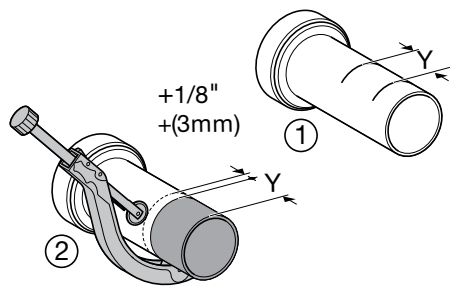
6c

Add dimension X and 1/8" (3mm). Using that dimension, mark a line on the pipe measuring from the hub side. Cut off the pipe at the line with a pipe cutter.

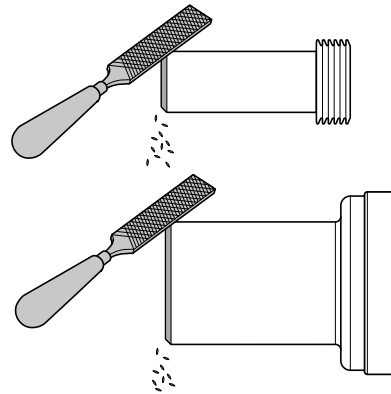


6d

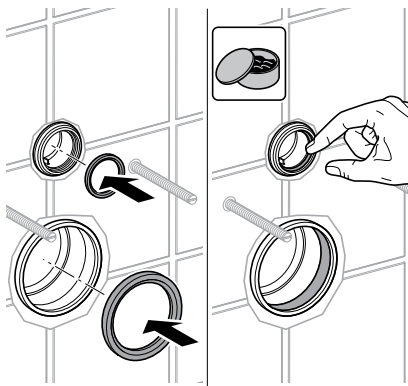
Add dimension Y and 1/8" (3mm). Using that dimension, mark a line on the pipe measuring from the hub side. Cut off the pipe at the line with a pipe cutter.

**6e**

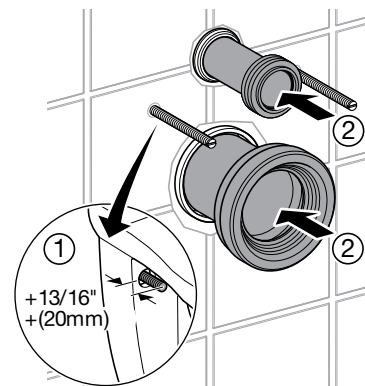
Bevel the sharp edges as shown to assure a smooth insertion into the pipe hubs in the wall.

**6f**

Install both seals into the pipes in the wall. Lubricate seals with appropriate rubber seal lubricant.

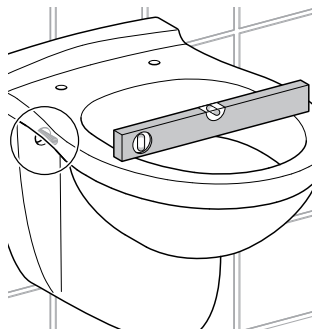
**6g**

Remove protective sleeves from mounting rods. Determine protruding rod length for bowl installation. Install both pipes into the hubs in the wall.

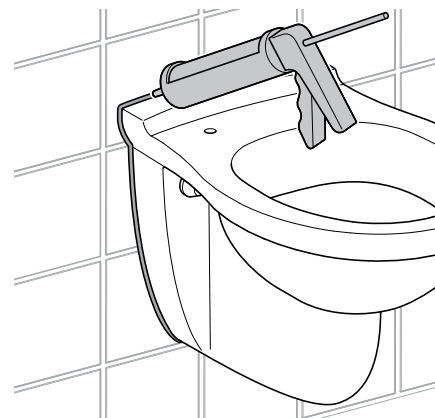
**6h**

NOTE: DO NOT overtighten hex nuts!

Place bowl onto rods. Attach cap washer with nose up and facing forwards onto rods. Install washer and hex nuts, tighten loosely. Level bowl. Tighten hex nuts. Snap on the bolt caps.

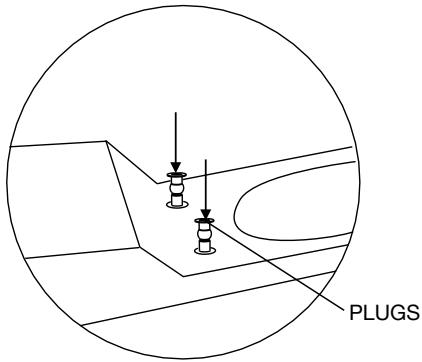
**6i**

Seal gap around bowl with waterproof sealant.



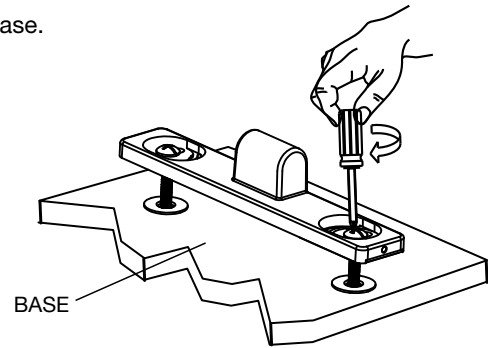
7 TOILET SEAT INSTALLATION:

Insert plugs into holes of toilet.



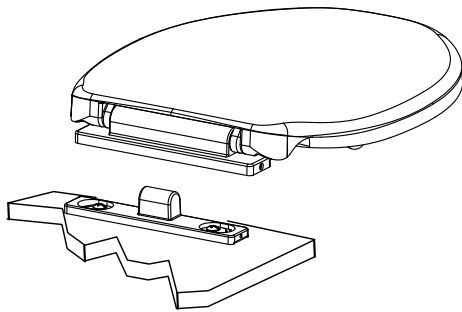
7a

Install base.



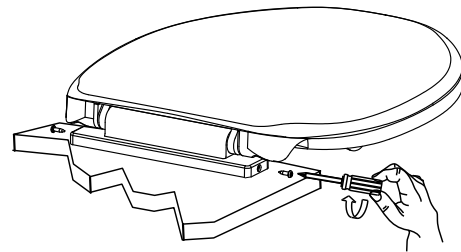
7b

Place seat into position.



7c

Fix seat with screws.



PART NUMBER	DESCRIPTION
D23010S000.415	BOWL WITH SEAT
5035A.10G.XXX	SEAT
D29000000.000	STANDARD FRAME
D28000000.415	STANDARD FRAME SIGA01 FLUSH PLATE
D28001000.XXX	STANDARD FRAME BOLERO FLUSH PLATE
(for carrier repair parts please check carrier installation instructions)	

In the United States:

DXV by American Standard
One Centennial Avenue
Piscataway, New Jersey 08855
Attention: Director of Customer Care

For residents of the United States, warranty information may also be obtained by calling the following toll free number: (800) 227-2734
www.DXV.com

In Canada:

DXV by American Standard
5900 Avebury Road
Mississauga, Ontario
L5R 3M3
Canada

Toll Free: 1-800-387-0369
Local: 905-306-1093
Fax: 1-800-395-1498
www.DXV.ca

In Mexico:

DXV by American Standard
Via Morelos 330
Col. Santa Clara Coatitla
Ecatepec, Estado de México 55540

Toll Free: 01-800-8391200
www.DXV.mx