

INSTALLATION INSTRUCTIONS

Lyndon® 1/2" (13 mm) & 3/4" (19 mm) Thermostatic Mixing Valve Trim Kit



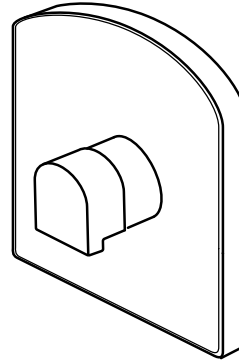
AMERICAN STANDARD

Model D35109510

To be used with

D35000510.191 - 1/2" Thermostatic Mixing Valves

D35000530.191 - 3/4" Thermostatic Mixing Valves



*Thank you for selecting DXV by American Standard.
To ensure that your installation proceeds smoothly,
please read these instructions carefully
before you begin.*

RECOMMENDED TOOLS AND MATERIALS

Most of the procedures require the use of common tools and materials, which are available from hardware and plumbing supply stores. It is essential that the tools and materials be on hand before work is begun.



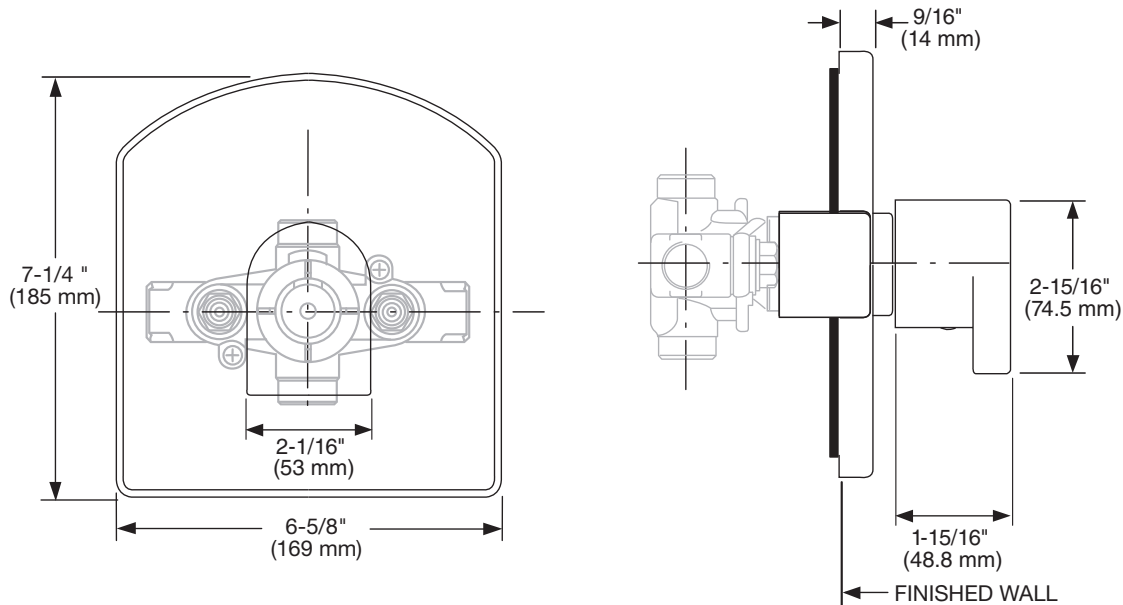
Phillips Screwdriver



Flat Blade Screwdriver

ROUGHING-IN DIMENSIONS:

- For reference



In the United States:

DXV by American Standard
One Centennial Avenue
Piscataway, New Jersey 08855
Attention: Director of Customer Care

For residents of the United States, warranty information may also be obtained by calling the following toll free number: (800) 227-2734
www.DXV.com

In Canada:

DXV by American Standard
5900 Avebury Road
Mississauga, Ontario
L5R 3M3
Canada

Toll Free: 1-800-387-0369
Local: 905-306-1093
Fax: 1-800-395-1498
www.DXV.ca

In Mexico:

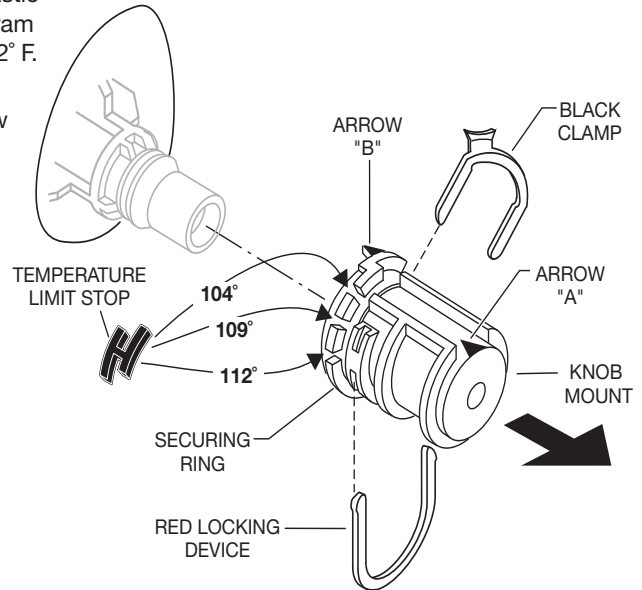
DXV by American Standard
Via Morelos 330
Col. Santa Clara Coatitla
Ecatepec, Estado de México 55540

Toll Free: 01-800-8391200
www.DXV.mx

S A V E F O R F U T U R E U S E

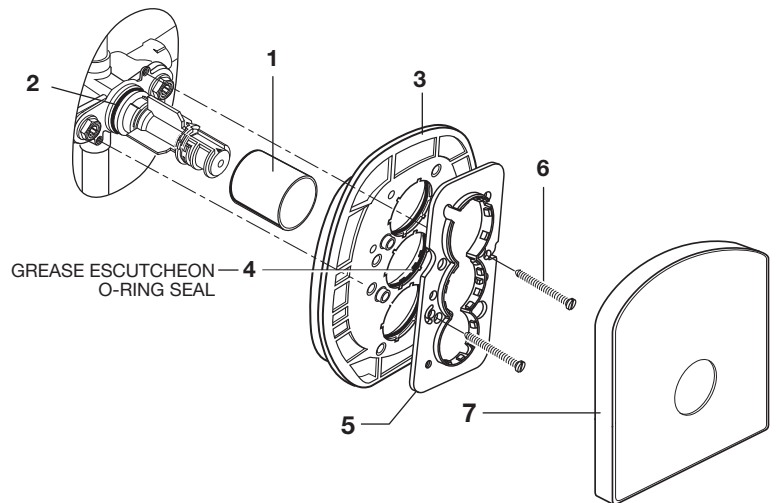
1 TEMPERATURE CALIBRATION

- Unscrew PLASTER GUARD SCREWS and remove PLASTER GUARD.
- Check that arrow marking **B** points vertically upwards. If not, push the BLACK CLAMP on the SECURING RING to the right, pull off KNOB MOUNT and reinstall KNOB MOUNT with arrow "**B**" pointing upwards.
- The maximum mixed water temperature is set at 109° F at the factory. This setting can be changed if desired.
- Remove the TEMPERATURE LIMIT STOP (H shaped Black Plastic part). Re-install it at the desired notch as indicated in the diagram to limit the maximum mixed water temperature to 104° F or 112° F.
- For 100° F adjustment, turn the water supply on. Turn KNOB MOUNT until the spout temperature is 100° F. Check that arrow marking **A** on the KNOB MOUNT still points upward after adjusting the thermostat to 100° F. If not, pull out the RED LOCKING DEVICE. Remove KNOB MOUNT by pulling it towards you while standing directly in front of the valve.
- Reinstall the KNOB MOUNT so that the arrow marking **A** points upwards.
- Reinstall RED LOCKING DEVICE.



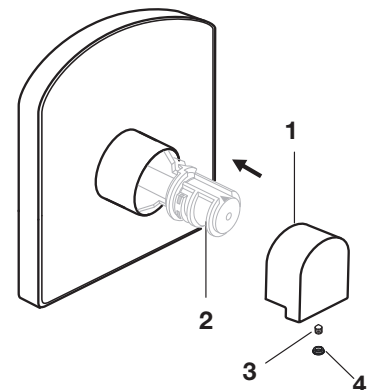
2 TRIM INSTALLATION

- Push CAP (1) over the O-RING SEAL (2).
- Push ESCUTCHEON HOLDER (3) with lightly greased O-RING SEAL (4) over CAP (1).
- Attach the FIXATION PLATE (5) to the ESCUTCHEON HOLDER (3) with the two SCREWS (6) provided.
- Push ESCUTCHEON (7) flush against finished wall.



3 HANDLE INSTALLATION

- Push TEMPERATURE-CONTROL HANDLE (1) onto KNOB MOUNT (2). Secure TEMPERATURE-CONTROL HANDLE (1) to valve with SET SCREW (3). Push COVER (4) onto the SET SCREW (3).



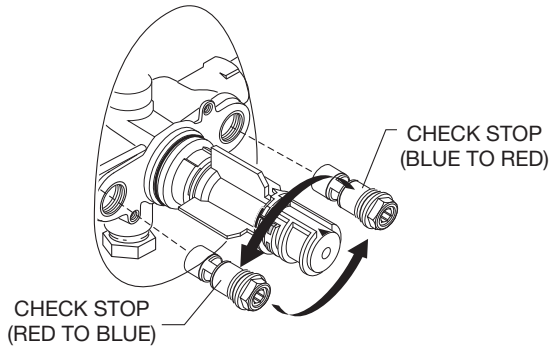
4 TRANSPOSED SUPPLY PIPING

Should the hot and cold water supply pipes be transposed (making adjustment impossible), proceed as follows:

- Shut off water supply.
- Remove handle and trim
- Remove check stops and re-install them transposed.

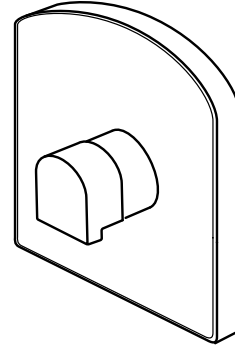
Important note: RED CHECK STOP is now on the right of the mixer body and the BLUE CHECK STOP is now on the left.

- Turn the water supply back on and perform the temperature adjustment in step 1.



5 OPERATING THE VALVE

- Turn to the left hand side (counterclockwise) for HOT.
- Turn to the right hand side (clockwise) for COLD.



AMERICAN STANDARD

Lyndon® 1/2" (13mm) & 3/4" (19mm) Thermostatic Mixing Valve Trim Kit

MODEL NUMBER

D35109510

Replace the "YYY" with appropriate finish code

POLISHED CHROME	100
BRUSHED NICKEL	144
MATTE BLACK	243

