

INSTALLATION INSTRUCTIONS

Randall® Pressure Balanced Shower Valve Trim Kit

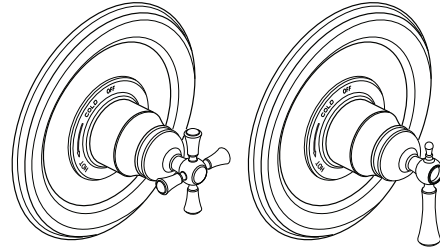
Cross Handle
Model D35102540

Lever Handle
Model D35102500

To be used with D35000500.191
Pressure Balanced Shower Valve



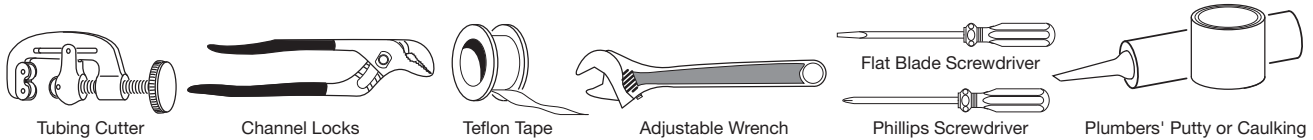
AMERICAN STANDARD



*Thank you for selecting DXV by American Standard.
To ensure that your installation proceeds smoothly,
please read these instructions carefully
before you begin.*

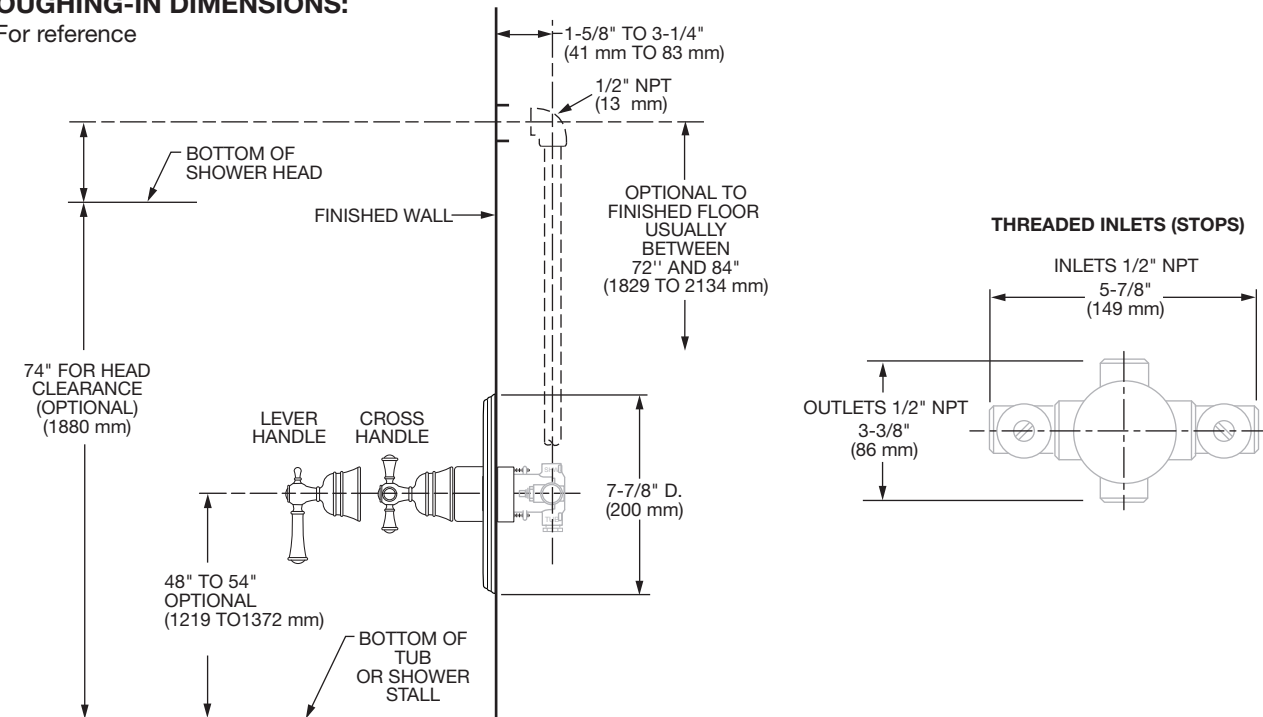
RECOMMENDED TOOLS AND MATERIALS

Most of the procedures require the use of common tools and materials, which are available from hardware and plumbing, supply stores. It is essential that the tools and materials be on hand before work is begun.



ROUGHING-IN DIMENSIONS:

• For reference



In the United States:

DXV by American Standard
One Centennial Avenue
Piscataway, New Jersey 08855
Attention: Director of Customer Care

For residents of the United States, warranty information may also be obtained by calling the following toll free number: (800) 227-2734
www.DXV.com

In Canada:

DXV by American Standard
5900 Avebury Road
Mississauga, Ontario
L5R 3M3
Canada

Toll Free: 1-800-387-0369
Local: 905-306-1093
Fax: 1-800-395-1498
www.DXV.ca

In Mexico:

DXV by American Standard
Via Morelos 330
Col. Santa Clara Coatitla
Ecatepec, Estado de México 55540

Toll Free: 01-800-8391200
www.DXV.mx

S
A
V
E

F
O
R

F
U
T
U
R
E

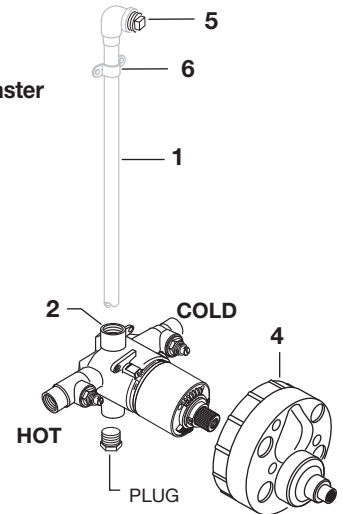
U
S
E

1 Roughing-in

CAUTION Turn off hot and cold water supplies before beginning.

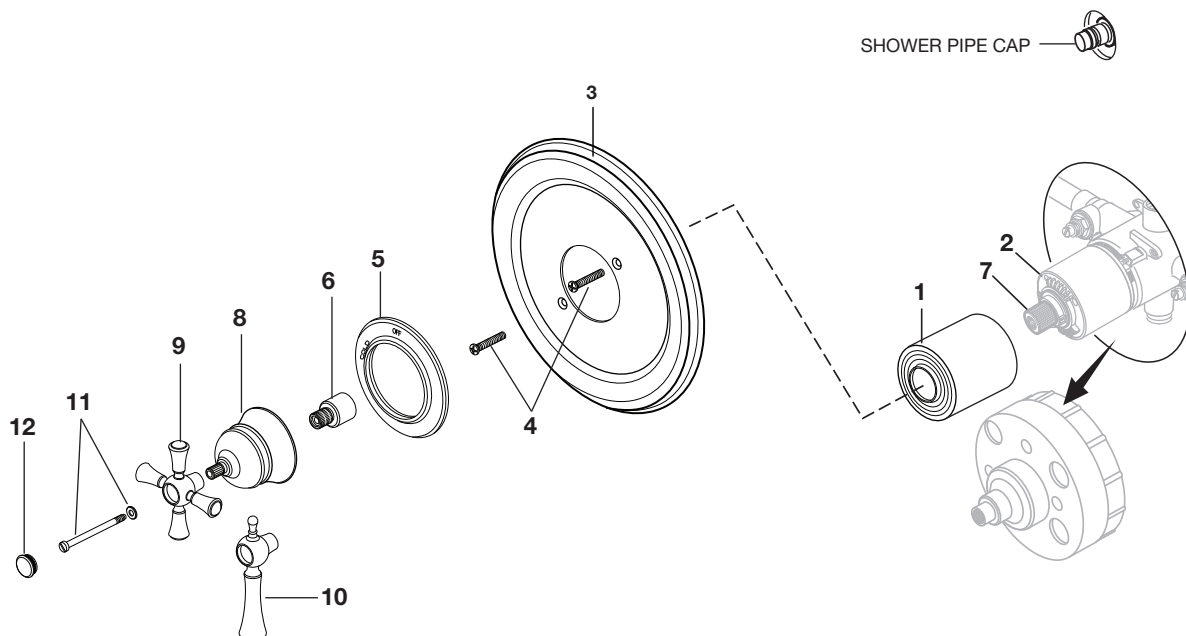
NOTE: When soldering, remove **PLASTER GUARD, CARTRIDGES** and **CHECK STOPS (IF PRESENT)**.
When finished soldering, flush valve body, replace cartridges, check stops (if present) and plaster guard to continue installation. Use thread sealant or Teflon tape on threaded connections.

- See Roughing-in diagram before starting.
Connections are:
 - 1/2" (13 mm) female NPT for threaded inlets
- Connect **RISER PIPE (1)** to **MANIFOLD (2)** top outlet marked "SHR".
- Plug **TUB** outlet with 1/2" (13 mm) NPT **PLUG** supplied.
- For proper positioning the finished wall must be within side wall of **PLASTER GUARD (4)**.
- If the valve is installed on a fiberglass or other thin wall application, the **PLASTER GUARD (4)** can be used as a support.
 - Cut a 4" (102 mm) dia. hole in the shower stall.
 - Drill two additional 1" (25 mm) holes to allow access to the stops.
 - Remove **PLASTER GUARD (4)**, rotate 180° so that indicated screw holes fit.
 - **MANIFOLD (2)**. Push **CAP** on valve, place **ESCUTCHEON** on and attach with screws.
- Connect hot and cold water supplies.
- Cap off shower pipe (**5**).
- For support, use pipe **BRACES (6)** secured to wooden braces.
- With valve turned off, turn on water supplies. Check for leaks.



2 INSTALL TRIM

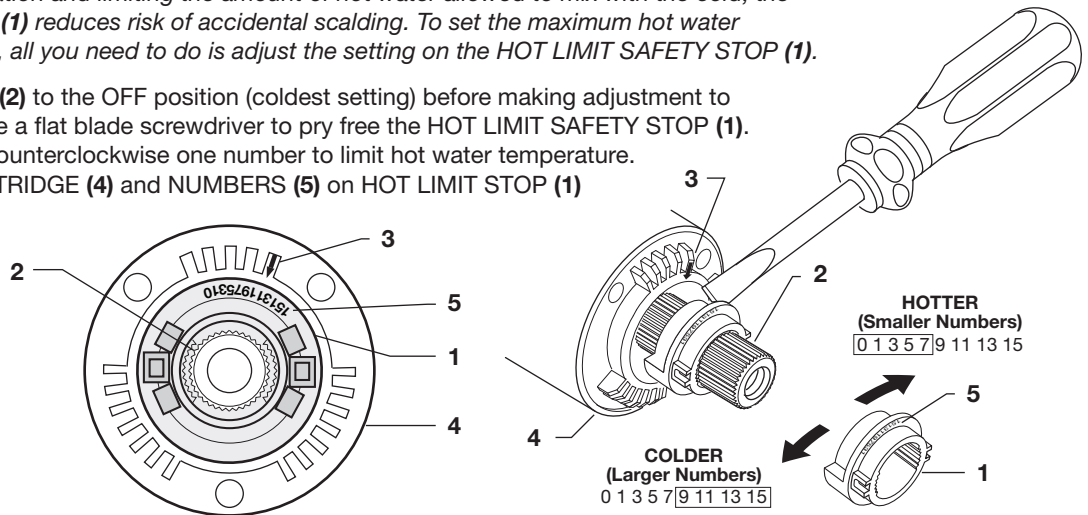
- Push **CAP (1)** onto **VALVE CARTRIDGE (2)**. Mount **ESCUTCHEON (3)** with gasket to valve body and secure with **SCREWS (4)**.
- Push the **COVER (5)** as shown over the **CAP (1)**.
- Push **ADAPTER (6)** onto **CARTRIDGE STEM (7)**. Push **ESCUTCHEON (8)** onto **ADAPTER (6)**. Mount **CROSS HANDLE (9)** or **LEVER HANDLE (10)** and secure with **WASHER** and **SCREW (11)**. Cover with **CAP (12)**.



3 ADJUST HOT LIMIT STOP (MUST BE DONE PRIOR TO TRIM INSTALLATION)

By restricting HANDLE rotation and limiting the amount of hot water allowed to mix with the cold, the HOT LIMIT SAFETY STOP (1) reduces risk of accidental scalding. To set the maximum hot water temperature of your faucet, all you need to do is adjust the setting on the HOT LIMIT SAFETY STOP (1).

- Turn CARTRIDGE STEM (2) to the OFF position (coldest setting) before making adjustment to HOT LIMIT STOP (1). Use a flat blade screwdriver to pry free the HOT LIMIT SAFETY STOP (1). Pull forward and rotate counterclockwise one number to limit hot water temperature. Use ARROW (3) on CARTRIDGE (4) and NUMBERS (5) on HOT LIMIT STOP (1) for indication.



4 TEST INSTALLED FAUCET

- Turn VALVE “off”.
- With HANDLE in “off” position, turn on water supplies and check all connections for leaks.
- Operate HANDLE and flush water lines thoroughly.
- Check the function for proper operation.

5 BACK TO BACK INSTALLATION (SEE ILLUSTRATION STEP 6 FOR REFERENCE)

- Remove Handle and Trim from Valve. See step 2 for reference.
- Remove PRESSURE BALANCE UNIT (5).
- Rotate PRESSURE BALANCE UNIT (5) 180° so that the inlets face up and the large outlet port faces down.
- Push PRESSURE BALANCE UNIT (5) in casting make sure inlets line up with holes in bottom of casting. Top flange should butt up against top of casting.
- Reassemble FIXATION RING (4) and CARTRIDGE (1).

6 TO GAIN ACCESS TO VALVE FOR SERVICING

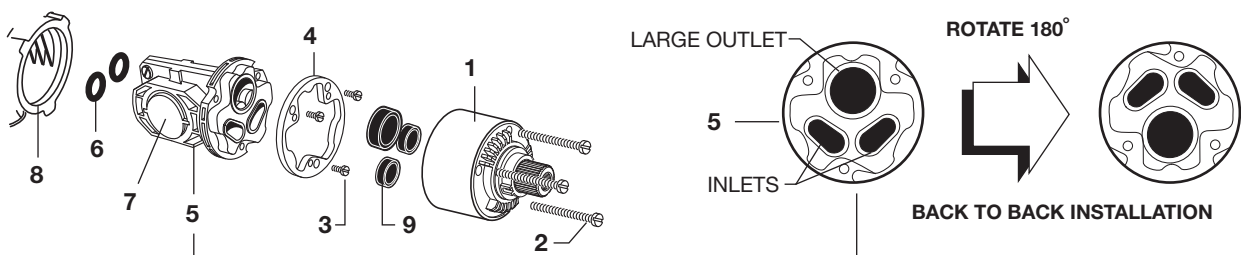
- Remove Handle and Trim from Valve. See step 3 for reference.
- Shut off water supply by either closing off main water supply, or closing off the hot and cold CHECK STOPS on valve, if present.

VALVE LEAKS WHEN SHUT OFF

- Remove CARTRIDGE (1) by removing CARTRIDGE SCREWS (2). Remove three SCREWS (3) from FIXATION RING (4) and pull out PRESSURE BALANCING (5) unit.
- Clean SEALS (9) on base of CARTRIDGE (1). Check base of PRESSURE BALANCING UNIT (5) and clean O-RINGS (6). Remove CAPS (7) and check O-RINGS on inside of CAPS (7). Clean inside sealing surfaces of VALVE BODY (8).
- Re-assemble PRESSURE BALANCING UNIT (5) and CARTRIDGE (1). Tighten all screws. Turn on water supply and see above for installing TRIM and HANDLE.

UNABLE TO MAINTAIN CONSTANT TEMPERATURE

- Remove PRESSURE BALANCE UNIT (5). Remove CAPS (7) and clean valve thoroughly.
- Examine balancing unit and check condition of O-ring on end of piston. Piston should move back and forth. Order Repair Part M952100-0070A if balancing unit is defective.
- Replace CAPS (7) and install PRESSURE BALANCE UNIT (5). Make sure inlets line up with two holes in bottom of casting. Top flange should butt-up against top of casting.





AMERICAN STANDARD

Randall® Pressure Balanced Shower Valve Trim Kit

MODEL NUMBERS

Cross Handle	D35102540
Lever Handle	D35102500

Replace the "YYY" with appropriate finish code

POLISHED CHROME	100
BRUSHED NICKEL	144
PLATINUM NICKEL	150
SATIN BRASS	427

