



COSSU™

ONE-PIECE ELONGATED TOILET



D22015F101.415

FEATURES

- Elongated bowl design
- Vitreous china
- High efficiency (1.28 gpf/4.8 Lpf)
- 2" fully-glazed concealed trapway
- Right Height®
- Duroplast™ slow-close seat included
- Siphon action jetted bowl - 1,000 MaP
- PowerWash® rim scrubs bowl with each flush
- EverClean® surface inhibits the growth of stain and odor causing bacteria, mold and mildew on the surface
- 3" flush valve with chemical resistant flapper
- 12" (305 mm) rough-in
- 16-1/2" (419 mm) rim height for accessible applications

DIMENSIONS

NOMINAL DIMENSIONS

28-1/4" x 14-1/2" x 30-3/4" (717 x 366 x 782 mm)

WATER SPOT

8-1/4" (210 mm) wide

9-1/4" (235 mm) length

5-1/2" (140 mm) distance to rim

COLORS/FINISHES

Canvas White (415)

COMPONENTS

5025A15G.415 Contemporary Telescoping Luxury Seat

735192-400.415 Tank Cover

7381345-200-XXX0A Plated Trip levers (optional component)

Brushed Nickel (295)

Brushed Nickel (144)

COMPLIANCE CERTIFICATIONS

Meets or Exceeds ASME A112.19.2/CSA B45.

Includes Flush Performance, Ball Pass Diameter, Trap Seal Depth and all Dimensions

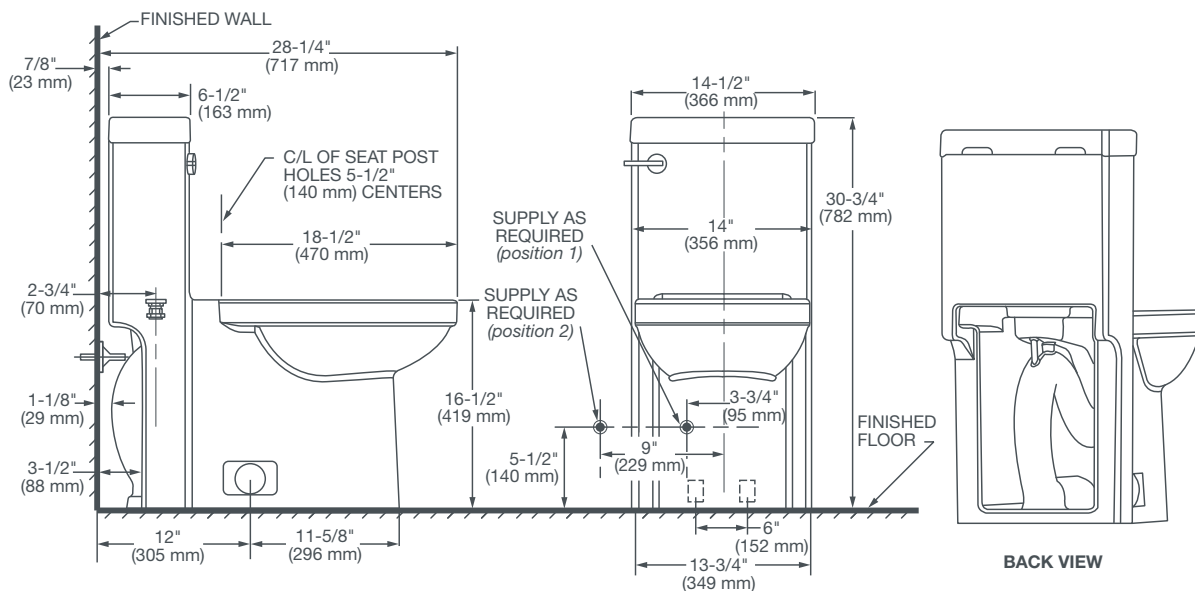


Meets the Americans with Disabilities Act Guidelines and ANSI A117.1 Requirements for Accessible and Usable Building Facilities-Check Local Codes.

ROUGH IN DIAGRAM SHOWN
ON NEXT PAGE

COSSU™

ONE-PIECE ELONGATED TOILET



IMPORTANT:

Water supply on the wall is required at 3-3/4" or 9" from centerline of the toilet (see rough-in).

First suggested position is hidden behind the toilet. The geometry of the toilet gives space for this installation.

The second suggested position is next to the toilet. Between these two positions, the space for the supply between wall and toilet is limited to 3-1/4". In this case, check your supply and hose dimensions.

NOTES:

This toilet is designed to rough-in at a minimum dimension of 12" (305mm) from finished wall to C/L of outlet.

Supply not included with fixture and must be ordered separately.

* Dimensions shown for location of supply is suggested.

IMPORTANT:

Dimensions of fixtures are nominal and may vary within the range of tolerance established by ANSI Standard A112.19.2.

These measurements are subject to change or cancellation. No responsibility is assumed for use of superseded or voided pages.