

INSTALLATION INSTRUCTIONS



AMERICAN STANDARD

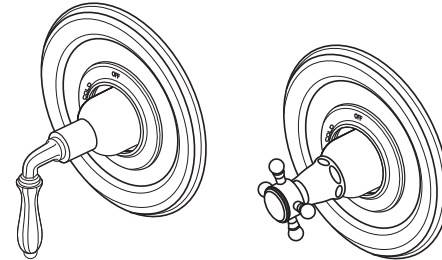
Ashbee™ Pressure Balanced Shower Valve Trim Kit

Cross Handle
Model D35101540

Lever Handle
Model D35101500

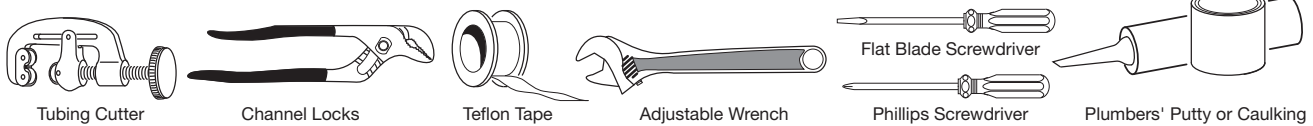
To be used with D35000500.191
Pressure Balanced Shower Valve

*Thank you for selecting DXV by American Standard.
To ensure that your installation proceeds smoothly,
please read these instructions carefully
before you begin.*



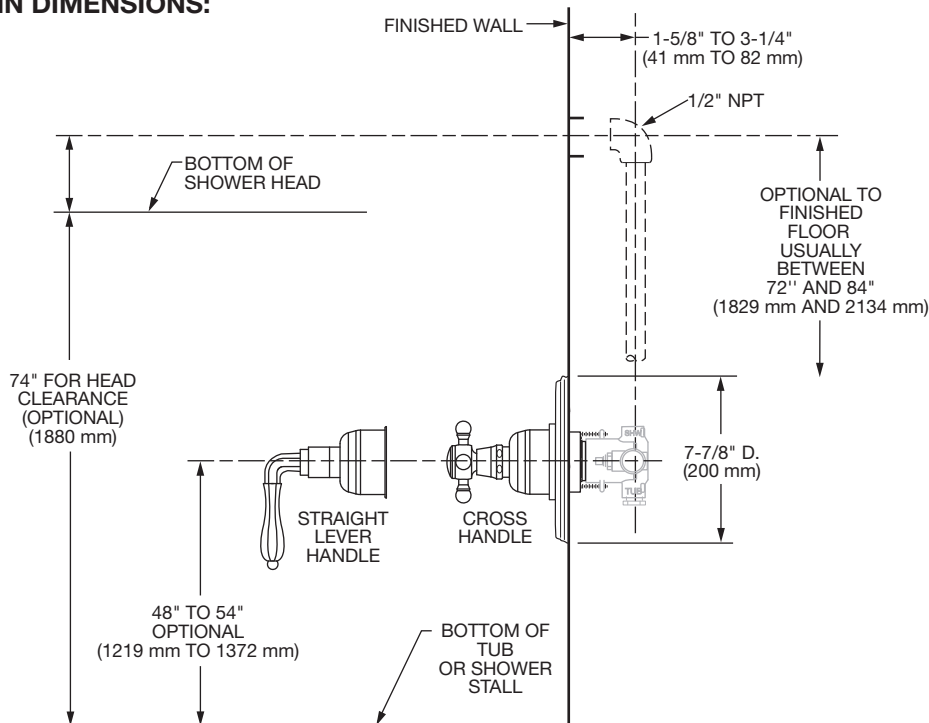
RECOMMENDED TOOLS AND MATERIALS

Most of the procedures require the use of common tools and materials, which are available from hardware and plumbing, supply stores. It is essential that the tools and materials be on hand before work is begun.



ROUGHING-IN DIMENSIONS:

• For reference



In the United States:

DXV by American Standard
One Centennial Avenue
Piscataway, New Jersey 08855
Attention: Director of Customer Care

For residents of the United States, warranty information may also be obtained by calling the following toll free number: (800) 227-2734
www.DXV.com

In Canada:

DXV by American Standard
5900 Avebury Road
Mississauga, Ontario
L5R 3M3
Canada

Toll Free: 1-800-387-0369
Local: 905-306-1093
Fax: 1-800-395-1498
www.DXV.ca

In Mexico:

DXV by American Standard
Via Morelos 330
Col. Santa Clara Coatitla
Ecatepec, Estado de México 55540

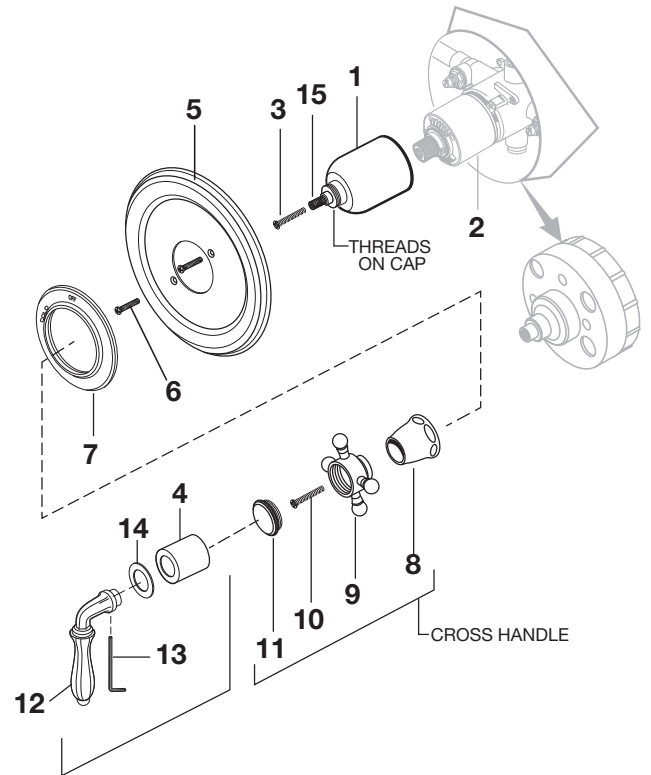
Toll Free: 01-800-8391200
www.DXV.mx

SAVE FOR FUTURE USE

1 INSTALL TRIM

CAUTION Turn off hot and cold water supplies before beginning.

- Push CAP (1) onto VALVE CARTRIDGE (2). Secure CAP (1) to VALVE CARTRIDGE (2) with SCREW (3) for LEVER HANDLE only. (Spline in CAP (1) must fully engage spline on cartridge stem).
- Mount ESCUTCHEON (5) with gasket to valve body and secure with SCREWS (6).
- Push the COVER (7) as shown over the CAP (1).



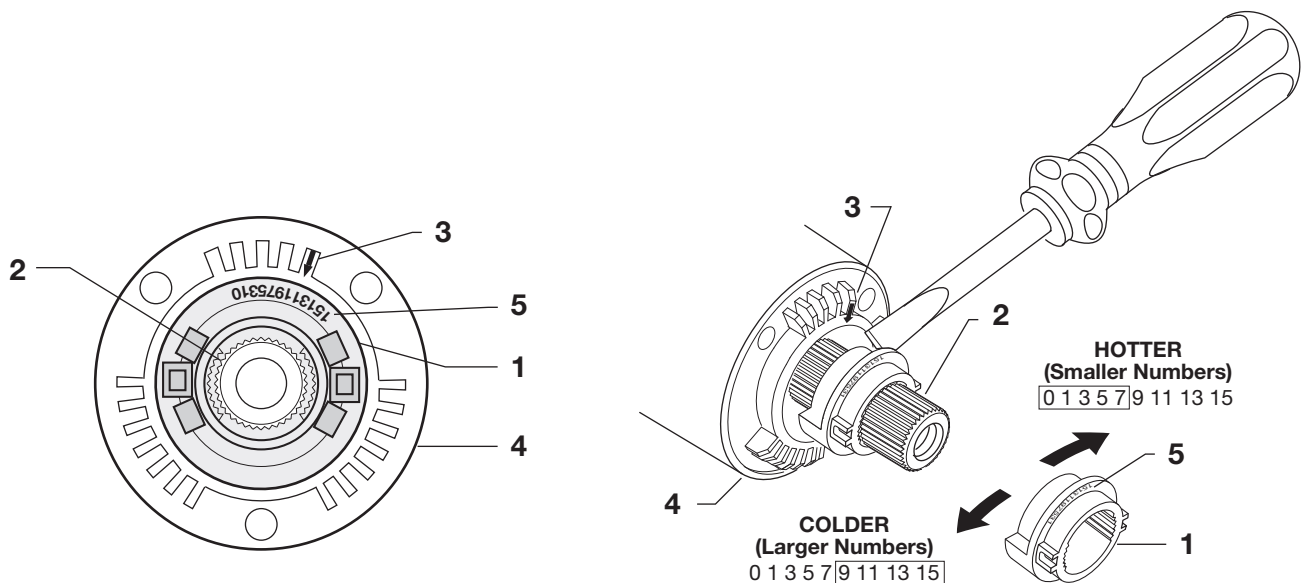
1a INSTALL HANDLE (ADJUST HOT LIMIT STOP PRIOR TO HANDLE INSTALLATION, SEE STEP 2)

- **FOR CROSS HANDLE:** Thread HANDLE BASE (8) onto threads of CAP (1) until seated against its internal stop. With VALVE in off position align CROSS HANDLE (9) as desired. Install CROSS HANDLE (9) onto VALVE STEM (15) and tighten HANDLE SCREW (10). Thread INDEX (11) into CROSS HANDLE (9).
- **LEVER HANDLES:** Thread HANDLE BASE (4) onto threads of CAP (1) until seated against its internal stop. Install FRICTION WASHER (14) onto base of LEVER HANDLE (12). Align LEVER HANDLE (12) and tighten set screw with HEX WRENCH (13) supplied with faucet to secure handle.

2 ADJUST HOT LIMIT STOP (MUST BE DONE PRIOR TO TRIM INSTALLATION)

By restricting HANDLE rotation and limiting the amount of hot water allowed to mix with the cold, the HOT LIMIT SAFETY STOP (1) reduces risk of accidental scalding. To set the maximum hot water temperature of your faucet, all you need to do is adjust the setting on the HOT LIMIT SAFETY STOP (1).

- Remove Handle Assembly and Trim. See above step 1 for reference.
- Turn CARTRIDGE STEM (2) to the OFF position (coldest setting) before making adjustment to HOT LIMIT SAFETY STOP (1). Use a flat blade screwdriver to pry free the HOT LIMIT SAFETY STOP (1). Pull forward and rotate counterclockwise one number to limit hot water temperature. Use ARROW (3) on CARTRIDGE (4) and NUMBERS (5) on HOT LIMIT SAFETY STOP (1) for indication.





AMERICAN STANDARD

Ashbee™ Pressure Balanced Shower Valve Trim Kit

MODEL NUMBERS

Cross Handle	D35101540
Lever Handle	D35101500

Replace the “YYY” with appropriate finish code

POLISHED CHROME	100
BRUSHED NICKEL	144
PLATINUM NICKEL	150

