



AMERICAN STANDARD

ASHBEE™ PRESSURE BALANCE SHOWER VALVE TRIM



- Cast brass valve with built-in check stops
- Ceramic disc valve cartridge
- Adjustable hot limit safety stop
- Pressure balance cartridge maintains constant output temperature in response to changes in relative hot and cold supply pressures
- Concealed mounting hardware
- Available in cross and lever handles

CODES AND STANDARDS

Meets or Exceeds ASME A112.18.1/CSA B125.1/ASSE 1016

AVAILABLE FINISHES

- Polished Chrome
- Brushed Nickel
- Platinum Nickel

FINISH CODE

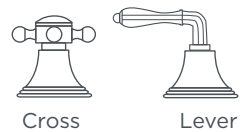
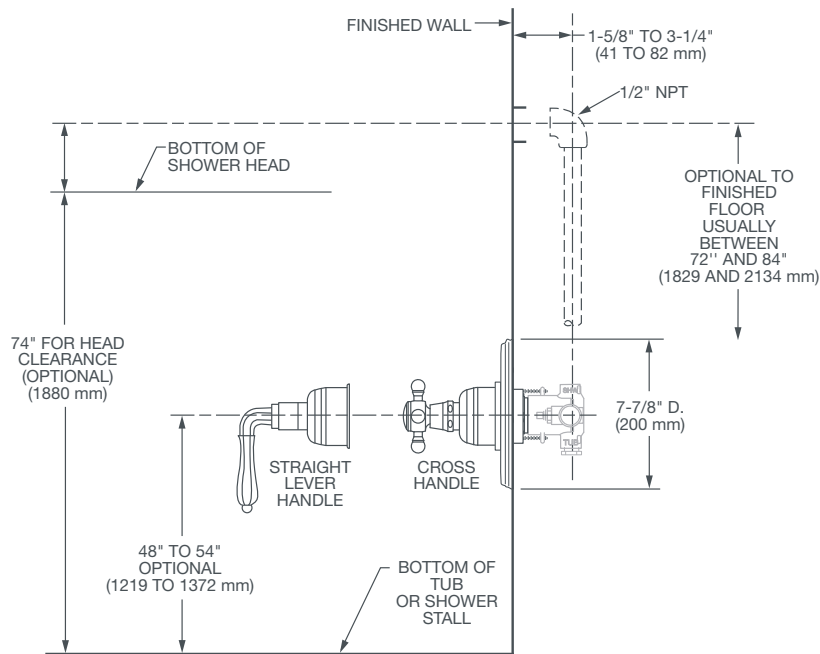
- 100
- 144
- 150

DESCRIPTION

- Pressure Balance Shower Valve Trim
- Cross Handle
- Lever Handle (ADA only)
- Shower Rough Valve (required component)

PRODUCT NUMBER

- D35101540.XXX
- D35101500.XXX
- D35000500.191



IMPORTANT: These measurements are subject to change or cancellation. No responsibility is assumed for use of superseded or voided pages.

PART OF **LIXIL**



Meets the Americans with Disabilities Act Guidelines and ANSI A117.1 Requirements for the physically challenged.