

WYATT®

ONE-PIECE ELONGATED TOILET



D22005C101.415

FEATURES

- Vitreous china
- Elongated bowl design
- Right Height®
- 2" fully-glazed concealed trapway
- High efficiency 1.28 gpf/4.8 Lpf
- Siphon action jetted bowl - 1,000 MaP
- PowerWash® rim scrubs bowl with each flush
- EverClean® surface inhibits the growth of stain and odor causing bacteria, mold and mildew on the surface
- 3" flush valve with chemical resistant flapper
- 12" (305 mm) rough-in
- 16-1/2" (419 mm) rim height for accessible applications
- Includes design matched polypropylene slow-close seat

DIMENSIONS

NOMINAL DIMENSIONS

29-3/4" x 15-3/8" x 30-3/4" (756 x 390 x 782 mm)

WATER SPOT

8-1/4" (210 mm) wide

9-1/4" (235 mm) length

5-1/2" (140 mm) distance to rim

COLORS/FINISHES

Canvas White (415)

COMPONENTS

5024A15G.415 Transitional Elongated Luxury Seat

735194-400.415 Tank Cover

7381331-200-XXX0A Plated Trip Levers (optional component)
Satin Nickel (295)
Brushed Nickel (144)

COMPLIANCE CERTIFICATIONS

Meets or Exceeds ASME A112.19.2/CSA B45.1

EPA WaterSense® Certified

CEC and CALGreen® Compliant



ROUGH IN DIAGRAM SHOWN
ON NEXT PAGE

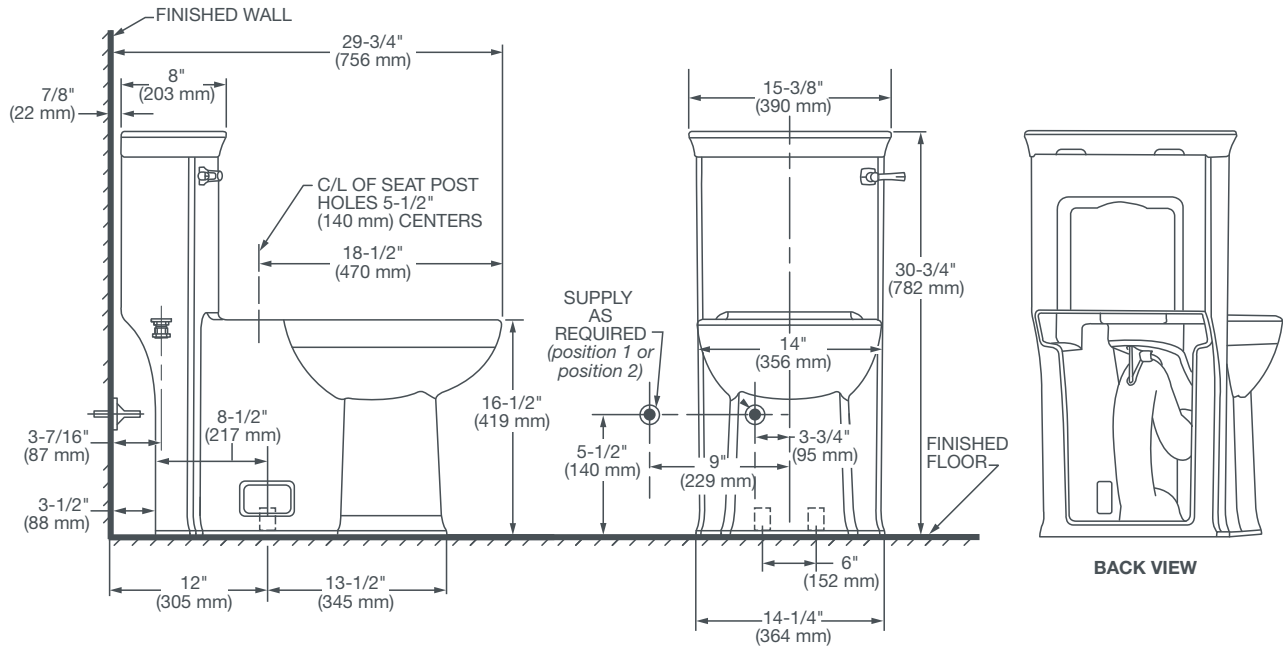
CALGreen® is a registered trademark of California Building Standards Commission.



Meets the Americans with Disabilities Act Guidelines and ANSI A117.1 Requirements for Accessible and Usable Building Facilities-Check Local Codes

WYATT®

ONE-PIECE ELONGATED TOILET



NOTES:

This toilet is designed to rough-in at a minimum dimension of 12" (305 mm) from finished wall to C/L of outlet.
 Supply not included with fixture and must be ordered separately.
 Dimensions shown for location of supply is suggested.

IMPORTANT:

Dimensions of fixtures are nominal and may vary within the range of tolerance established by ANSI Standard A112.19.2.
 These measurements are subject to change or cancellation. No responsibility is assumed for use of superseded or voided pages.

PART OF LIXIL