

# ASHBEE™

## TISSUE HOLDER



- Solid brass construction
- Concealed mounting
- Includes assembly hardware

**AVAILABLE FINISHES**

Polished Chrome  
 Brushed Nickel  
 Platinum Nickel

**FINISH CODE**

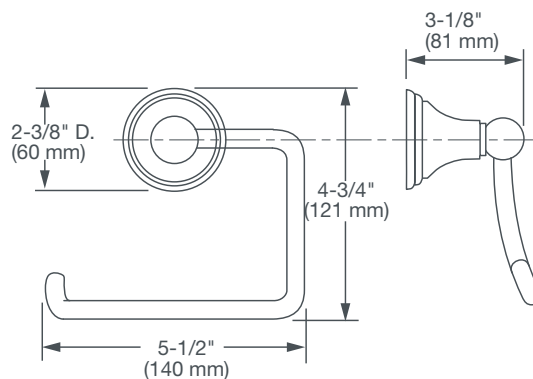
100  
 144  
 150

**DESCRIPTION**

Tissue Holder

**PRODUCT NUMBER**

D35101235.XXX



**IMPORTANT:** These measurements are subject to change or cancellation. No responsibility is assumed for use of superseded or voided pages.

PART OF **LIXIL**