

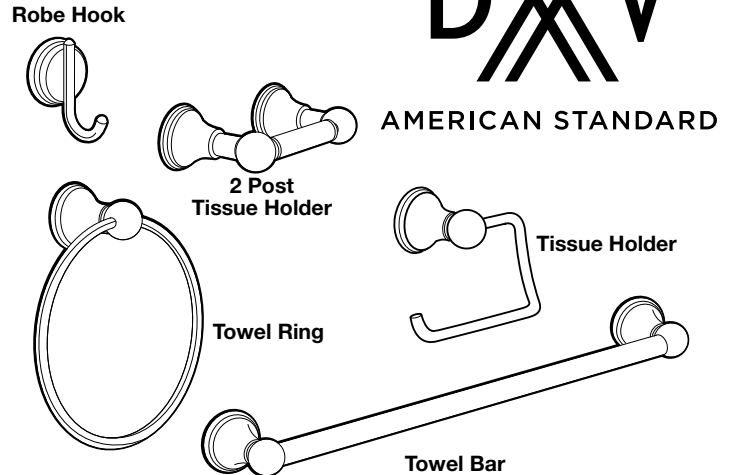
INSTALLATION INSTRUCTIONS



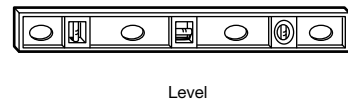
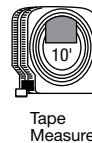
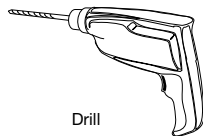
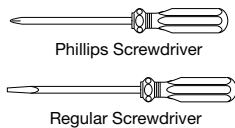
Ashbee™ Wall Mounted Accessories

- Robe Hook – Model D35101.210.XXX
- Towel Ring 6" – Model D35101.190.XXX
- Towel Bar 24" – Model D35101.240.XXX
- Tissue Holder – Model D35101.235.XXX
- Tissue Holder – Model D35101.230.XXX
- 2 Post

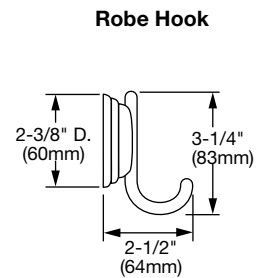
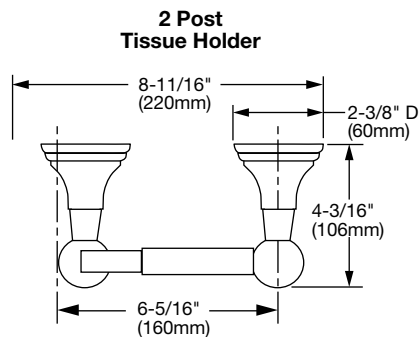
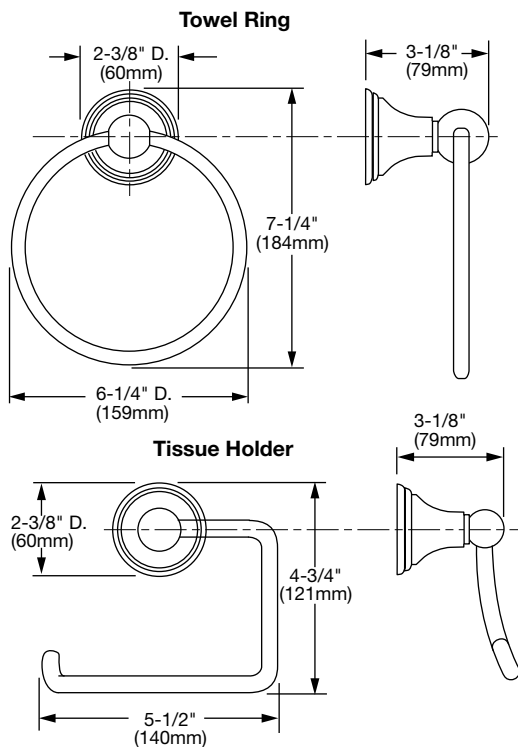
Thank you for selecting DXV by American Standard. To ensure that your installation proceeds smoothly, please read these instructions carefully before you begin.



RECOMMENDED TOOLS AND MATERIALS



ROUGHING-IN DIMENSIONS:



Available Finishes

POLISHED CHROME	100
BRUSHED NICKEL	144
PLATINUM NICKEL	150

In the United States:
 DXV by American Standard
 One Centennial Avenue
 Piscataway, New Jersey 08855
 Attention: Director of Customer Care

For residents of the United States, warranty information may also be obtained by calling the following toll free number: (800) 227-2734
www.DXV.com

In Canada:
 DXV by American Standard
 5900 Avebury Road
 Mississauga, Ontario
 L5R 3M3
 Canada

Toll Free: 1-800-387-0369
 Local: 905-306-1093
 Fax: 1-800-395-1498
www.DXV.ca

In Mexico:
 DXV by American Standard
 Via Morelos 330
 Col. Santa Clara Coatitla
 Ecatepec, Estado de México 55540

Toll Free: 01-800-8391200
www.DXV.mx

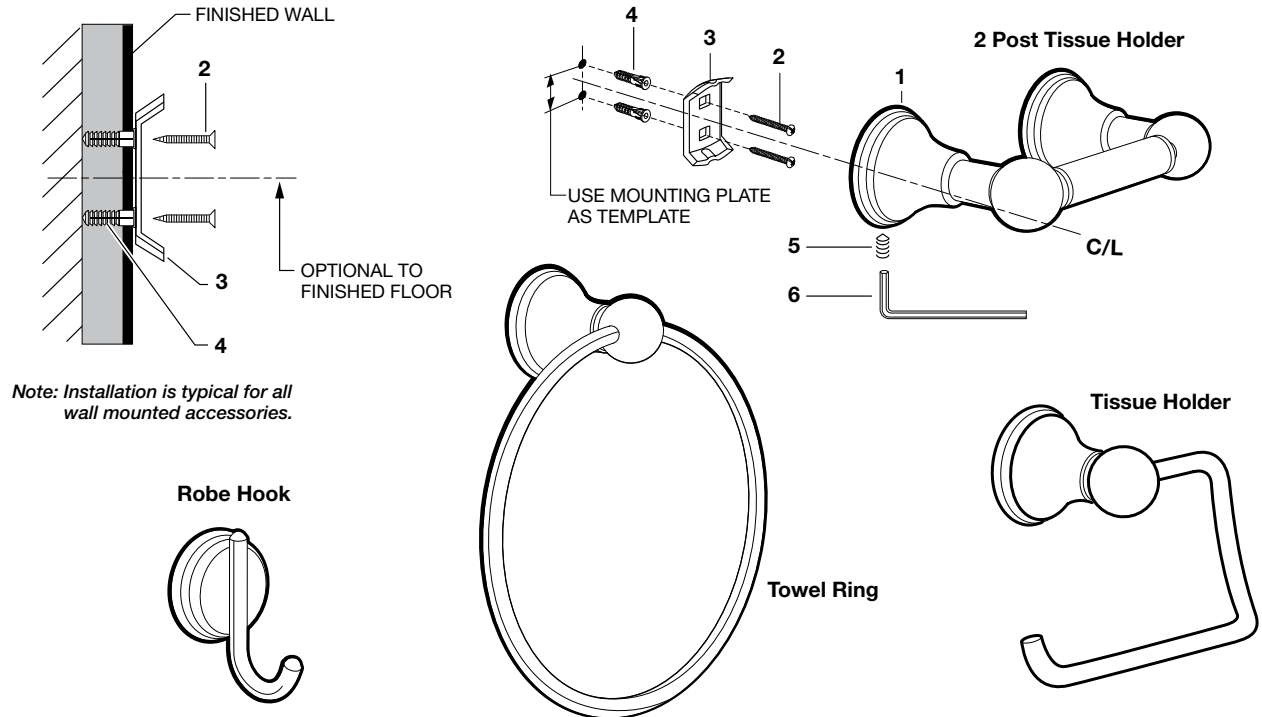
SAVE FOR FUTURE USE

1 INSTALL WALL BRACKET

- The wall mounted accessories (1) work best if secured to a wall stud or cross brace within the wall, using the SCREWS (2) supplied.
- If the WALL MOUNTED ACCESSORIES (1) are to be installed on a tile or plaster wall the ANCHORS (4) and SCREWS (2) should be used.
- Determine desired height and location (optional) and mark a center line. Using the MOUNTING PLATE (3) as a template mark the two spots for the ANCHORS (4). If MOUNTING PLATE (3) is secured to a stud or cross brace drill small pilot holes for SCREWS (2).
- *For installations on drywall or tiled walls:* Use ANCHORS (4) and SCREWS (2) for securing MOUNTING PLATE (3) to finished wall. Drill two 1/4" dia. holes a minimum of 1-3/4" deep. Insert the two ANCHORS (4) flush with face of the finished wall.
- Secure MOUNTING PLATE (3) to wall with SCREWS (2).

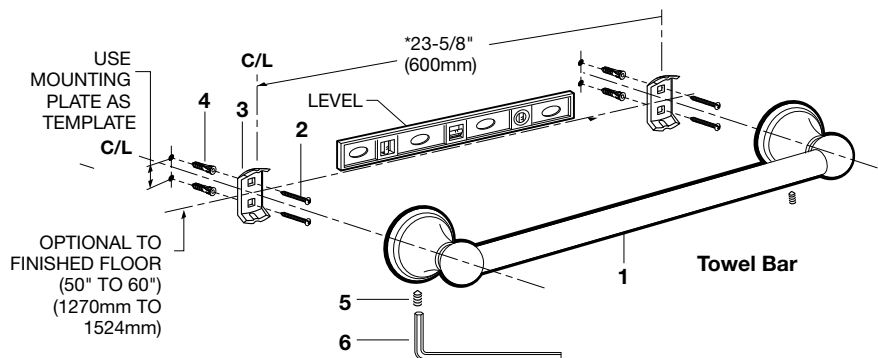
2 INSTALL ACCESSORY

- Install WALL MOUNTED ACCESSORY (1) onto installed MOUNTING PLATE (3). Push WALL MOUNTED ACCESSORY (1) flush against finished wall and tighten SET SCREW (5) with HEX WRENCH (6) supplied with accessory.



3 INSTALL TOWEL BAR

- See detail for the center to center dimension of TOWEL BARS (1). For installation of the MOUNTING PLATE (3) see step 1.
- Note: The center line of MOUNTING PLATES (3) must be level.
- Install TOWEL BAR (1) onto installed MOUNTING PLATES (3). Push TOWEL BAR (1) flush against finished wall and tighten SET SCREWS (5) with HEX WRENCH (6) supplied with accessory to secure to wall.



*FROM CENTER TO CENTER OF WALL BRACKETS
 *NOTE: MEASUREMENT IS APPROXIMATE ONLY, PLEASE USE BAR AS TEMPLATE FOR ACTUAL CENTER TO CENTER MEASUREMENTS.