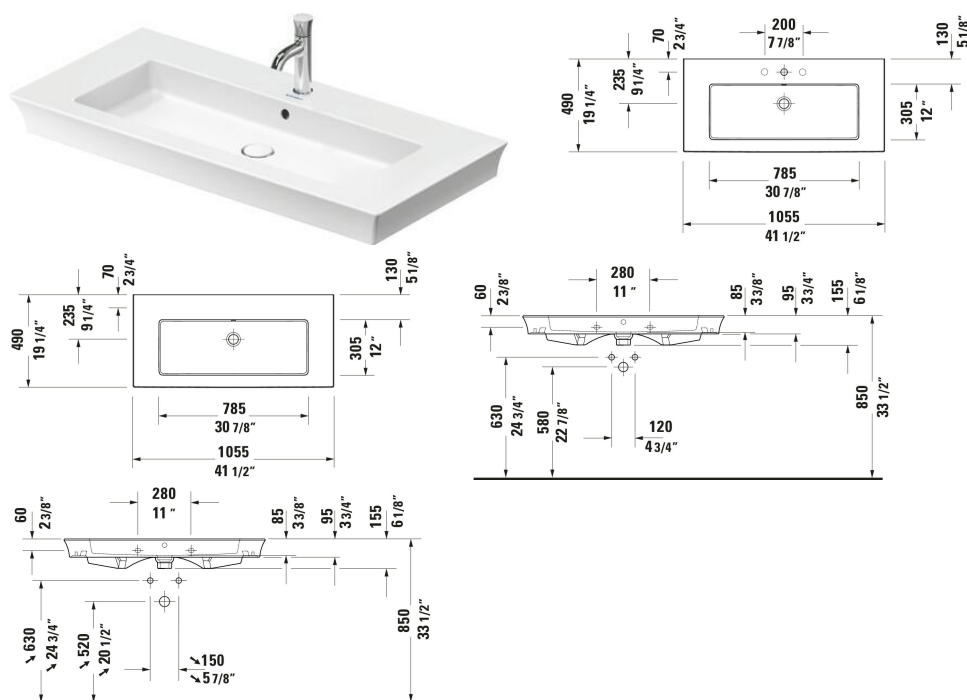


**White Tulip Wall Mounted Sink # 2363100000 / 2363100060**

| &lt; 41 1/2 " &gt; |



Wall Mounted Sink	Dimension	Weight	Order number
Rectangular, Includes faucet deck: Yes, Overflow: Yes, Ground, incl. push-open waste, Includes ceramic drain cover, Underside glazed, 41 1/2 "			
<b>Colors</b>			
00 White			
<b>Variant</b>			
● White High Gloss, Number of basins: 1 Middle, Number of faucet holes: 1 Middle, Back side glazed: Yes	41 1/2 "x6 1/8 "	59.966 lb	2363100000
☒ White High Gloss, Number of basins: 1 Middle, Back side glazed: Yes	41 1/2 "x6 1/8 "	59.966 lb	2363100060
<b>Infobox</b>			
Space-saving siphon is recommended in conjunction with vanity unit / To attach washbasins from a size of 1000 mm, two attachments with article no. # 6951000000 are required			
<b>Spare parts</b>			
P-Trap White, Connection dimensions: 1 1/4"	14 1/8 x 15 3/8 "	0.82 lb	005076
P-Trap Material: Brass, Outlet: horizontal, Suitable for Wall Mounted Sink	2 3/4 x 16 3/4 "	3.307 lb	005036

**White Tulip Wall Mounted Sink # 2363100000 / 2363100060**

|< 41 1/2 " >|

**Suitable products**

Vanity Cabinet Number of drawers: 2, Without handle, Siphon cut-out: Yes, Panel: Yes, Slow close, Pressure inlet, Interior lighting: Optional, Drawer organizer Optional, Required Items: Wall Mounted Sink White Tulip # 236310, 38 3/4 x 18 "	38 3/4 x 18 "	WT4342
Vanity Cabinet Number of drawers: 2, Handle Chrome, Siphon cut-out: Yes, Panel: Yes, Slow close, Interior lighting: Optional, Drawer organizer Optional, Required Items: Wall Mounted Sink White Tulip # 236310, 38 3/4 x 18 "	38 3/4 x 18 "	WT4352
Console Number of storage surface: 1, Number of towel rails: 1, Pedestal color: Chrome High Gloss Aluminum, Adjustable height, Required Items: Wall Mounted Sink White Tulip # 236310, 38 3/4 x 17 3/4 "	38 3/4 x 17 3/4 "	WT4544 L/R
Console Number of storage surface: 1, Number of towel rails: 2, Pedestal color: Chrome High Gloss Aluminum, Adjustable height, Required Items: Wall Mounted Sink White Tulip # 236310, 38 3/4 x 17 3/4 "	38 3/4 x 17 3/4 "	WT4547 B

*All drawings contain the necessary measurements which are subject to standard tolerances. They are stated in inch & mm and are non-binding. Exact measurements, in particular for customized installation scenarios, can only be taken from the finished ceramic piece.*