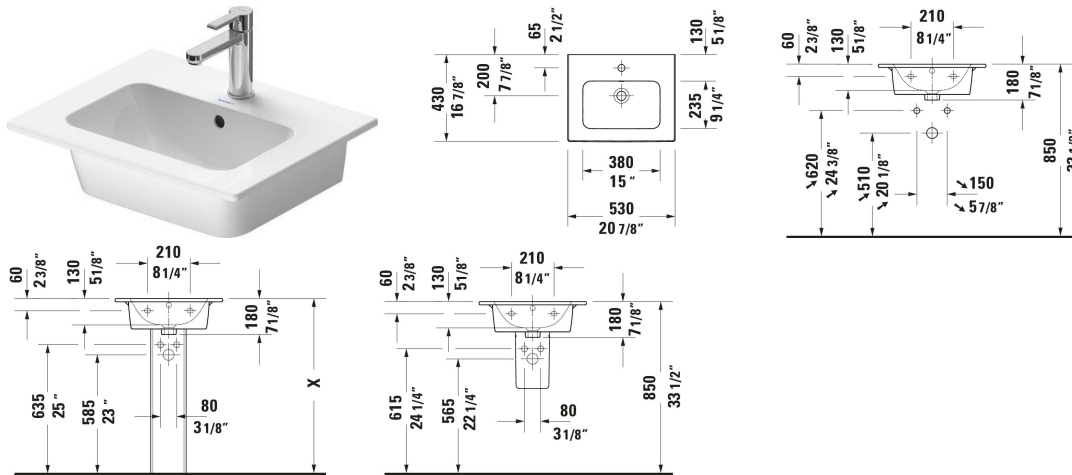


ME by Starck Wall Mounted Sink # 233653..00 / 233653..60 / 233653..00 / 233653..60

| < 20 7/8 " > |



| Wall Mounted Sink | Dimension | Weight | Order number |
|---|-------------------|-----------|--------------|
| Rectangular, Includes faucet deck: Yes, Overflow: Yes, Back side glazed: No, 20 7/8 " | | | |
| Colors | | | |
| 00 White 32 White Satin Matte | | | |
| Variant | | | |
| ● White High Gloss, Number of basins: 1 Middle, Number of faucet holes: 1 Middle | 20 7/8 "x7 1/8 " | 29.101 lb | 233653..00 |
| ⊗ White High Gloss, Number of basins: 1 Middle | 20 7/8 "x7 1/8 " | 29.101 lb | 233653..60 |
| ● White Satin Matte, Number of basins: 1 Middle, Number of faucet holes: 1 Middle | 20 7/8 "x7 1/8 " | 29.101 lb | 233653..00 |
| ⊗ White Satin Matte, Number of basins: 1 Middle | 20 7/8 "x7 1/8 " | 29.101 lb | 233653..60 |
| Infobox | | | |
| Space-saving siphon is recommended in conjunction with vanity unit | | | |
| Spare parts | | | |
| P-Trap White, Connection dimensions: 1 1/4" | 14 1/8 x 15 3/8 " | 0.82 lb | 005076 |
| Sink Drain Suitable for washbasin with overflow, Ø 2 1/2 " | Ø 2 1/2 " | 0.75 lb | 005052 |
| Suitable products | | | |
| Pedestal Installation Type: Floorstanding, 6 7/8 x 8 1/4 " | 6 7/8 x 8 1/4 " | | 085839 |
| Sink Shroud White, Installation Type: Wall-mounted, Hardware included, 6 3/4 x 11 3/4 " | 6 3/4 x 11 3/4 " | | 085840 |

ME by Starck Wall Mounted Sink # 233653..00 / 233653..60 / 233653..00 / 233653..60

|< 20 7/8 " >|

| | |
|---|---------------|
| <p>Vanity Cabinet Compact, Number of drawers: 2, Without handle, Siphon cut-out: Yes, Panel: Yes, Slow close, Pressure inlet, Required Items: Wall Mounted Sink ME by Starck # 233653, 20 1/2 x 16 5/8 " 1/2 x 16 5/8 "</p> | <p>LC6218</p> |
| <p>Vanity Cabinet Number of drawers: 2, Handle Anthracite, Siphon cut-out: Yes, Panel: Yes, Slow close, Required Items: Wall Mounted Sink ME by Starck # 233653, 20 1/8 x 16 1/2 "</p> | <p>K25261</p> |

All drawings contain the necessary measurements which are subject to standard tolerances. They are stated in inch & mm and are non-binding. Exact measurements, in particular for customized installation scenarios, can only be taken from the finished ceramic piece.