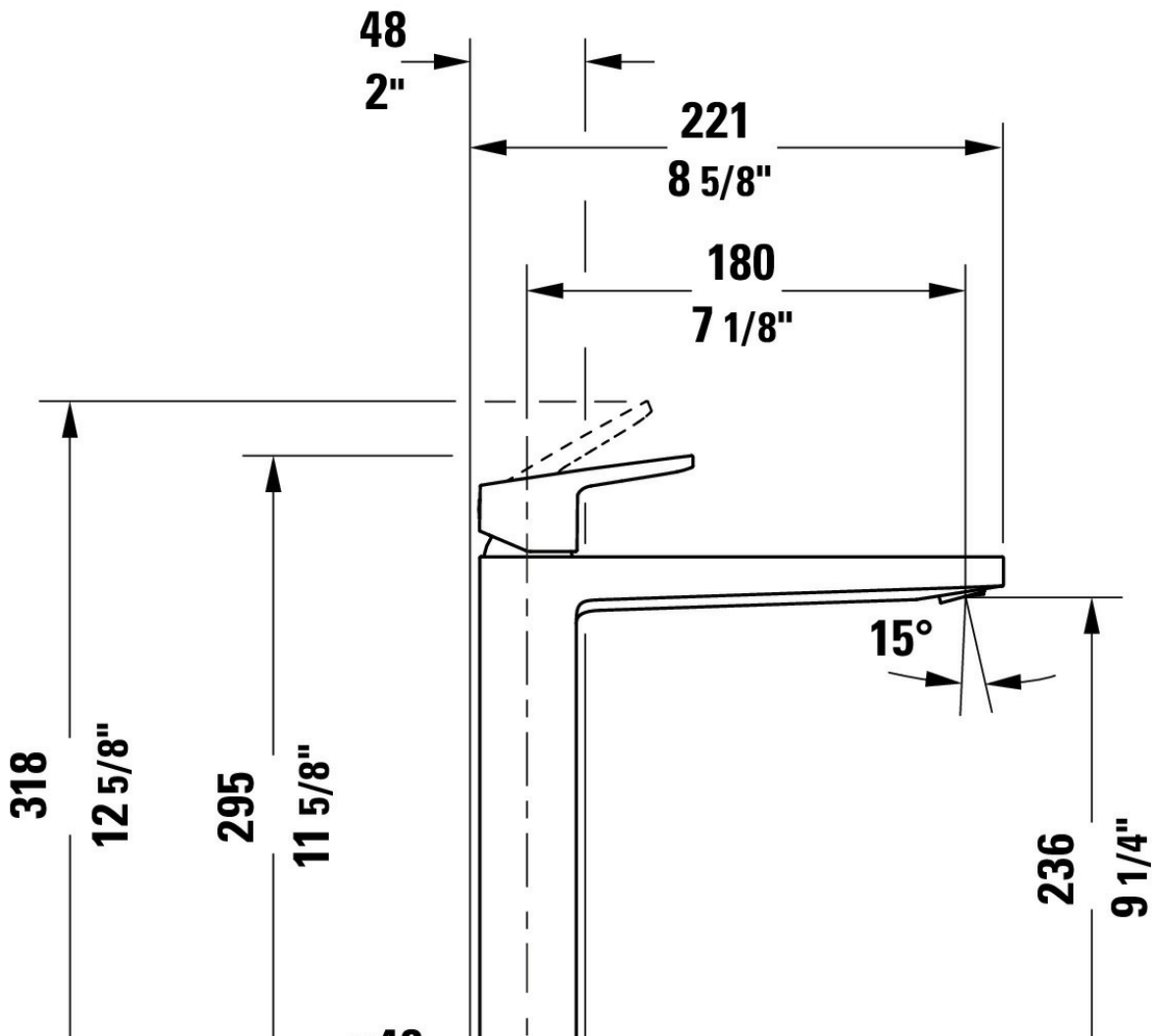


DuraSquare Bathroom Sink Faucet # DS1040001U.. / DS1040001U.. / DS1040001U..

|< 11 5/8 " >|

Bathroom Sink Faucet	Dimension	Weight	Order number
Ceramic cartridge			
Colors			
10 Chrome 46 Black Matte 70 Brushed Stainless Steel			
Variant			
Chrome, Height: 11 5/8 ", Flow rate: 1.2 gal/min, with rotating handle: lever handle, WaterSense: Yes, ADA: Yes, cUPC listed: Yes	2 "x11 5/8 "	4.431 lb	DS1040001U..
Black Matte, Height: 11 5/8 ", Flow rate: 1.2 gal/min, with rotating handle: lever handle, WaterSense: Yes, ADA: Yes, cUPC listed: Yes	2 "x11 5/8 "	4.431 lb	DS1040001U..
Stainless Steel Brushed, Height: 11 5/8 ", Flow rate: 1.2 gal/min, with rotating handle: lever handle, WaterSense: Yes, ADA: Yes, cUPC listed: Yes	2 "x11 5/8 "	4.431 lb	DS1040001U..

All drawings contain the necessary measurements which are subject to standard tolerances. They are stated in inch & mm and are non-binding. Exact measurements, in particular for customized installation scenarios, can only be taken from the finished ceramic piece.



DuraSquare Bathroom Sink Faucet # DS1040001U.. /
DS1040001U.. / DS1040001U..

| < 11 5/8 " > |

