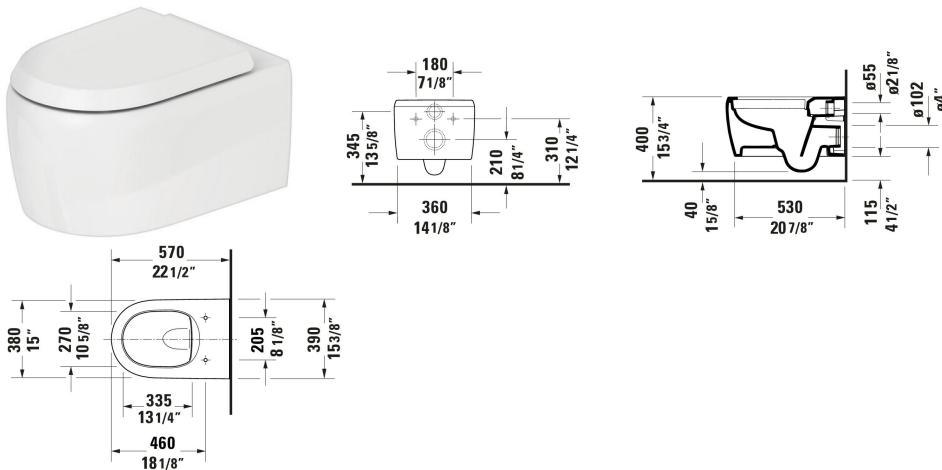


Gatego Wall Mounted Toilet # 2556092092

| < 15 1/8 " > |



Wall Mounted Toilet	Dimension	Weight	Order number
Flush water quantity: 1.2/0.8 gal, Washdown model, Flushing rim: Rimless, Flush system: washdown model, Outlet horizontal, Concealed fixation			
Colors			
20 HygieneGlaze (an antibacterial ceramic glaze that provides almost indefinite effectiveness)			
Variant			
White High Gloss, HygieneGlaze, Flush water quantity: 1.28/0.8 gal, WaterSense: Yes, cUPC listed: Yes		63.934 lb	2556092092
Accessory for ceramics			
Mounting Bracket Suitable for Bidet, Wall Mounted Toilet	Ø 1/2 "	0.617 lb	006500
Spare parts			
Noise reduction gasket	16 1/2 x 15 3/8 "	0.441 lb	005090
Suitable products			
Toilet Seat Shape: D-shaped, Hinge material: Stainless Steel, Hinge color: Light grey, 18 1/4 x 14 1/2 "	18 1/4 x 14 1/2 "		002689

All drawings contain the necessary measurements which are subject to standard tolerances. They are stated in inch & mm and are non-binding. Exact measurements, in particular for customized installation scenarios, can only be taken from the finished ceramic piece.