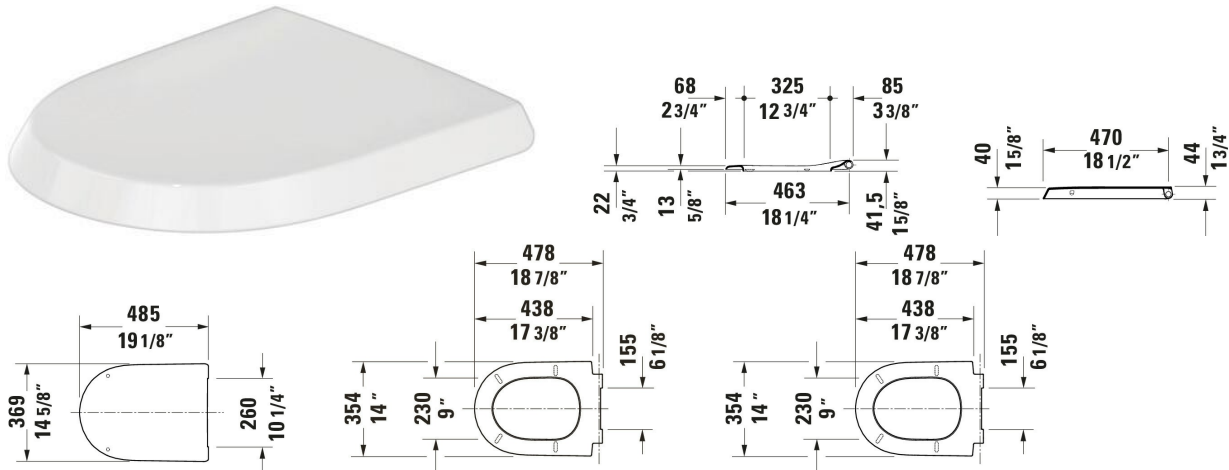


**Qatego Toilet Seat # 0027190000**

| < 19 1/8 " > |



Toilet Seat	Dimension	Weight	Order number
Shape: D-shaped, Hinge material: Stainless Steel, elongated			
Colors			
00 White			
Variant			
White High Gloss, Slow close: Yes, Removable Seat, Hinge color: Stainless Steel, Wrap over		lb	0027190000

*All drawings contain the necessary measurements which are subject to standard tolerances. They are stated in inch & mm and are non-binding. Exact measurements, in particular for customized installation scenarios, can only be taken from the finished ceramic piece.*