



# SensoWash<sup>®</sup> Classic

---

**User manual**

**Notice d'utilisation**

**Manual de uso**

Shower toilet seat

Abattant douche

Asiento de lavado

User manual	<b>EN-US</b>	<b>3</b>
Notice d'utilisation	<b>FR-CA</b>	<b>34</b>
Manual de uso	<b>ES</b>	<b>68</b>

## Table of contents

1	About this document	5
2	Safety	6
2.1	Purpose of the document	6
2.2	Intended use	6
2.3	User requirements	6
2.4	Electrical safety	7
2.5	Important Safeguards USA	9
2.6	Hygiene	11
2.7	Information on the use of batteries	12
2.8	Avoid product damage	12
3	Product overview	14
3.1	Structural and functional description	14
3.1.1	Seat unit	14
3.1.2	LED display on the seat unit	14
3.1.3	Functional area	15
3.1.4	Descaling function/main switch	15
3.2	Factory settings	16
4	Initial operation	17
4.1	Safety	17
4.2	Switch product on	17
4.3	Download the app	17
4.4	Connect the app	17
4.5	Activate the remote control	18
4.5.1	Remote control with batteries	18
5	Operation	19
5.1	Remote control/app	19
5.2	Open and close the cover	21
5.3	Set the user profile by remote control	21
5.4	Energy and water efficiency	21
5.4.1	Energy saving mode (seat heating)	21

6	Cleaning and care	22
6.1	Safety	22
6.2	Cleaning recommendations	22
6.2.1	Cleaning	22
6.2.2	Recommended cleaning agents	23
6.3	Self-cleaning of spray wand and spray nozzle	23
6.4	Manual cleaning mode for the spray wand and spray nozzle	24
6.5	Descaling via RC	24
7	Troubleshooting support	25
7.1	General information	25
7.2	Troubleshooting	25
8	Disposal	30
8.1	Packaging	30
8.2	WEEE	30
9	Technical data	31

## **1 About this document**

All documents related to this product and further information are available online:

- > Access the quick guide in the app. [▶App] Menu – Device guide – Quick guide
- > Access the online documents at [qr.duravit.com](http://qr.duravit.com) or [www.duravit.us](http://www.duravit.us).

## **2 Safety**

### **2.1 Purpose of the document**

The instructions are part of the Duravit product. Failure to follow the instructions may result in personal injury, product damage and/or property damage.

- > Read and follow the instructions.
- > Keep this document and pass it on to subsequent users.

We reserve the right to make technical improvements and visual changes to the products illustrated.

### **2.2 Intended use**

SensoWash® is a shower toilet with a spray device for Rearwash and Ladywash cleaning. The product may only be used indoors. Duravit assumes NO liability for any use beyond the intended use or other types of use.

### **2.3 User requirements**

This product may be used by children aged 8 years and older or by persons with reduced physical, sensory or mental capabilities or a lack of experience and/or knowledge if they are supervised or instructed in the safe use of the product and understand the dangers involved.

- > Children may NOT play with the product.
- > Cleaning and maintenance must NOT be performed by children without supervision.

## **2.4 Electrical safety**

### **Risk of fatal injury caused by electric shock**

Contact with electricity can lead to a fatal electric shock.

#### **General precautions**

- > The product must be earthed. Do NOT operate the product without proper grounding. Observe the mounting instructions.
- > The product itself does not have an electrical leakage protection function, it must be installed in a power circuit where a leakage protection device is installed.
- > Means for disconnection must be incorporated in the fixed wiring in accordance with the wiring rules and having a contact separation in all poles that provide full disconnection under overvoltage category III conditions.

#### **Avoid damage to the power cable**

If the power supply cable on this product is damaged, it must be replaced by the manufacturer, the customer service agent or similarly qualified persons in order to avoid a hazard.

- > Ensure that the power cable is NOT damaged.
- > The power cable must NOT become jammed or pinched.
- > Keep the power cable away from hot surfaces and sharp edges.

#### **Do NOT use a damaged product**

Do NOT use the product if the product does not function properly or is damaged.

- > Switch off the product.
- > Disconnect the power supply.
- > Close the stop valve to interrupt the water supply.
- > Contact [help@duravit.com](mailto:help@duravit.com).

## **Do NOT repair the product yourself**

Repairs must only be carried out by persons with the necessary expertise and qualification.

- > Do NOT make modifications, tamper with, install additional equipment or attempt to repair the product.
- > Only use accessories recommended by Duravit.

## **Avoid condensation**

- > Do NOT install the product in a room exposed to excessive moisture. Ensure sufficient ventilation to avoid condensation in electric components.
- > When the product is brought from a cold location to a warm one, leave the unit switched off for a few hours to avoid condensation.



## 2.5 Important Safeguards USA

When using electrical products, especially when children are present, basic safety precautions should always be followed, including the following:

READ ALL INSTRUCTIONS BEFORE USING

### **DANGER**

#### **To reduce the risk of electrocution**

- > Do NOT use while bathing.
- > Do NOT place or store product where it can fall or be pulled into a tub or sink.
- > Do NOT place in or drop into water or other liquid.
- > Do NOT reach for a product that has fallen into water. Unplug immediately.

### **WARNING**

#### **To reduce the risk of burns, electrocution, fire, or injury to persons**

- > Close supervision is necessary when this product is used by, on, or near children or people with disabilities.
- > Use this product only for its intended use as described in this manual. Do NOT use attachments NOT recommended by the manufacturer.
- > NEVER operate this product if it has a damaged cord or plug, if it is not working properly, if it has been dropped or damaged, or dropped into water. Return the product to a service center for examination and repair.
- > Keep the cord away from heated surfaces.
- > NEVER block the air openings of the product or place it on a soft surface, such as a bed or couch, where the air openings may be blocked.
- > Keep the air openings free of lint, hair, and the like.
- > NEVER use while sleeping or drowsy.
- > NEVER drop or insert any object into any opening or hose.

- > Do NOT use outdoors or operate where aerosol (spray) products are being used or where oxygen is being administered.
- > Connect this product to a properly grounded outlet only (For cordconnected models only). See Grounding Instructions.
- > Unplug this product before filling. Fill (reservoir) with water only unless otherwise specified by manufacturer. Do NOT overfill (or specify filling instructions).

## SAVE THESE INSTRUCTIONS

For all grounded, cord connected products:

### **Grounding instructions**

This product should be grounded. In the event of an electrical short circuit, grounding reduces the risk of electric shock by providing an escape wire for the electric current. This product is equipped with a cord having a grounding wire with a grounding plug. The plug must be plugged into an outlet that is properly installed and grounded.

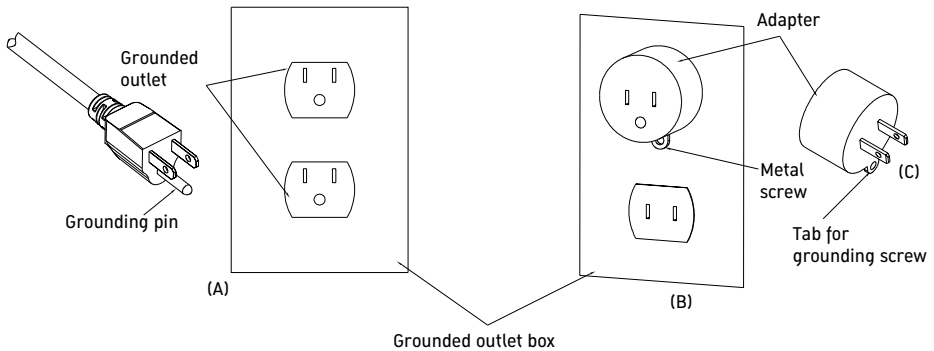
### **⚠ DANGER**

**Improper use of the grounding plug can result in a risk of electric shock.**

- > If repair or replacement of the cord or plug is necessary, do NOT connect the grounding wire to either flat blade terminal. The wire with insulation having an outer surface that is green with or without yellow stripes is the grounding wire.
- > Check with a qualified electrician or serviceman if the grounding instructions are not completely understood, or if in doubt as to whether the product is properly grounded.

This product is for use on a nominal 120 V circuit, and has a grounding plug that looks like the plug illustrated in sketch A in Figure below. A temporary adapter, which looks like the adapter illustrated in sketches B and C, may be used to connect this plug to a 2-pole receptacle as shown in sketch B if a properly grounded outlet is not available. The temporary adapter should be used only until a properly grounded outlet (sketch A) can be installed by a qualified electrician. The green colored rigid ear, lug, and the like

extending from the adapter must be connected to a permanent ground such as a properly grounded outlet box cover. Whenever the adapter is used, it must be held in place by the screw.



For units converted into a permanently connected device:

## Grounding instructions

This product should be connected to a grounded, metallic, permanent wiring system, or an equipment-grounding conductor should be run with the circuit conductors and connected to the equipment grounding terminal or lead on the product.

## 2.6 Hygiene

### Damage to health caused by dirty, polluted or long standing water

Operating the shower functions with dirty, polluted or long standing water can cause damage to health.

- > Supply the product with cold potable water from the main water system.
- > Do NOT connect any waste water, grey water, industrial water, sea water or other untreated or semi-treated water.
- > Only use the water supply hoses provided with the product. Do NOT reuse old hoses.
- > If the product has NOT been used for two weeks or more, activate the additional self-cleaning.

## **2.7 Information on the use of batteries**

The batteries are located in the remote control.

### **Risk of fatal injury if swallowed/chemical burn hazard**

This product contains coin/button cell batteries. Do NOT ingest battery! If the cell battery is swallowed, it can cause severe internal burns in just 2 hours and can lead to death.

- > Do NOT ingest battery, Chemical Burn Hazard.
- > Keep new and used batteries away from children. If the battery compartment does NOT close securely, stop using the product and keep it away from children.
- > If you think batteries might have been swallowed or placed inside any part of the body, seek immediate medical attention.

### **Damage to health caused by leaking battery acid**

- > Avoid contact with the skin, eyes and mucous membranes if battery acid has leaked.
- > In case of contact with the acid, flush the affected areas with large amounts of clean water and seek medical advice immediately.
- > Do NOT expose the batteries to extreme conditions: Do NOT place them on hot surfaces NOR expose them to direct sunlight due to risk of leakage.
- > The batteries must be disposed of properly and kept away from children. Even used batteries can cause injury.

## **2.8 Avoid product damage**

### **Information on the use of batteries**

- > The batteries must NOT be charged, reactivated by other means, disassembled or subjected to excessive heat (e.g. fire).
- > The pole terminals must NOT be short-circuited.
- > Always remove empty batteries from the remote control immediately. They may leak and cause damage.

- > Do NOT insert new and old batteries together in the remote control.
- > Different types of batteries must NOT be combined.
- > Clean the battery and contacts before inserting the battery.
- > The batteries must be inserted according to the marking with the correct polarity.
- > Remove the batteries when the remote control is NOT used for an extended period of time.

### **Product damage or malfunctions as a result of improper use**

- > Do NOT step on or stand on the product.
- > Do NOT intentionally pollute, spray or clog the spray wand.

### **Avoid damage to the seat and cover**

- > Do NOT stand, sit or lean on the cover.
- > Do NOT remove the seat and cover.
- > Do NOT damage the surface of the seat. If the surface of the seat is damaged, contact [help@duravit.com](mailto:help@duravit.com).
- > Use the remote control or app to open and close the cover.
- > Do NOT interrupt auto opening or auto closing with manual force.
- > Do NOT place any heavy objects on the cover.

### **Damage through freezing water**

- > Do NOT install and operate the product in rooms where there is a danger of frost. The room temperature must not be less than 4 °C (39 °F).

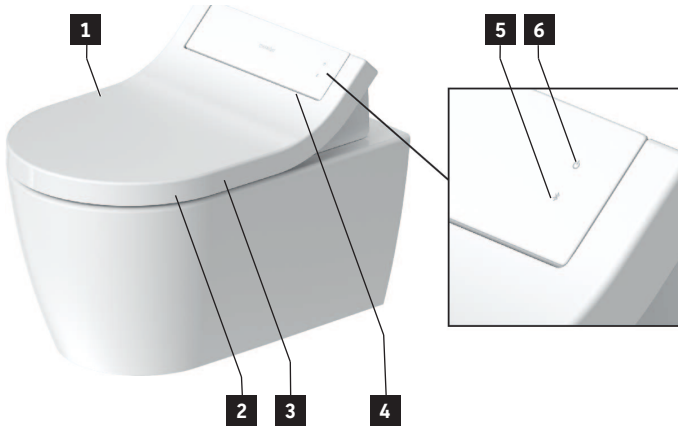
### **Damage caused by external influences**

- > Do NOT place or lay open fire sources i.e. candles, cigarettes or the like on the product.
- > Do NOT expose the product to direct water or direct sunlight.

### 3 Product overview

#### 3.1 Structural and functional description

##### 3.1.1 Seat unit



**1** Sensor auto opening lid

**2** Seat sensor

**3** Seat heating

**4** Night light

**5** Bluetooth button/Bluetooth display (LED)

**6** Power button/status display (LED)

##### 3.1.2 LED display on the seat unit

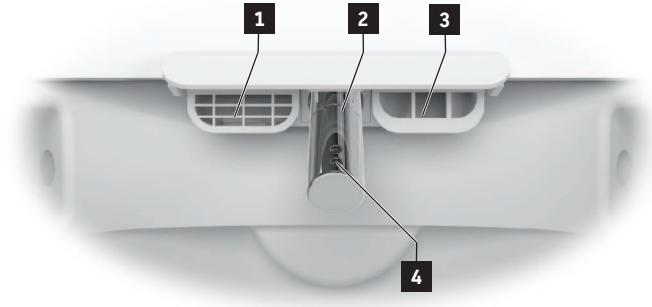
#### Power button

LED	Function
Red	Standby mode
Green	Switched on
Orange	Energy saving mode
Flashing	Malfunction > Switch off the product. > Disconnect the power supply. > Close the stop valve to interrupt the water supply. > Contact <a href="mailto:help@duravit.com">help@duravit.com</a> .

## Bluetooth button

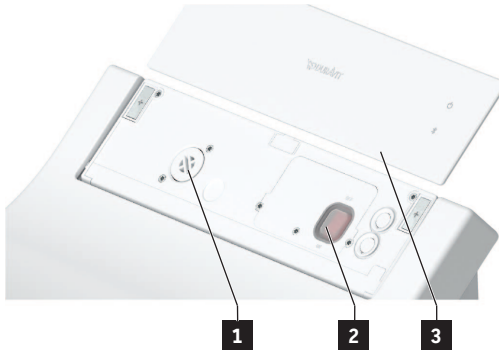
LED	Function
Blue	Bluetooth is available or connected.
Off	Bluetooth is not available.
Flashing	Device is in pairing mode.

### 3.1.3 Functional area



- 1** Internal overflow
- 2** Spray wand
- 3** Warm air dryer
- 4** Spray nozzle

### 3.1.4 Descaling function/main switch



- 1** Descaling connection
- 2** Main switch (main power supply)
- 3** Magnetic cover

## 3.2 Factory settings

Function	Setting range	Factory setting
Auto opening/Auto closing cover	on/off	off
Comfortwash	on/off	on
Warm air dryer temperature	off/low/medium/high	medium
Spray wand position	1, 2, 3, 4, 5	3
Water spray intensity	low/medium/high	medium
Water temperature	off/low/medium/high	medium
Seat heating	on/off	on
Energy saving mode	on/off	off
Night light	off/auto/on	auto
Confirmation tone	on/off	on



## 4 Initial operation

### 4.1 Safety



#### CAUTION

#### **Damage to health caused by dirty, polluted or long standing water**

Operating the shower functions with dirty, polluted or long standing water can cause damage to health.

- > If the product has NOT been used for two weeks or more, activate the additional self-cleaning.

### 4.2 Switch product on

The product must be completely installed and connected to the main power supply and water supply in accordance with the mounting instructions.

- > Ensure that the stop valve is open.
- > Switch on the product via the power switch.

### 4.3 Download the app



- > Search for "SensoWash 2.0" in the Play Store (Android) or for "SensoWash" in the App Store (iOS).
- > If necessary, agree to access the location services (GPS).
- > Download the app.

### 4.4 Connect the app

The product connects to the app via Bluetooth. Power and bluetooth have to be activated to establish the connection.

- > Activate the product via the power button/status display (LED) on the seat unit.

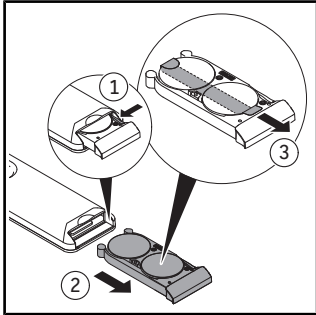
The button starts to flash.

- > Activate Bluetooth via the Bluetooth button/Bluetooth display (LED) on the seat unit.
- > Activate the app on the mobile device.
- > Follow the step-by-step instructions in the app.

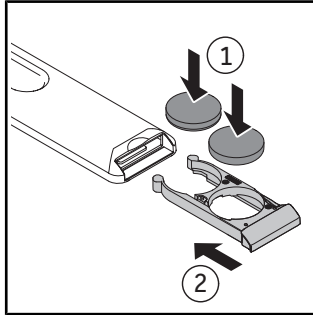
The app confirms when the connection is established.

## 4.5 Activate the remote control

### 4.5.1 Remote control with batteries



- > Pull out the battery compartment.
- > Press the lever to fully open the battery compartment.
- > Remove the protective film.



- > Insert the batteries (CR2450).
- > Close the battery compartment.

## 5 Operation

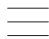

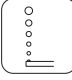


### 5.1 Remote control/app






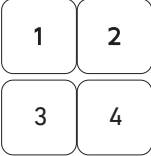


The product can be controlled by remote control (basic setting range) and/or by app (extended setting range). A number of settings can only be made via the app. The functions are configured according to the factory settings.

> Download the app to complete the full range of settings available for this product.



\*The functional scope shown in the pictures are for illustration purposes. The actual functional scope may vary by model.

Symbol	Name
	Menu
	Add/delete device.
	Activates <b>Rearwash</b> . If the function is not stopped, it automatically ends after 2 minutes.
	Activates <b>Ladywash</b> . If the function is not stopped, it automatically ends after 2 minutes.
	Activates (short beep) / deactivates (long beep) <b>Seat Heating</b> .

Symbol	Name
	<p>Activates <b>Warm Air Dryer</b>.</p> <p>The function can be set to the levels off, low, medium, high. If the function is not stopped, it automatically ends after 5 minutes.</p> <p>[▶App] Home – Warm air dryer – Temperature</p>
	<p>Adjusts <b>Water Temperature</b>.</p> <p>The function can be set to the levels off, low, medium, high. The settings are indicated on the remote control (LED) and in the app.</p> <p>[▶App] Home – Rearwash/Ladywash</p>
	<p>Adjusts <b>Water Spray Intensity</b>.</p> <p>The function can be set to the levels low, medium, high. The settings are indicated on the remote control (LED) and in the app.</p> <p>[▶App] Home – Rearwash/Ladywash</p>
	<p>Adjusts <b>Spray Wand Position</b>.</p> <p>The function can be set to the levels 1, 2, 3, 4 and 5. The settings are indicated on the remote control (LED) and in the app.</p> <p>[▶App] Home – Rearwash/Ladywash</p>
	<p>Activates <b>Odor Extraction</b>.</p> <p>If the function is not stopped, it automatically ends after 1 minute.</p>
	<p>Activates <b>User Profile</b> (remote control only).</p>
	<p>Opens/closes the <b>cover</b>.</p>
	<p><b>Stops</b> the running function.</p>

**TIP** The seat has a sensor. Shower and drying functions can only be activated when a user is sitting on the toilet.

## 5.2 Open and close the cover

### NOTE

#### Damage to the seat unit

Interrupting the current mechanical opening and closing of the cover can cause damage to the product.

- > Do NOT interrupt the mechanical opening and closing of the cover with manual force.

The cover can be opened and closed by remote control or the app. The product also has a proximity sensor. The cover opens and closes without contact as soon as a user approaches or moves away.

## 5.3 Set the user profile by remote control

Personal preferences can be stored in various user profiles.

- > Activate the Rearwash/Ladywash.
- > Set the spray wand position, water spray intensity and water temperature while the function is active.

The LEDs on the remote control indicate the settings.

- > Press the user profile 1/2/3/4 for 3 seconds to save the profile.

**TIP** The seat has a sensor. Shower and drying functions can only be activated when a user is sitting on the toilet.

## 5.4 Energy and water efficiency

To minimize the consumption of natural resources, the product has an instant heating system and an auto-stop function for all shower and drying functions. The following settings can be adjusted to save energy in daily use:

### 5.4.1 Energy saving mode (seat heating)

Deactivates the seat heating for a specified period of time, e.g. during daytime, while at work. When the function is activated, the seat heating is deactivated for 8 hours and then automatically reactivated for 16 hours. This procedure is repeated at the same time every day until the function is deactivated.

- > Activate energy saving mode via the app. [▶App] Menu – Settings – Seat

## 6 Cleaning and care

### 6.1 Safety



#### **WARNING**

##### **Risk of fatal injury caused by electric shock**

The seat unit contains the electrical components of the product.

- > Disconnect the product from the main power supply before cleaning.
- > Do NOT pour water over the seat unit.
- > Do NOT allow water to get into the seat unit.

\*Only Pro variant

#### **NOTE**

##### **Product damage due to incorrect cleaning and care**

Incorrect cleaning agents, cleaning tools and cleaning equipment can damage the surface and permanently discolor it.

- > Only use cleaning agents and cleaning tools recommended by Duravit.
- > Follow the cleaning agent manufacturer's instructions for use.
- > Only use cleaning equipment that is intended for the application (NO high-pressure washers or steam cleaning machines).

#### **NOTE**

##### **Product damaged caused by spray mist**

Spray can penetrate into very small openings and gaps and damage the surface.

- > Spray the spray cleaner onto the cleaning cloth and not directly onto the product.

#### **NOTE**

##### **Product damage caused by long cleaning intervals**

If the cleaning is not carried out regularly enough, soiling may become more difficult to remove.

- > Regularly clean the surface and clean immediately if soiled.

### 6.2 Cleaning recommendations

#### 6.2.1 Cleaning

- > Clean the surface with a damp cleaning cloth.
- > Remove heavier soiling with the recommended cleaning agent. Always apply the cleaning agent to the cleaning cloth.
- > Use a toilet brush to clean the toilet/urinal bowl.
- > Rinse with clean water to remove all traces of the cleaning agent.
- > Dry the surface.

## 6.2.2 Recommended cleaning agents

Component	Cleaning agent	Cleaning tools
Seat and cover	Neutral cleaning agent (pH 6 – 8) (e.g. neutral cleaner)	Cotton cleaning cloth
Cover	Neutral cleaning agent (pH 6 – 8) (e.g. neutral cleaner)	Cotton cleaning cloth
Spray wand/spray nozzle	Neutral cleaning agent (pH 6 – 8) (e.g. neutral cleaner)	– Microfiber cleaning cloth – Abrasive sponge
Ceramic Daily cleaning	Neutral cleaning agent (pH 6 – 8) (e.g. neutral cleaner)	– Microfiber cleaning cloth – Toilet brush
Ceramic Limescale	Acidic cleaning agent (pH < 6) (e.g. lemon-based cleaner)	– Microfiber cleaning cloth – Toilet brush
Remote control	Water	Cotton cleaning cloth

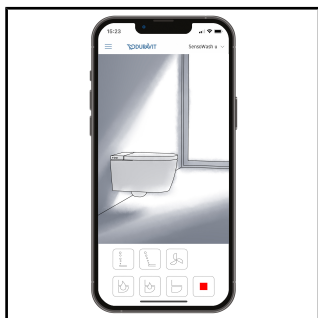
### 6.3 Self-cleaning of spray wand and spray nozzle

The retracted spray wand is automatically cleaned before and after each washing process.

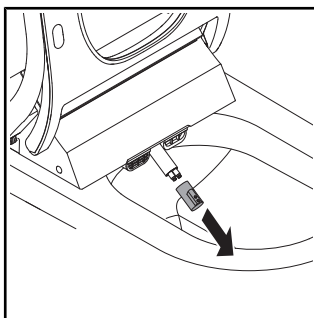
- > If the product has NOT been used for two weeks or more, activate the additional self-cleaning via the app. [▶App] Menu – Care – Self-cleaning

## 6.4 Manual cleaning mode for the spray wand and spray nozzle

Manual cleaning is only possible if the seat sensor is not activated.



> Activate manual cleaning mode via the app.  
[>App] Menu – Care – Manual cleaning



> Remove the spray nozzle for cleaning.

**TIP** The function can only be activated if nobody is sitting on the toilet/the seat sensor is not activated.

## 6.5 Descaling via RC

### NOTE

#### Functional restrictions or product damage due to limescale build-up

Limescale can build-up in regions with hard water. Limescale can impair the performance of the product.

- > Check the water quality in the region. Duravit recommends the installation of a water softener with water hardness  $\geq 14$  °dH (2.5 mmol/l).
- > Descale the product regularly. The app sends an automatic reminder.
- > Configure the descaling settings according to the regional water hardness.  
[>App] Menu – Care – Descaling
- > Only use original descaling agents from Duravit or those approved by Duravit.

Water hardness	Descaling cycle
soft: <8.4 °dH (1.5 mmol/l)	every six months
medium: 8.4 – 14 °dH (1.5 – 2.5 mmol/l)	every six months
hard: >14 °dH (2.5 mmol/l)	quarterly

The descaling process can be activated via the app.

- > Follow the instructions in the app.

The descaling process can be activated via the remote control.



## 7 Troubleshooting support

### 7.1 General information

What to do if there is an issue:

- > Switch the product off and then on again.
- > Follow the instructions below.
- > If the product still does not work properly, contact [help@duravit.com](mailto:help@duravit.com).
- > Have the article number at hand. The article number can be found in the Technical Data at the end of the user manual, on the packaging label, on the product label, in the mounting instructions and in the app.  
[>App] Menu – Device guide – Device management – Device information

### 7.2 Troubleshooting

Problem	Potential cause	Solution
<b>LED display (seat unit)</b>		
The LED display flashes (red, green, orange) or a beep sounds.	Malfunction	<ul style="list-style-type: none"><li>&gt; Switch off the product.</li><li>&gt; Disconnect the power supply.</li><li>&gt; Close the stop valve to interrupt the water supply.</li><li>&gt; Contact <a href="mailto:help@duravit.com">help@duravit.com</a>.</li></ul>
<b>General problems</b>		
Product does not work.	The product is switched off (power button/status display is off).	> Switch on the product.
	The product is in standby mode (power button/status display lights up red).	> Activate the product.
Water is leaking out.	Leakage	<ul style="list-style-type: none"><li>&gt; Switch off the product.</li><li>&gt; Disconnect the power supply.</li><li>&gt; Close the stop valve to interrupt the water supply.</li><li>&gt; Contact <a href="mailto:help@duravit.com">help@duravit.com</a>.</li></ul>

<b>Problem</b>	<b>Potential cause</b>	<b>Solution</b>
<b>Remote control</b>		
The remote control does not respond.	The batteries are almost out (LED display flashes white).	> Replace the batteries.
	The remote control is not connected to the product (LED display flashes red).	> Contact help@duravit.com.
	No batteries are inserted.	> Insert the batteries.
	The remote control is defective.	> Contact help@duravit.com.
<b>Shower functions</b>		
Switching between the Rearwash and Ladywash takes too long.	The spray wand retracts between the functions. Switching takes approx. 12 seconds.	Normal condition
The water spray intensity is too weak.	The water spray intensity is set to "low".	> Increase the water spray intensity. [▶App] Home – Rearwash/ Ladywash
	The water pipe is bent or crushed.	> Contact help@duravit.com.
The water spray intensity is unstable.	The water filter is blocked.	> Contact help@duravit.com.
The water temperature is too high/low.	The temperature is set incorrectly.	> Set the temperature. [▶App] Home – Rearwash/ Ladywash
The Rearwash/Ladywash stops automatically.	The function stops automatically after 2 minutes.	Normal condition
	The seat sensor has lost contact.	> Sit down again. > Activate the function.

<b>Problem</b>	<b>Potential cause</b>	<b>Solution</b>
The Rearwash/Ladywash does not work.	The spray nozzle is blocked.	> Clean the spray nozzle. [▶App] Home – Rearwash/Ladywash
	The seat sensor has lost contact.	> Sit down again. > Activate the function.
<b>Seat heating</b>		
The seat heating does not work.	The function is deactivated.	> Activate the function. [▶App] Settings – Seat
The seat temperature is too high/low.	The temperature is set incorrectly.	> Set the temperature. [▶App] Settings – Seat
The seat temperature is too low.	The product is in energy saving mode (LED display lights up orange).	> Deactivate energy saving mode. [▶App] Settings – Seat
	The product automatically activate energy saving mode if all functions have been inactive for more than 48 hours.	> Select any function to reactivate the product.
<b>Warm air dryer</b>		
The warm air dryer temperature is too high/low.	The temperature is set incorrectly.	> Set the temperature. [▶App] Home – Warm air dryer
The warm air dryer stops automatically.	The function stops automatically after 5 minutes.	Normal condition
	The seat sensor has lost contact.	> Sit down again. > Activate the function.

<b>Problem</b>	<b>Potential cause</b>	<b>Solution</b>
<b>Night light</b>		
The night light does not work.	The function is deactivated.	> Activate the night light or auto mode. [▶App] Settings – Light and sound
	Auto mode is activated. The function automatically deactivates the night light when the ambient light is bright.	Normal condition
The night light lights up continuously.	The function is activated.	> Deactivate the night light or activate auto mode. [▶App] Settings – Light and sound
	Auto mode is activated. The function automatically activates the night light when the ambient light is too low.	Normal condition
<b>Manual cleaning</b>		
The spray wand retracts automatically.	The function stops automatically after 2 minutes.	> Activate the function. [▶App] Care – Manual cleaning
<b>Automatic self-cleaning</b>		
Water is dripping out of the retracted spray wand.	The retracted spray wand is automatically cleaned before and after each washing process.	Normal condition

<b>Problem</b>	<b>Potential cause</b>	<b>Solution</b>
<b>Cover</b>		
The cover does not open automatically.	The product has not detected the approaching user.	> Approach the product again (distance approx. 1 m).
	The function is defective.	> Contact help@duravit.com.
	The function has not been activated.	> Activate the function. [▶App] Settings – Cover
The cover does not close immediately.	After the user has moved away, the cover closes automatically after 90 seconds.	Normal condition
<b>App</b>		
The app does not work.	The app and product are not connected.	> Connect the product to the app. > Ensure that the connection is successful.

## 8 Disposal

### 8.1 Packaging

Children must not play with plastic bags and packaging material, due to possible injury or danger of suffocation. Store such material safely or dispose of it in an environmentally-friendly manner. If possible, keep the packaging until the warranty period expires.

### 8.2 WEEE



■ The crossed-out wheeled bin logo requires the separate collection of waste electric and electronic equipment (WEEE). Electric and electronic equipment may contain dangerous and hazardous substances. Do not dispose of this appliance as unsorted municipal waste. Return it to a designated collection point for the recycling of WEEE. By doing so, you will help to conserve resources and protect the environment. Contact your retailer or local authorities for more information. Used batteries must be disposed of properly. For this purpose, appropriately labelled containers for disposal of batteries are provided in shops where batteries are sold and at community collection points.

## 9 Technical data

General information	
Article number	#613000 01 1 00 1300 #613200 01 1 00 1300 #613000 01 1 04 1300 #613200 01 1 04 1300
Net weight	4.5 kg (10 lbs)
Dimensions	
#613000 01 1 00 1300 #613000 01 1 04 1300	520 x 365 x 140 mm (20 1/2 x 14 3/8 x 5 1/2 ")
#613200 01 1 00 1300 #613200 01 1 04 1300	520 x 375 x 140 mm (20 1/2 x 14 3/4 x 5 1/2 ")
Rated voltage	100 – 120 V
Frequency	60 Hz
Rated power	1080 W
Standby power	< 0.5 W
Incoming water pressure	0.07 – 0.75 MPa / 0.7 – 7.5 bar (10 – 109 psi)
Protection class	IPX4 Protection against spray water on all sides

Heat output	
Instant heating system	1480 W
Seat heating	50 W
Warm air dryer	280 W

Temperature range	
Operating temperature	4 – 40 °C (39 – 104 °F)
Water temperature	33 – 41 °C (92 – 106 °F)
Seat temperature	30 – 40 °C (86 – 104 °F)
Warm air dryer temperature	35 – 55 °C (95 – 131 °F)

<b>Water consumption</b>	
Water consumption in spray mode	0.35 – 0.7 l/min (0.09 – 0.18 gal/min)

<b>BLE (Bluetooth Low Energy)</b>	
Max. power level	< 10 dBm
Operating frequency	Bluetooth 2400 – 2483,5 MHz (2,400 – 2,4835 GHz)

### **FCC Compliance statement**

This device complies with part 15 of the FCC Rules. Operation is subject to the following two conditions:

1. This device may not cause harmful interference.
2. This device must accept any interference received, including interference that may cause undesired operation.

### **! WARNING**

Changes or modification not expressly approved by the party responsible for compliance could void the user's authority to operate the equipment.

This equipment has been tested and found to comply with the limits for a Class B digital device, pursuant to Part 15 of the FCC Rules. These limits are designed to provide reasonable protection against harmful interference in a residential installation. This equipment generates, uses, and can radiate radio frequency energy and, if not installed and used in accordance with the instructions, may cause harmful interference to radio communications. However, there is no guarantee that interference will not occur in a particular installation. If this equipment does cause harmful interference to radio or television reception, which can be determined by turning the equipment off and on, the user is encouraged to try to correct the interference by one of the following measures:

- > Reorient or relocate the receiving antenna.
- > Increase the separation between the equipment and receiver.
- > Connect the equipment into an outlet on a circuit different from that to which the receiver is connected.
- > Consult the dealer or an experienced radio / TV technician for help.

### **Industry Canada (IC) Compliance Statement**

This device complies with Industry Canada's licence-exempt RSS standard(s). Operation is subject to the following two conditions:

1. This device may not cause interference.
2. This device must accept any interference, including interference that may cause undesired operation of the device.



## **Warranty**

The warranty terms and conditions can be found in the General Terms and Conditions (GTC) at <https://pro.duravit.com/gtc>.

# FR-CA

## Sommaire

1	À propos de ce document	36
2	Sécurité	37
2.1	Objet du document	37
2.2	Utilisation conforme à l'usage prévu	37
2.3	Exigences envers l'utilisateur	37
2.4	Sécurité électrique	38
2.5	Consignes de sécurité importantes pour les États-Unis	40
2.6	Hygiène	43
2.7	Indications concernant l'utilisation de piles	44
2.8	Prévention des dommages matériels	45
3	Vue d'ensemble des produits	47
3.1	Description de la structure et du fonctionnement	47
3.1.1	Siège	47
3.1.2	Voyant LED du siège	47
3.1.3	Zone de fonctionnement	48
3.1.4	Connexion de la fonction de détartrage/Interrupteur principal	48
3.2	Paramètres par défaut	49
4	Première mise en service	50
4.1	Sécurité	50
4.2	Activation du produit	50
4.3	Téléchargement de l'application	50
4.4	Connexion de l'application	50
4.5	Activation de la télécommande	51
4.5.1	Télécommande à piles	51
5	Commande	52
5.1	Télécommande/application	52
5.2	Ouverture et fermeture du couvercle	54
5.3	Définition du profil de l'utilisateur à l'aide de la télécommande	54
5.4	Efficacité de l'énergie et de l'eau	54
5.4.1	Mode économie d'énergie (chauffage de la lunette)	54

6	Nettoyage et entretien	55
6.1	Sécurité	55
6.2	Recommandations de nettoyage	56
6.2.1	Nettoyage	56
6.2.2	Produits de nettoyage recommandés	56
6.3	Autonettoyage de la douchette et de la buse de douche	57
6.4	Mode de nettoyage manuel pour la douchette et la buse de douche	57
6.5	Détartrage via la télécommande	58
7	Aide en cas de problème	59
7.1	Généralités	59
7.2	Dépannage	59
8	Élimination	64
8.1	Emballage	64
8.2	DEEE	64
9	Caractéristiques techniques	65

## **1 À propos de ce document**

Tous les documents concernant ce produit et d'autres informations sont disponibles en ligne :

- > Consulter le guide rapide dans l'application. [►Appli] Menu – Guide pour l'appareil – Guide rapide
- > Consulter les documents en ligne sur [qr.duravit.com](http://qr.duravit.com) ou [www.duravit.us](http://www.duravit.us).

## **2 Sécurité**

### **2.1 Objet du document**

La notice fait partie du produit Duravit. Si la notice n'est PAS respectée, des blessures peuvent survenir et des dommages sont possibles sur les produits et/ou le matériel.

- > Lire et respecter les instructions de la notice.
- > Conserver ce document et le transmettre aux utilisateurs suivants.

Nous nous réservons le droit d'apporter des améliorations techniques ou des modifications externes aux produits présentés.

### **2.2 Utilisation conforme à l'usage prévu**

SensoWash® est un WC douche avec dispositif de pulvérisation pour l'hygiène intime et d'autres fonctions confort. Le produit doit uniquement être utilisé à l'intérieur. Duravit DÉCLINE toute responsabilité pour toute utilisation dépassant l'usage prévu ou différente de l'usage prévu.

### **2.3 Exigences envers l'utilisateur**

Ce produit peut être utilisé par des enfants dès l'âge de 8 ans, ainsi que par des personnes limitées dans leurs capacités physiques, sensorielles ou mentales ou manquant de connaissances et/ou d'expérience sous supervision ou s'ils ont suivi une initiation à l'utilisation du produit dans le respect des règles de sécurité et comprennent alors les dangers en lien avec le produit.

- > Les enfants ne sont PAS autorisés à jouer avec le produit.
- > Le nettoyage et l'entretien ne doivent PAS être réalisés par des enfants sans surveillance.

## 2.4 Sécurité électrique

### Danger de mort par électrocution

Le contact avec l'électricité peut entraîner un choc électrique mortel.

### Mesures de précaution générales

- > Le produit doit être mis correctement à la terre. Utiliser le produit uniquement s'il est correctement mis à la terre. Tenir compte de la notice de montage.
- > Le produit n'est pas équipé de son propre disjoncteur différentiel et doit donc être installé dans un circuit électrique sur lequel un disjoncteur différentiel est installé.
- > Des dispositifs d'isolation électrique doivent être installés de manière permanente dans le câblage et doivent être conformes aux réglementations généralement applicables. De plus, ils doivent présenter une séparation de tous les pôles correspondant à la catégorie de surtension III.

### Prévention des dommages du câble électrique

Si le câble d'alimentation de ce produit est endommagé, il doit être remplacé par le fabricant ou son service après-vente ou par une personne disposant d'un niveau de compétence équivalent afin d'éviter tout danger.

- > Veiller à ce que le câble électrique ne soit PAS endommagé.
- > Le câble électrique ne doit PAS être coincé ou pincé.
- > Le câble électrique doit être maintenu à l'écart des surfaces brûlantes et des arêtes tranchantes.

### NE PAS utiliser le produit s'il est endommagé

NE PAS utiliser le produit s'il ne fonctionne pas correctement ou s'il est endommagé.

- > Éteindre le produit.
- > Couper l'alimentation électrique.

- > Fermer le robinet d'arrêt afin de couper l'arrivée d'eau.
- > Contacter [help@duravit.com](mailto:help@duravit.com).

### **NE PAS réparer vous-même le produit**

Les réparations doivent uniquement être réalisées par un professionnel spécialisé disposant des connaissances et des qualifications nécessaires.

- > NE PAS procéder à des modifications, manipulations, à l'installation d'équipement supplémentaire ou à une tentative de réparation sur le produit.
- > Utiliser uniquement des accessoires recommandés par Duravit.

### **Prévention de la condensation**

- > NE PAS installer le produit dans un local beaucoup trop humide. Prévoir une aération suffisante afin d'empêcher la formation de condensation dans les composants électriques.
- > Si le produit est déplacé d'un endroit froid vers un endroit chaud, il doit d'abord rester éteint pendant quelques heures afin d'éviter la formation éventuelle de condensation.

## 2.5 Consignes de sécurité importantes pour les États-Unis

Lors de l'utilisation de produits électriques, notamment en présence d'enfants, il convient de toujours prendre les mesures de sécurité de base, y compris les suivantes :

LIRE TOUTES LES INSTRUCTIONS AVANT L'UTILISATION

### DANGER

#### **Pour minimiser le risque d'électrocution**

- > NE PAS utiliser dans la baignoire.
- > NE PAS placer ou ranger le produit dans un endroit depuis lequel il peut tomber ou être tiré dans une baignoire ou un lavabo.
- > NE PAS poser ou faire tomber le produit dans l'eau ou dans un autre liquide.
- > NE PAS prendre le produit avec les mains lorsqu'il est tombé dans l'eau. Débrancher immédiatement la prise électrique.

### AVERTISSEMENT

#### **Pour réduire au maximum le risque de brûlures, d'électrocution, d'incendie ou de blessures**

- > Une surveillance étroite est nécessaire lorsque le produit est utilisé par, avec ou en présence d'enfants ou d'adultes dont les facultés sont amoindries.
- > Ce produit doit uniquement être utilisé aux fins décrites dans cette notice d'utilisation. NE PAS utiliser d'accessoires qui ne sont PAS recommandés par le fabricant.
- > NE PAS mettre le produit en service si le câble ou la fiche sont endommagés, s'il ne fonctionne pas correctement, s'il est tombé ou a été endommagé ou s'il est tombé dans l'eau. Apporter le produit dans un centre de service afin qu'il soit contrôlé et réparé.
- > Garder le câble à l'écart des surfaces brûlantes.
- > NE PAS bloquer les orifices d'aération du produit. NE PAS poser le produit sur une surface molle, par exemple un lit ou un canapé, car les orifices d'aération pourraient être bloqués.



- > Veiller à ce que les orifices d'aération soient exempts de peluches, de cheveux et autres.
- > NE PAS utiliser si vous êtes fatigué ou que vous êtes pris de vertiges.
- > NE PAS laisser tomber ou insérer des objets dans les orifices ou les flexibles.
- > NE PAS utiliser à l'extérieur ou dans des endroits où sont utilisés des aérosols (sprays) ou dans lesquels de l'oxygène est administré.
- > Le produit doit uniquement être branché sur une prise correctement mise à la terre (uniquement pour les modèles avec raccordement au secteur). Voir les consignes pour la mise à la terre.
- > Couper l'alimentation électrique du produit avant de le remplir. Remplir le produit (le réservoir) uniquement avec de l'eau, sauf indication contraire du fabricant. NE PAS trop remplir (ou donner des instructions pour le remplissage).

## CONSERVER CES INSTRUCTIONS

Pour tous les produits filaires mis à la terre :

### **Consignes pour la mise à la terre**

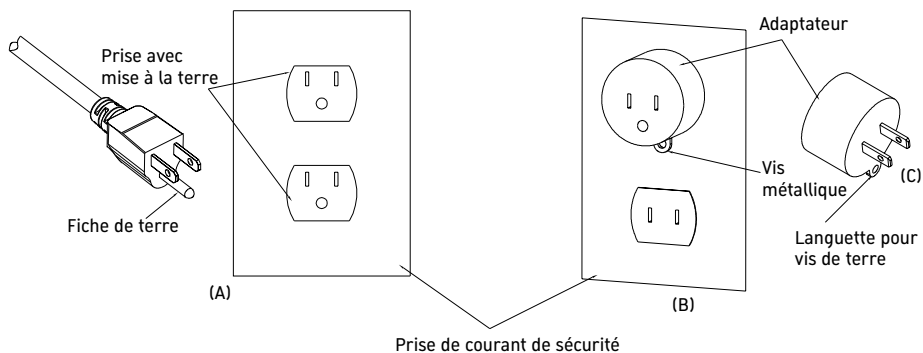
Ce produit doit être mis à la terre. La mise à la terre garantit la dérivation du courant électrique dans le cas d'un court-circuit et diminue ainsi le risque d'électrocution. Ce produit est équipé d'un câble qui possède lui-même un fil de terre et une fiche de terre. La fiche doit être insérée dans une prise correctement installée et mise à terre.

### **⚠ DANGER**

**En cas d'utilisation inappropriée de la fiche de terre, il y a un risque d'électrocution.**

- > En cas de réparation ou d'échange du câble ou de la fiche, NE PAS brancher le fil de terre sur l'un des connecteurs plats. Le fil avec l'isolation verte ou jaune-verte correspond au fil de terre.
- > Adressez-vous à un électricien ou un technicien de service qualifié si vous n'avez pas entièrement compris les consignes de mise à la terre ou si vous avez des doutes sur la mise à la terre correcte du produit.

Ce produit est prévu pour une tension nominale de 120 V et dispose d'une fiche de terre qui ressemble à la fiche présentée sur le dessin A de l'illustration. Si aucune prise correctement mise à la terre n'est disponible, il est possible d'utiliser un adaptateur temporaire (voir les dessins B et C) afin de brancher cette fiche sur une prise bipolaire, comme illustré dans le dessin B. L'adaptateur temporaire doit uniquement être utilisé tant qu'un électricien qualifié n'a pas installé de prise de terre (dessin A). L'œillet vert rigide, le tenon et d'autres saillies de l'adaptateur doivent être branchés sur une mise à la terre permanente, comme une prise correctement mise à la terre, par exemple. Si un adaptateur est utilisé, il doit être fixé à l'aide d'une vis.



Pour les produits qui sont transformés en produit à raccordement fixe :

### Consignes pour la mise à la terre

Ce produit doit être raccordé à un système de câbles métalliques, fixes et mis à la terre. Il est également possible de poser un conducteur de terre pour l'appareil en même temps que les conducteurs de circuit électrique et de le raccorder à la borne de terre ou à la conduite de terre sur le produit.

## 2.6 Hygiène

### Risques pour la santé dus à de l'eau polluée, contaminée ou stagnante

L'utilisation d'une eau polluée, contaminée ou stagnante pour les fonctions de douche présente des risques pour la santé.

- > Alimenter le produit avec de l'eau potable froide provenant de la conduite d'eau principale.
- > NE PAS raccorder aux eaux usées, aux eaux grises, à de l'eau à usage industriel, à l'eau de mer ou de l'eau non ou faiblement traitée.
- > Utiliser uniquement les flexibles d'alimentation en eau fournis, NE PAS réutiliser les anciens flexibles.
- > Si le produit n'a PAS été utilisé pendant deux semaines ou plus, activer l'autonettoyage supplémentaire.

## **2.7 Indications concernant l'utilisation de piles**

Les piles se trouvent dans la télécommande.

### **Danger de mort en cas d'ingestion/risque de brûlure chimique**

Ce produit contient des piles bouton. NE PAS ingérer la pile! Ingérer la pile peut entraîner de graves brûlures internes en tout juste deux heures et causer la mort.

- > NE PAS ingérer la pile, risque de brûlure chimique.
- > Tenir les piles neuves et les piles usagées hors de portée des enfants. Si le compartiment des piles ne se ferme PAS correctement, NE PAS utiliser le produit et le garder hors de portée des enfants.
- > En cas de suspicion qu'une personne a ingéré une pile ou a introduit une pile dans une partie du corps, consulter immédiatement un médecin.

### **Dommages pour la santé en raison d'une fuite d'acide**

- > En cas de fuite d'acide, éviter tout contact avec la peau, les yeux et les muqueuses.
- > En cas de contact avec l'acide, rincer abondamment les zones concernées à l'eau claire et consulter immédiatement un médecin.
- > NE PAS exposer les piles à des conditions extrêmes : NE PAS les poser sur des surfaces brûlantes et NE PAS les exposer aux rayons directs du soleil. Le risque de fuite est très élevé dans un tel cas.
- > Les piles doivent être éliminées correctement et gardées hors de portée des enfants. Même les piles usagées peuvent causer des blessures.

## **2.8 Prévention des dommages matériels**

### **Indications concernant l'utilisation de piles**

- > Les piles ne doivent PAS être chargées, réactivées par d'autres moyens, démontées ou exposées à une chaleur très élevée (par exemple du feu).
- > Les bornes ne doivent PAS être court-circuitées.
- > Toujours retirer immédiatement les piles usagées de la télécommande. Celles-ci peuvent couler et ainsi causer des dommages.
- > NE PAS insérer de piles neuves avec des piles anciennes dans la télécommande.
- > NE PAS combiner différents types de piles.
- > Nettoyer la pile et les contacts avant de l'insérer.
- > Il faut insérer les piles conformément aux repères en tenant compte de la bonne polarité.
- > Retirer les piles si la télécommande n'est PAS utilisée pendant une durée prolongée.

### **Endommagement du produit ou dysfonctionnements en raison d'une utilisation non conforme**

- > NE PAS monter sur le produit ou se mettre debout dessus.
- > NE PAS salir, éclabousser ou boucher intentionnellement la douchette.

### **Prévention des dommages sur la lunette et le couvercle**

- > NE PAS s'asseoir, se mettre debout ou s'appuyer sur le couvercle.
- > NE PAS retirer la lunette et le couvercle.
- > NE PAS endommager la surface de la lunette. Si la surface de la lunette est endommagée, contacter [help@duravit.com](mailto:help@duravit.com).
- > Ouvrir et fermer le couvercle au moyen de la télécommande ou de l'application.

- > Ne PAS interrompre manuellement l'ouverture ou la fermeture automatiques du couvercle.
- > NE PAS poser d'objets lourds sur le couvercle.

### **Dommages dus à l'eau gelée**

- > Ne PAS monter ni utiliser le produit dans des locaux exposés au gel. La température ambiante ne doit pas être inférieure à 4 °C (39 °F).

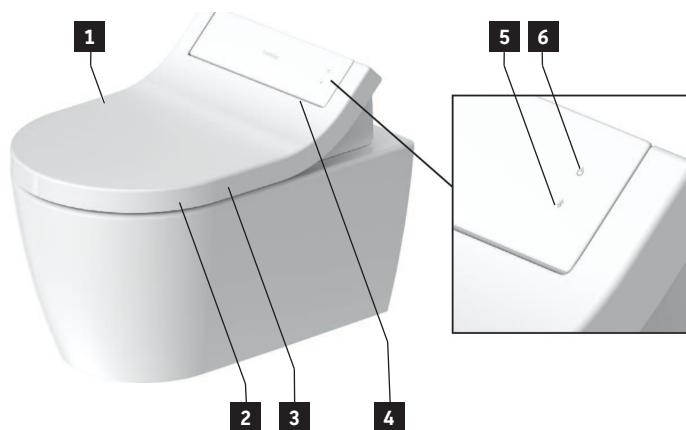
### **Dommages dus à des causes extérieures**

- > NE PAS placer ou poser de sources de flammes nues, comme des bougies, des cigarettes, etc. sur le produit.
- > NE PAS exposer le produit directement à de l'eau ou aux rayons directs du soleil.

### 3 Vue d'ensemble des produits

#### 3.1 Description de la structure et du fonctionnement

##### 3.1.1 Siège



**1** Capteur (ouverture du couvercle sans contact)

**2** Capteur de la lunette

**3** Chauffage de la lunette

**4** Veilleuse de nuit

**5** Bouton Bluetooth / Voyant Bluetooth (LED)

**6** Bouton marche / Voyant d'état (LED)

##### 3.1.2 Voyant LED du siège

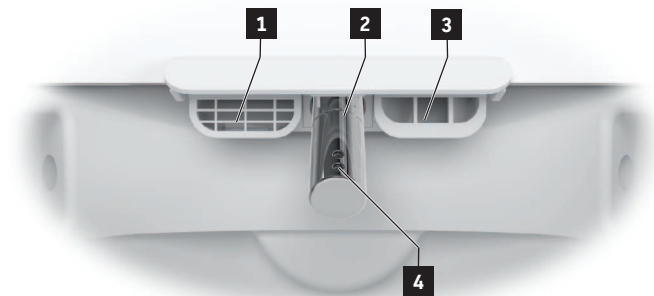
#### Bouton marche

LED	Fonction
Rouge	Mode veille
Vert	Activé
Orange	Mode économie d'énergie
Clignotant	Dysfonctionnement > Éteindre le produit. > Couper l'alimentation électrique. > Fermer le robinet d'arrêt afin de couper l'arrivée d'eau. > Contacter <a href="mailto:help@duravit.com">help@duravit.com</a> .

## Bouton Bluetooth

LED	Fonction
Bleu	La fonction Bluetooth est disponible ou connectée.
Éteint	La fonction Bluetooth n'est pas disponible.
Clignotant	L'appareil est en mode de couplage.

### 3.1.3 Zone de fonctionnement



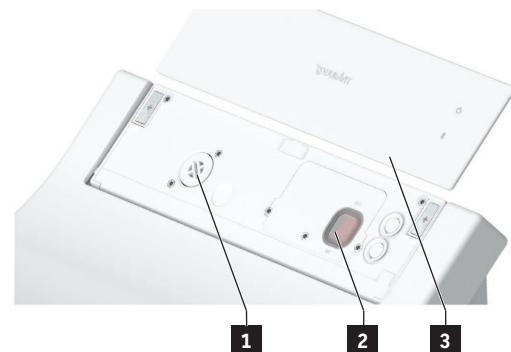
**1** Trop-plein interne

**2** Douchette

**3** Séchoir à air chaud

**4** Buse de douche

### 3.1.4 Connexion de la fonction de détartrage/Interrupteur principal



**1** Connexion de la fonction de détartrage

**2** Interrupteur principal (alimentation électrique principale)

**3** Couvercle magnétique



## 3.2 Paramètres par défaut

Fonction	Plage de réglage	Paramètre par défaut
Ouverture/fermeture du couvercle sans contact	Marche/arrêt	Arrêt
Douche oscillatoire	Marche/arrêt	Marche
Température du séchoir à air chaud	Arrêt/basse/moyenne/ haute	Moyenne
Position de la douchette	1, 2, 3, 4, 5	3
Puissance du jet d'eau	Basse/moyenne/élevée	Moyenne
Température de l'eau	Arrêt/basse/moyenne/ haute	Moyenne
Chauffage de la lunette	Marche/arrêt	Marche
Mode économie d'énergie	Marche/arrêt	Arrêt
Veilleuse de nuit	Arrêt/auto/marche	Auto
Tonalité de confirmation	Marche/arrêt	Marche

## 4 Première mise en service

### 4.1 Sécurité

#### MISE EN GARDE

##### **Risques pour la santé dus à de l'eau polluée, contaminée ou stagnante**

L'utilisation d'une eau polluée, contaminée ou stagnante pour les fonctions de douche présente des risques pour la santé.

- > Si le produit n'a PAS été utilisé pendant deux semaines ou plus, activer l'autonettoyage supplémentaire.

### 4.2 Activation du produit

Le produit doit être complètement installé et être branché sur l'alimentation électrique principale et l'arrivée d'eau conformément à la notice de montage.

- > S'assurer que le robinet d'arrêt est ouvert.
- > Mettre le produit en marche à l'aide du bouton marche / voyant d'état (LED).

### 4.3 Téléchargement de l'application



- > Rechercher « SensoWash 2.0 » dans le Play Store (Android) ou « SensoWash » dans l'App Store (iOS).
- > Télécharger l'application.
- > Le cas échéant, autoriser l'accès aux services de localisation (GPS).

### 4.4 Connexion de l'application

Le produit se connecte à l'application via Bluetooth. Le produit et la fonction Bluetooth doivent être activés afin qu'une connexion puisse être établie.

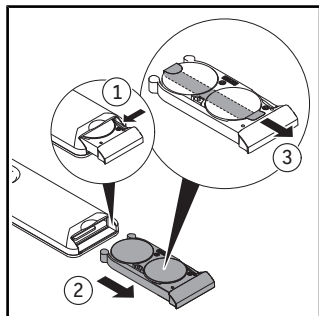
- > Activer le produit à l'aide du bouton marche/voyant d'état (LED) situé sur le siège. Le bouton commence à clignoter.

- > Activer la fonction Bluetooth via le bouton Bluetooth/voyant Bluetooth (LED) du siège.
- > Activer l'application sur le périphérique mobile.
- > Suivre pas à pas les instructions dans l'application.

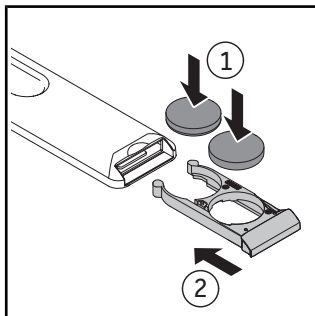
L'application envoie une confirmation lorsque la connexion est établie.

## 4.5 Activation de la télécommande

### 4.5.1 Télécommande à piles



- > Sortir le compartiment à piles.
- > Pousser le levier afin d'ouvrir complètement le compartiment à piles.
- > Retirer le film de protection.



- > Insérer les piles (CR2450).
- > Fermer le compartiment à piles.

## 5 Commande

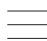


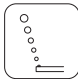

### 5.1 Télécommande/application






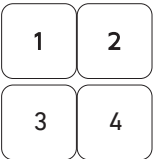


Le produit peut être piloté à l'aide d'une télécommande (fonctions de base) et/ou via l'application (fonctions avancées). Certains réglages peuvent uniquement être effectués via l'application. Les fonctions sont configurées conformément aux paramètres par défaut.

> Télécharger l'application afin de pouvoir configurer l'ensemble des paramètres disponibles pour ce produit.



\*Les fonctions présentées sur les figures sont fournies à titre d'illustration. Les fonctions effectivement disponibles peuvent varier en fonction du modèle.

Symbole	Nom
	Menu
	Ajouter ou supprimer le produit.
	Activation de la <b>douche rectale</b> . Si la fonction n'est pas désactivée, elle s'arrête automatiquement au bout de 2 minutes.
	Activation de la <b>douche féminine</b> . Si la fonction n'est pas désactivée, elle s'arrête automatiquement au bout de 2 minutes.
	Active (bref signal sonore) / désactive (long signal sonore) le <b>chauffage de la lunette</b> .

Symbole	Nom
	<p>Activation du <b>séchoir à air chaud</b>.            La fonction dispose des niveaux arrêt/bas/moyen/haut.            Si la fonction n'est pas désactivée, elle s'arrête automatiquement au bout de 5 minutes.            [▶Appli] Accueil - Séchoir à air chaud - Température</p>
	<p>Réglage de la <b>température de l'eau</b>.            La fonction dispose des niveaux arrêt/bas/moyen/haut.            Les réglages s'affichent sur la télécommande (LED) et dans l'application.            [▶Appli] Accueil – Douche rectale/douche féminine</p>
	<p>Réglage de la <b>puissance du jet d'eau</b>.            La fonction dispose des niveaux bas/moyen/haut.            Les réglages s'affichent sur la télécommande (LED) et dans l'application.            [▶Appli] Accueil – Douche rectale/douche féminine</p>
	<p>Réglage de la <b>position de la douchette</b>.            La fonction dispose des niveaux 1, 2, 3, 4 et 5.            Les réglages s'affichent sur la télécommande (LED) et dans l'application.            [▶Appli] Accueil – Douche rectale/douche féminine</p>
	<p>Activation de l'<b>aspiration d'odeurs</b>.            Si la fonction n'est pas désactivée, elle s'arrête automatiquement au bout d'une minute.</p>
	<p>Activation du <b>profil de l'utilisateur</b> (uniquement télécommande).</p>
	<p>Ouverture/fermeture du <b>couvercle</b>.</p>
	<p><b>Arrêt</b> de la fonction en cours.</p>

**CONSEIL** Le siège est équipé d'un capteur. Les fonctions douche et séchoir peuvent uniquement être activées si un utilisateur est assis sur la cuvette.

## 5.2 Ouverture et fermeture du couvercle

### INFO UTILE

#### Dommages au niveau du siège

L'interruption de la fonction en cours pour l'ouverture et la fermeture mécaniques du couvercle peut entraîner des dommages sur le produit.

- > NE PAS interrompre manuellement l'ouverture et la fermeture mécaniques du couvercle.

Il est possible d'ouvrir et de fermer le couvercle au moyen de la télécommande ou de l'application. Le produit dispose en plus d'un capteur de proximité. Le couvercle s'ouvre et se ferme sans contact dès qu'un utilisateur s'approche ou s'éloigne.

## 5.3 Définition du profil de l'utilisateur à l'aide de la télécommande

Il est possible d'enregistrer les préférences personnelles dans différents profils d'utilisateurs.

- > Activer la douche rectale/douche féminine.
- > Régler la position de la douchette, la puissance du jet d'eau et la température de l'eau pendant que la fonction est en cours.

Les LED de la télécommande indiquent le réglage respectif.

- > Appuyer pendant 3 secondes sur le profil utilisateur 1/2/3/4, afin d'enregistrer le profil.

**CONSEIL** Le siège est équipé d'un capteur. Les fonctions douche et séchoir peuvent uniquement être activées si un utilisateur est assis sur la cuvette.

## 5.4 Efficacité de l'énergie et de l'eau

Pour minimiser la consommation de ressources naturelles, le produit est équipé d'une résistance de chauffage et d'une fonction d'arrêt automatique pour toutes les fonctions de douche et de séchage. Pour économiser de l'énergie au quotidien, il est possible d'ajuster les paramètres suivants :

### 5.4.1 Mode économie d'énergie (chauffage de la lunette)

Désactive le chauffage de la lunette pendant une durée définie, par exemple pendant la journée, pendant le travail. Lorsque la fonction est activée, le chauffage de la lunette est désactivé pendant 8 heures, puis réactivé automatiquement pendant 16 heures. Ce processus se répète tous les jours à la même heure jusqu'à ce que la fonction soit désactivée.

- > Activer le mode d'économie d'énergie via l'application. [▶Appli] Menu – Réglages – Lunette

## 6 Nettoyage et entretien

### 6.1 Sécurité



#### **AVERTISSEMENT**

##### **Danger de mort par électrocution**

Les composants électriques du produit se trouvent dans le siège.

- > Débrancher le produit de l'alimentation électrique principale avant le nettoyage.
- > NE PAS verser d'eau sur le siège.
- > NE PAS laisser l'eau pénétrer dans le siège.

\*Variante pro uniquement

#### **INFO UTILE**

##### **Endommagement du produit en raison d'un nettoyage et d'un entretien inadaptés**

Des produits, accessoires et appareils de nettoyage inadaptés peuvent endommager et décolorer définitivement la surface.

- > Utiliser uniquement les produits et accessoires de nettoyage recommandés par Duravit.
- > Respecter les consignes d'utilisation du fabricant du produit de nettoyage.
- > Utiliser uniquement des appareils de nettoyage prévus pour le domaine d'utilisation (PAS DE nettoyeurs haute pression ou de nettoyeurs à vapeur).

#### **INFO UTILE**

##### **Endommagement du produit dû au brouillard de pulvérisation**

Les pulvérisations peuvent s'infiltrer dans les plus petites ouvertures et fentes et endommager la surface.

- > Pulvériser le spray de nettoyage sur le chiffon et pas directement sur le produit.

#### **INFO UTILE**

##### **Endommagement du produit en raison de longs intervalles de nettoyage**

Des intervalles de nettoyage trop longs peuvent entraîner la formation de salissures tenaces.

- > Nettoyer la surface régulièrement et immédiatement dès que celle-ci est sale.

## 6.2 Recommandations de nettoyage

### 6.2.1 Nettoyage

- > Nettoyer la surface à l'aide d'un chiffon humide.
- > Éliminer les salissures plus tenaces à l'aide du produit de nettoyage recommandé.  
Pour cela, appliquer toujours le produit de nettoyage sur le chiffon.
- > Utiliser une balayette de WC pour le nettoyage de la cuvette/l'urinoir.
- > Rincer à l'eau claire afin d'enlever tous les résidus du produit de nettoyage.
- > Sécher la surface.

### 6.2.2 Produits de nettoyage recommandés

Composants	Produit de nettoyage	Accessoires de nettoyage
Lunette et couvercle	Produit de nettoyage neutre (pH 6 – 8) (détergent neutre, par exemple)	Chiffon de nettoyage en coton
Couvercle	Produit de nettoyage neutre (pH 6 – 8) (détergent neutre, par exemple)	Chiffon de nettoyage en coton
Douchette/buse de douche	Produit de nettoyage neutre (pH 6 – 8) (détergent neutre, par exemple)	– Chiffon de nettoyage en fibres synthétiques – Éponge abrasive
Céramique Nettoyage quotidien	Produit de nettoyage neutre (pH 6 – 8) (détergent neutre, par exemple)	– Chiffon de nettoyage en fibres synthétiques – Balayette de WC
Céramique Calcaire	Produit de nettoyage acide (pH < 6) (détergent au citron, par exemple)	– Chiffon de nettoyage en fibres synthétiques – Balayette de WC
Télécommande	Eau	Chiffon de nettoyage en coton



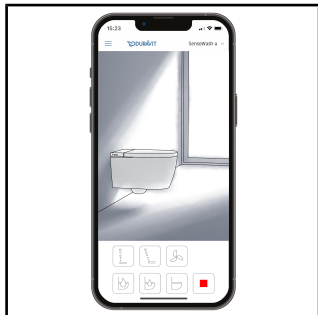
### 6.3 Autonettoyage de la douchette et de la buse de douche

La douchette rentrée est automatiquement nettoyée avant et après chaque lavage.

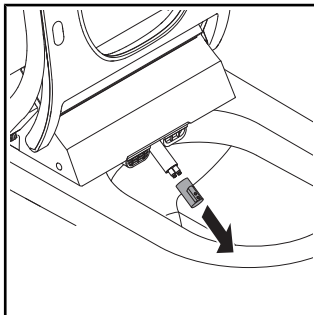
- > Si le produit n'a PAS été utilisé pendant deux semaines ou plus, activer l'autonettoyage supplémentaire via l'application. [▶Appli] Menu – Entretien – Autonettoyage

### 6.4 Mode de nettoyage manuel pour la douchette et la buse de douche

Le nettoyage manuel est possible uniquement si le capteur de la lunette n'est pas activé.



- > Activer le mode de nettoyage manuel via l'application. [▶Appli] Menu – Entretien– Nettoyage manuel



- > Retirer la buse de douche pour le nettoyage.

**CONSEIL** La fonction peut uniquement être activée si personne n'est assis sur la cuvette/si le capteur de la lunette n'est pas activé.

## 6.5 D tartrage via la t l commande

### INFO UTILE

#### Fonctionnement limit  ou endommagement du produit d    l'entartrage

Dans les r gions o  l'eau est dure, du calcaire peut se d poser. Le calcaire peut diminuer la performance du produit.

- > V rifier la qualit  de l'eau de la r gion. En cas de duret  de l'eau  $\geq 14$   dH (2,5 mmol/l), Duravit recommande l'installation d'un adoucisseur d'eau.
- > D tartrer r guli rement le produit. L'application envoie un rappel automatique.
- > Configurer les param tres de d tartrage en fonction de la duret  de l'eau dans la r gion.

[>Appli] Menu – Entretien – D tartrage

- > Utiliser uniquement des d tartrants d'origine de Duravit ou autoris s par Duravit.

Duret� de l'eau	Cycle de d�tartrage
Douce : < 8,4 �dH (1,5 mmol/l)	Tous les six mois
Moyenne : 8,4 – 14 �dH (1,5 – 2,5 mmol/l)	Tous les six mois
Dure : > 14 �dH (2,5 mmol/l)	Tous les trois mois

Le proc d  de d tartrage peut  tre activ  via l'application.

- > Suivre les instructions dans l'application.

Le proc d  de d tartrage peut  tre activ  via la t l commande.

## 7 Aide en cas de problème

### 7.1 Généralités

Procédure en cas de dysfonctionnement :

- > Éteindre le produit et le remettre en marche.
- > Suivre les instructions ci-après.
- > Si le produit ne fonctionne toujours pas correctement, contacter [help@duravit.com](mailto:help@duravit.com).
- > Garder la référence de l'article à disposition. Cette référence se trouve dans les caractéristiques techniques, à la fin de la notice d'utilisation, sur l'étiquette de l'emballage, sur l'étiquette du produit, dans la notice de montage et dans l'application.  
[▶Appli] Menu – Guide pour l'appareil – Gestion des appareils – Informations relatives à l'appareil

### 7.2 Dépannage

Problème	Cause possible	Solution
<b>Voyant LED (siège)</b>		
Le voyant LED clignote (rouge, vert, orange) ou un signal sonore retentit.	Dysfonctionnement	<ul style="list-style-type: none"><li>&gt; Éteindre le produit.</li><li>&gt; Couper l'alimentation électrique.</li><li>&gt; Fermer le robinet d'arrêt afin de couper l'arrivée d'eau.</li><li>&gt; Contacter <a href="mailto:help@duravit.com">help@duravit.com</a>.</li></ul>
<b>Problèmes généraux</b>		
Le produit ne fonctionne pas.	Le produit est éteint (bouton marche/voyant d'état éteint).	> Mettre le produit en marche.
	Le produit est en mode veille (bouton marche/voyant d'état allumé en rouge).	> Activer le produit.

<b>Problème</b>	<b>Cause possible</b>	<b>Solution</b>
De l'eau s'écoule.	Fuite	<ul style="list-style-type: none"> <li>&gt; Éteindre le produit.</li> <li>&gt; Couper l'alimentation électrique.</li> <li>&gt; Fermer le robinet d'arrêt afin de couper l'arrivée d'eau.</li> <li>&gt; Contacter <a href="mailto:help@duravit.com">help@duravit.com</a>.</li> </ul>
<b>Télécommande</b>		
La télécommande ne réagit pas.	Les piles sont presque à plat (le voyant LED clignote en blanc).	> Remplacer les piles.
	La télécommande n'est pas connectée au produit (le voyant LED clignote en rouge).	> Contacter <a href="mailto:help@duravit.com">help@duravit.com</a> .
	Il n'y a pas de piles.	> Insérer les piles.
	La télécommande est défectueuse.	> Contacter <a href="mailto:help@duravit.com">help@duravit.com</a> .
<b>Fonctions de douche</b>		
Le passage de la douche rectale à la douche féminine dure longtemps.	La douchette est rentrée entre chaque fonction. Le passage dure environ 12 secondes.	État normal
La puissance du jet d'eau est trop faible.	La puissance du jet d'eau est réglée sur « basse ».	<ul style="list-style-type: none"> <li>&gt; Augmenter la puissance du jet d'eau.</li> <li>[▶Appli] Accueil – Douche rectale/douche féminine</li> </ul>
	La conduite d'eau est pliée ou coincée.	> Contacter <a href="mailto:help@duravit.com">help@duravit.com</a> .
La puissance du jet d'eau est instable.	Le filtre d'eau est bouché.	> Contacter <a href="mailto:help@duravit.com">help@duravit.com</a> .

<b>Problème</b>	<b>Cause possible</b>	<b>Solution</b>
La température de l'eau est trop élevée/basse.	La température est mal réglée.	> Régler la température. [▶Appli] Accueil – Douche rectale/douche féminine
La douche rectale/douche féminine s'arrête automatiquement.	La fonction s'arrête automatiquement au bout de deux minutes.	État normal
	Le capteur de la lunette a perdu le contact.	> S'asseoir à nouveau. > Activer la fonction.
La douche rectale/douche féminine ne fonctionne pas.	La buse de douche est bouchée.	> Nettoyer la buse de douche. [▶Appli] Accueil – Douche rectale/douche féminine
	Le capteur de la lunette a perdu le contact.	> S'asseoir à nouveau. > Activer la fonction.
<b>Chauffage de la lunette</b>		
Le chauffage de la lunette ne fonctionne pas.	La fonction est désactivée.	> Activer la fonction. [▶Appli] Réglages – Lunette
La température de la lunette est trop élevée/basse.	La température est mal réglée.	> Régler la température. [▶Appli] Réglages – Lunette
La température de la lunette est trop basse.	Le produit est en mode économie d'énergie (le voyant LED est allumé en orange).	> Désactiver le mode économie d'énergie. [▶Appli] Réglages – Lunette
	Le produit active automatiquement le mode économie d'énergie lorsque toutes les fonctions sont inactives pendant plus de 48 heures.	> Choisir n'importe quelle fonction afin de réactiver le produit.

<b>Problème</b>	<b>Cause possible</b>	<b>Solution</b>
<b>Séchoir à air chaud</b>		
La température du séchoir à air chaud est trop élevée/basse.	La température est mal réglée.	> Régler la température. [►Appli] Accueil - Séchoir à air chaud
Le séchoir à air chaud s'arrête automatiquement.	La fonction s'arrête automatiquement au bout de 5 minutes.	État normal
	Le capteur de la lunette a perdu le contact.	> S'asseoir à nouveau. > Activer la fonction.
<b>Veilleuse de nuit</b>		
La veilleuse de nuit ne fonctionne pas.	La fonction est désactivée.	> Activer la veilleuse de nuit ou le mode automatique. [►Appli] Réglages – Son et lumière
	Le mode automatique est activé. La fonction désactive automatiquement la veilleuse de nuit lorsque la lumière ambiante est claire.	État normal
La veilleuse de nuit fonctionne en permanence.	La fonction est activée.	> Désactiver la veilleuse de nuit ou activer le mode automatique. [►Appli] Réglages – Son et lumière
	Le mode automatique est activé. La fonction active automatiquement la veilleuse de nuit lorsque la lumière ambiante est trop sombre.	État normal

<b>Problème</b>	<b>Cause possible</b>	<b>Solution</b>
<b>Nettoyage manuel</b>		
La douchette rentre automatiquement.	La fonction s'arrête automatiquement au bout de deux minutes.	> Activer la fonction. [►Appli] Entretien – Nettoyage manuel
<b>Autonettoyage automatique</b>		
De l'eau coule de la douchette rentrée.	La douchette rentrée est automatiquement nettoyée avant et après chaque lavage.	État normal
<b>Couvercle</b>		
Le couvercle ne s'ouvre pas automatiquement.	Le produit n'a pas détecté l'utilisateur qui s'est approché.	> S'approcher à nouveau du produit (distance environ 1 mètre).
	La fonction est défectueuse.	> Contacter help@duravit.com.
	La fonction n'est pas activée.	> Activer la fonction. [►Appli] Réglages – Couvercle
Le couvercle ne se referme pas directement.	Lorsque l'utilisateur s'est éloigné, le couvercle se referme automatiquement au bout de 90 secondes.	État normal
<b>Appli</b>		
L'application ne fonctionne pas.	L'application et le produit ne sont pas connectés.	> Connecter le produit à l'application. > S'assurer que la connexion a réussi.

## 8 Élimination

### 8.1 Emballage

Les enfants ne sont pas autorisés à jouer avec les sachets en plastique ou le matériel d'emballage en raison du risque de blessure, voire d'étouffement. Conserver de tels matériaux dans un endroit sûr ou les éliminer dans le respect de l'environnement. Dans la mesure du possible, conserver l'emballage jusqu'à la fin de la période de garantie.

### 8.2 DEEE



Le symbole représentant une poubelle barrée indique une élimination séparée des appareils électriques et électroniques usagés (DEEE). Les appareils électriques et électroniques usagés peuvent contenir des substances dangereuses. Ne pas jeter cet appareil avec les ordures ménagères. Il doit être apporté dans un point de collecte spécial pour le recyclage d'appareils électriques et électroniques (DEEE). De cette façon, vous contribuez à la préservation des ressources et à la protection de l'environnement. Vous obtiendrez de plus amples informations auprès de votre fournisseur ou des autorités compétentes. Les piles usagées doivent être éliminées correctement. Pour cela, des conteneurs identifiés à cet effet sont à votre disposition dans les magasins vendant des piles et dans les points de collecte municipaux.



## 9 Caractéristiques techniques

<b>Généralités</b>	
Référence d'article	#613000 01 1 00 1300 #613200 01 1 00 1300 #613000 01 1 04 1300 #613200 01 1 04 1300
Poids net	4,5 kg (10 lbs)
Dimensions	
#613000 01 1 00 1300 #613000 01 1 04 1300	520 x 365 x 140 mm (20 1/2 x 14 3/8 x 5 1/2")
#613200 01 1 00 1300 #613200 01 1 04 1300	520 x 375 x 140 mm (20 1/2 x 14 3/4 x 5 1/2")
Tension nominale	100 – 120 V
Fréquence	60 Hz
Puissance nominale	1080 W
Mode veille	< 0,5 W
Pression de l'eau d'entrée	0,07 – 0,75 MPa / 0,7 – 7,5 bar (10 – 109 psi)
Degré de protection	IPX4 Protection contre les projections d'eau de tous les côtés

<b>Puissance de chauffage</b>	
Résistance de chauffage	1480 W
Chauffage de la lunette	50 W
Séchoir à air chaud	280 W

<b>Plage de température</b>	
Température de fonctionnement	4 – 40 °C (39 – 104 °F)
Température de l'eau	33 – 41 °C (92 – 106 °F)
Température de la lunette	30 – 40 °C (86 – 104 °F)

<b>Plage de température</b>	
Température du séchoir à air chaud	35 – 55 °C (95 – 131 °F)
<b>Consommation d'eau</b>	
Mode douche	0,35 – 0,7 l/min (0,09 – 0,18 gal/min)
<b>BLE (Bluetooth Low Energy)</b>	
Niveau de puissance max.	< 10 dBm
Fréquence de fonctionnement	Bluetooth 2400 – 2483,5 MHz (2,400 – 2,4835 GHz)

### **Déclaration de conformité FCC**

Cet appareil est conforme à la partie 15 de la réglementation de la FCC. Le fonctionnement dépend des deux conditions suivantes :

1. Cet appareil ne doit pas causer d'interférences nuisibles.
2. Cet appareil doit tolérer toutes les interférences, y compris celles pouvant occasionner un fonctionnement indésirable.



### **AVERTISSEMENT**

En cas de changements ou de modifications qui n'ont pas été expressément approuvées par la partie responsable de la conformité, l'utilisateur perd éventuellement le droit d'utiliser l'appareil.

Cet appareil a été testé et est conforme aux exigences relatives à un appareil numérique de la classe B selon la partie 15 de la réglementation de la FCC. Ces valeurs limites offrent une protection appropriée contre les interférences nuisibles quand l'appareil est utilisé dans des zones résidentielles. Cet appareil produit, utilise et éventuellement émet une énergie haute fréquence. Si l'appareil n'est pas installé et utilisé correctement, il peut provoquer des perturbations au niveau des communications radio. Toutefois, aucune garantie n'est donnée quant à l'absence d'interférences nuisibles dans une installation particulière. L'arrêt et la remise en marche de l'appareil permettent de déterminer s'il perturbe la réception de la radio ou de la télévision. Dans un tel cas, l'utilisateur est encouragé à essayer d'éliminer les interférences à l'aide d'une ou de plusieurs des mesures suivantes :

- > Réorienter l'antenne de réception ou modifier son emplacement.
- > Augmenter la distance entre l'appareil et le récepteur.
- > Raccorder l'appareil à un autre circuit électrique que le récepteur.
- > Demander de l'aide au fournisseur ou à un technicien radio/télévision expérimenté.

### **Déclaration de conformité d'Industrie Canada (IC)**

Cet appareil est conforme aux standards RSS exemptés de licence d'Industrie Canada. Le fonctionnement dépend des deux conditions suivantes :

1. Cet appareil ne doit pas causer d'interférences.
2. Cet appareil doit tolérer toutes les interférences, y compris celles pouvant occasionner un fonctionnement indésirable.

### **Garantie**

Vous pouvez consulter les dispositions de garantie dans les conditions générales de vente (CGV) sur <https://pro.duravit.com/gtc>.

## Índice

1	Sobre este documento	70
2	Seguridad	71
2.1	Objetivo del documento	71
2.2	Uso previsto	71
2.3	Exigencias para el usuario	71
2.4	Seguridad eléctrica	72
2.5	Importantes normas de seguridad para EE. UU.	74
2.6	Higiene	77
2.7	Indicaciones para el uso de pilas	78
2.8	Evitar daños en el producto	79
3	Vista general del producto	81
3.1	Estructura y descripción del funcionamiento	81
3.1.1	Unidad de asiento	81
3.1.2	Indicador LED unidad de asiento	81
3.1.3	Área de función	82
3.1.4	Conexión función de descalcificación/interruptor principal	82
3.2	Ajustes de fábrica	83
4	Primera puesta en marcha	84
4.1	Seguridad	84
4.2	Activar el producto	84
4.3	Descargar la App	84
4.4	Acoplar la App	84
4.5	Activar el mando a distancia	85
4.5.1	Mando a distancia con pilas	85
5	Manejo	86
5.1	Mando a distancia/App	86
5.2	Abrir y cerrar la tapa	88
5.3	Establecer el perfil de usuario con el mando a distancia	88
5.4	Eficiencia energética y del agua	88
5.4.1	Modo de ahorro energético (calefacción del asiento)	88

6	Limpieza y mantenimiento	89
6.1	Seguridad	89
6.2	Recomendaciones de limpieza	90
6.2.1	Limpieza	90
6.2.2	Detergentes recomendados	90
6.3	Autolimpieza del caño de lavado y del cabezal del caño	90
6.4	Modo de limpieza manual para el caño de lavado y el cabezal del caño	90
6.5	Descalcificación mediante mando a distancia	91
7	Solución de problemas	92
7.1	Aspectos generales	92
7.2	Solución de fallos	92
8	Eliminación	97
8.1	Embalaje	97
8.2	RAEE	97
9	Datos técnicos	98

## **1 Sobre este documento**

Todos los documentos sobre este producto e información adicional están disponibles online:

- > Acceder con la App a las instrucciones abreviadas. [▶App] Menú – Guía del dispositivo – Instrucciones abreviadas
- > Acceder a los documentos online a través de [qr.duravit.com](http://qr.duravit.com) o [www.duravit.us](http://www.duravit.us).

## **2 Seguridad**

### **2.1 Objetivo del documento**

Las instrucciones forman parte del producto Duravit. Si NO se observan las instrucciones, se pueden producir daños personales, daños en el producto o materiales.

> Leer y seguir las instrucciones.

> Conservar este documento y entregarlo a usuarios posteriores.

Se reserva el derecho a efectuar mejoras técnicas y modificaciones de aspecto en los productos representados.

### **2.2 Uso previsto**

SensoWash® es un asiento de lavado con chorro de agua para el lavado general, la higiene íntima y otras cómodas funciones. El producto se debe utilizar exclusivamente en interiores. Por un uso diferente al previsto, Duravit NO asume NINGUNA responsabilidad.

### **2.3 Exigencias para el usuario**

Este producto puede ser utilizado por niños a partir de 8 años y por personas con capacidades físicas, sensoriales o mentales limitadas, o que carezcan de la experiencia o del conocimiento para utilizarlo, si están vigilados o han sido informados acerca de un manejo seguro del producto y han comprendido los peligros que supone.

> Los niños NO deben jugar con el producto.

> Los niños sin supervisión NO deben llevar a cabo los trabajos de limpieza ni de mantenimiento.

## **2.4 Seguridad eléctrica**

### **Peligro de muerte por descarga eléctrica**

El contacto con la electricidad puede provocar descargas eléctricas mortales.

### **Medidas de precaución generales**

- > El producto debe estar conectado a tierra correctamente. Utilizar el producto solamente si está correctamente conectado a tierra. Tener en cuenta las instrucciones de montaje.
- > El producto no tiene ningún interruptor diferencial propio. Debe instalarse en un circuito de corriente en el que haya instalado un interruptor diferencial.
- > Los aparatos para la desconexión eléctrica deben instalarse fijos en el cableado y deben cumplir todas las normativas generales vigentes. Además, tienen que tener una separación de contactos en todos los polos que corresponda a la categoría de sobretensión III.

### **Evitar daños en el cable de red**

Si se ha dañado el cable de conexión eléctrico de este producto, este tendrá que ser cambiado por el fabricante o el servicio de asistencia técnica del mismo o por una persona cualificada similar, para evitar cualquier peligro.

- > Prestar atención a que el cable de red NO esté dañado.
- > El cable de red NO deberá estar atrapado ni aplastado.
- > Mantener el cable de red apartado de superficies calientes o de cantos afilados.

### **NO utilizar el producto dañado**

NO utilizar el producto si no funciona correctamente o si está dañado.

- > Apagar el producto.
- > Desconectar la alimentación eléctrica.



> Cerrar la válvula de cierre para interrumpir el suministro de agua.

> Ponerse en contacto con [help@duravit.com](mailto:help@duravit.com).

### **NO reparar el producto por cuenta propia**

Las reparaciones debe llevarlas a cabo solamente el personal técnico correspondiente que cuente con los conocimientos y las cualificaciones necesarias.

> NO hacer cambios, manipulaciones, instalaciones adicionales ni intentos de reparación en el producto.

> Utilizar solamente accesorios que estén recomendados por Duravit.

### **Evitar la condensación**

> NO instalar el producto en una estancia con una humedad excesiva. Garantizar una ventilación suficiente, para evitar la condensación en los componentes eléctricos.

> Si el producto se lleva de un lugar frío a otro caliente, dejarlo primero unas horas desconectado para evitar una posible humedad por condensación.

## 2.5 Importantes normas de seguridad para EE. UU.

Al utilizar productos eléctricos, especialmente en presencia de niños, siempre se deben tomar medidas de seguridad fundamentales, incluidas las siguientes:

LEER TODAS LAS INSTRUCCIONES ANTES DE UTILIZAR EL PRODUCTO

### PELIGRO

#### Minimizar el riesgo de una descarga eléctrica

- > NO utilizar en la bañera.
- > NO colocarlo en un lugar desde el cual el producto pueda caerse a la bañera o al lavabo, o pueda tirarse de él.
- > NO sumergirlo ni dejar que caiga en el agua ni en ningún otro líquido.
- > NO agarrar el producto si se ha caído al agua. Desenchufar la clavija inmediatamente.

### ADVERTENCIA

#### Minimizar el riesgo de quemaduras, descargas eléctricas, fuego o lesiones

- > Es necesario estar muy atentos cuando el producto sea utilizado por niños o personas con alguna discapacidad, con ellos o en su presencia.
- > Utilizar este producto únicamente para el fin descrito en el manual de uso. NO utilizar accesorios que NO estén recomendados por el fabricante.
- > NO poner el producto en marcha si el cable o la clavija están dañados, si no funciona correctamente, si se ha caído o se ha dañado, o si se ha caído al agua. Llevar el producto a un centro de servicio para revisarlo o repararlo.
- > Mantener el cable alejado de superficies calientes.
- > NO bloquear los orificios de ventilación del producto. NO colocar el producto sobre una superficie blanda, por ejemplo una cama o un sofá, ya que se pueden bloquear los orificios de ventilación.

- > Mantener los orificios de ventilación limpios de pelusas, pelos o similares.
- > NO utilizarlo si se siente somnoliento o aturdido.
- > NO dejar que caigan ni introducir objetos por los orificios o los tubos.
- > NO utilizarlo al aire libre o en lugares en los que se utilicen aerosoles (esprays) o se suministre oxígeno.
- > Conectar el producto solamente a un enchufe conectado a tierra correctamente (solo en modelos con conexión a red). Véanse las instrucciones de la puesta a tierra.
- > Antes de rellenar el producto, desconectar la conexión a red. Rellenar el producto (el recipiente) exclusivamente con agua, siempre que el fabricante no indique lo contrario. NO llenar excesivamente (o dar instrucciones de llenado).

## GUARDAR ESTAS INSTRUCCIONES

Para todos los productos con cable conectados a tierra:

### **Instrucciones para la conexión a tierra**

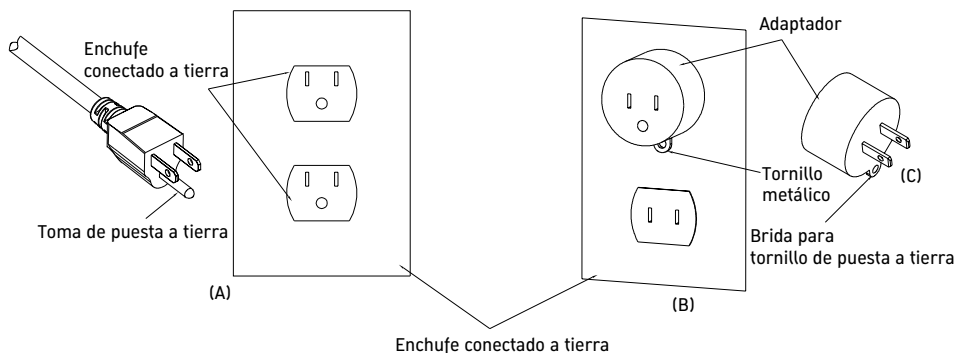
Este producto se debe conectar a tierra. La conexión a tierra se encarga de derivar la corriente eléctrica en el caso de un cortocircuito eléctrico, de modo que se reduce el peligro de descarga eléctrica. Este producto está equipado con un cable, que cuenta con un conductor de tierra y una clavija de puesta a tierra. La clavija se debe enchufar en un enchufe instalado y conectado a tierra correctamente.

### **⚠ PELIGRO**

**Si el enchufe de puesta a tierra se utiliza erróneamente, existe el peligro de descarga eléctrica.**

- > En el caso de una reparación o un cambio de cable o de clavija, NO conectar el conductor de tierra a un enchufe plano. El conductor con el aislamiento verde o verde-amarillo es el conductor de tierra.
- > Si no ha comprendido por completo las instrucciones de puesta a tierra o si tiene dudas de si el producto está correctamente conectado a tierra, diríjase a un instalador eléctrico o un técnico de servicio cualificado.

Este producto está preparado para una tensión de red de 120 V y cuenta con un enchufe de tierra como el que se muestra en el dibujo A. Si no hay disponible ningún enchufe conectado a tierra correctamente, se puede utilizar un adaptador provisional (véanse los dibujos B y C), para conectar esta clavija a un enchufe de 2 polos, como se muestra en el dibujo B. El adaptador provisional solo se deberá utilizar hasta que un instalador eléctrico cualificado instale un enchufe de tierra (dibujo A). El ojal verde, rígido, el pivote y otros salientes del adaptador se deben conectar a una conexión a tierra permanente como, por ejemplo, un enchufe conectado a tierra correctamente. Si se utiliza un adaptador, se deberá fijar con un tornillo.



Para productos que se montan en un producto conectado fijo:

### **Instrucciones para la conexión a tierra**

Este producto se debe conectar a un sistema de cables fijo, metálico, conectado a tierra. Como alternativa, un conductor de tierra del aparato se puede instalar junto con los conductores del circuito eléctrico y conectarse al borne de conexión a tierra del aparato o el cable de conexión a tierra del aparato del producto.

## **2.6 Higiene**

### **Daños para la salud debido al agua sucia, con impurezas o estancada durante mucho tiempo**

Utilizar agua sucia, con impurezas o estancada durante mucho tiempo para el lavado puede provocar daños en la salud.

- > Suministrar al producto agua potable fría de la red general.
- > NO conectar aguas residuales, aguas grises, aguas industriales, agua salada o aguas de otro tipo, ni tampoco agua que no se haya tratado o que se haya tratado parcialmente.
- > Utilizar solamente los tubos flexibles de agua suministrados, NO utilizar tubos flexibles usados.
- > Si el producto NO se ha utilizado durante dos o más semanas, activar la autolimpieza adicional.

## **2.7 Indicaciones para el uso de pilas**

Las pilas se encuentran en el mando a distancia.

### **Existe peligro de muerte en caso de ingestión/irritación por ácidos**

Este producto contiene pilas de botón. ¡NO ingerir la pila! Si se ingiere la pila, en el plazo de tan solo dos horas se pueden producir graves quemaduras internas y provocar la muerte.

- > NO ingerir la pila, peligro de irritación por ácidos.
- > Mantener tanto las pilas nuevas como las usadas fuera del alcance de los niños. Si el compartimento de las pilas NO cierra bien, dejar de utilizar el producto y mantener a los niños alejados del mismo.
- > Si se sospecha que alguna persona ha ingerido una pila o se la ha introducido en el cuerpo de cualquier otro modo, solicitar asistencia médica inmediatamente.

### **Existe peligro de sufrir daños para la salud por el derrame de ácido de las pilas**

- > Evitar cualquier contacto con la piel, los ojos y las mucosas cuando se haya producido un derrame de ácido de las pilas.
- > En caso de entrar en contacto con el ácido, lavar las zonas afectadas con abundante agua limpia y acudir a un médico de inmediato.
- > NO someter las pilas a condiciones extremas: NO depositarlas sobre superficies muy calientes NI exponerlas a los rayos solares directos. En dichos casos existe un elevado riesgo de que exploten.
- > Las pilas se deben eliminar de forma adecuada y se deben mantener lejos del alcance de los niños. Incluso las pilas usadas pueden provocar lesiones.

## **2.8 Evitar daños en el producto**

### **Indicaciones para el uso de pilas**

- > Las pilas NO se deben recargar, reactivar con otros medios, abrir ni someter a altas temperaturas (p. ej. fuego).
- > Los bornes de los polos NO se deben cortocircuitar.
- > Sacar inmediatamente las pilas descargadas del mando a distancia, ya que pueden provocar derrames y daños.
- > NO coloque pilas nuevas y usadas al mismo tiempo en el mando a distancia.
- > NO se deben combinar entre sí diferentes tipos de pilas.
- > Antes de colocarlas, limpiar las pilas y los contactos.
- > Las pilas se deben colocar teniendo en cuenta la polaridad.
- > Retirar las pilas si el mando a distancia NO se va a utilizar durante mucho tiempo.

### **Evitar que se produzcan daños en el producto o fallos de funcionamiento por un uso inadecuado**

- > NO subirse ni colocarse encima del producto.
- > NO ensuciar, salpicar o atascar el caño de lavado deliberadamente.

### **Evitar daños en el asiento y en la tapa**

- > NO sentarse o subirse a la tapa ni apoyarse sobre ella.
- > NO retirar el asiento ni la tapa.
- > No dañar la superficie del asiento. Si la superficie del asiento está dañada, ponerse en contacto con [help@duravit.com](mailto:help@duravit.com).
- > Abrir y cerrar la tapa con el mando a distancia o la App.
- > NO interrumpir con la mano la apertura o el cierre automáticos de la tapa.
- > NO colocar NINGÚN objeto pesado sobre la tapa.

## **Daños por congelación del agua**

> NO montar ni utilizar el producto en estancias con riesgo de heladas. La temperatura ambiente no debe ser inferior a los 4 °C (39 °F).

## **Daños por influencias externas**

> NO colocar ni apoyar fuentes de llama abiertas, velas, cigarrillos o similares sobre el producto.

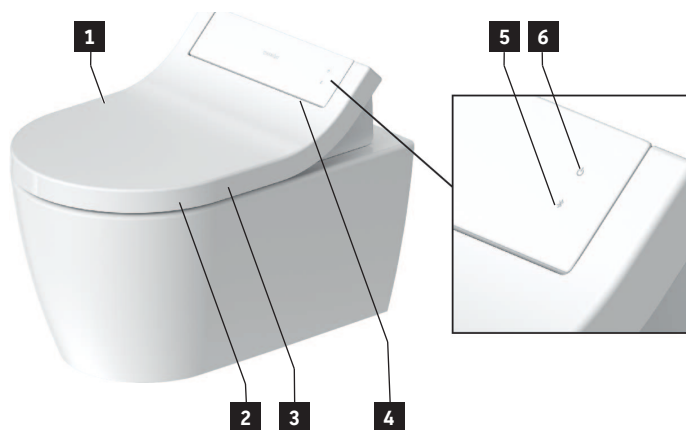
> NO exponer el producto al efecto directo del agua ni a los rayos solares directos.



### 3 Vista general del producto

#### 3.1 Estructura y descripción del funcionamiento

##### 3.1.1 Unidad de asiento



**1** Sensor (abrir tapa sin contacto)

**2** Sensor de asiento

**3** Calefacción del asiento

**4** Iluminación nocturna

**5** Tecla Bluetooth/indicador Bluetooth (LED)

**6** Tecla de encendido/indicador de estado (LED)

##### 3.1.2 Indicador LED unidad de asiento

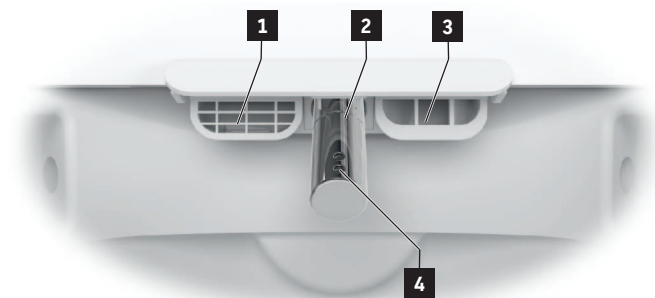
#### Tecla de encendido

LED	Función
Rojo	Modo Standby
Verde	Encendido
Naranja	Modo de ahorro energético
Intermitente	Función errónea > Apagar el producto. > Desconectar la alimentación eléctrica. > Cerrar la válvula de cierre para interrumpir el suministro de agua. > Ponerse en contacto con <a href="mailto:help@duravit.com">help@duravit.com</a> .

## Tecla Bluetooth

LED	Función
Azul	El Bluetooth está disponible o conectado.
Off	El Bluetooth no está disponible.
Intermitente	El aparato se encuentra en el modo de acoplamiento.

### 3.1.3 Área de función



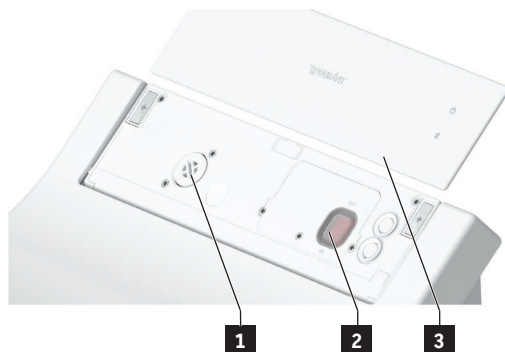
**1** Rebosadero interno

**2** Caño de lavado

**3** Secador de aire caliente

**4** Cabezal de lavado

### 3.1.4 Conexión función de descalcificación/interruptor principal



**1** Conexión función de descalcificación

**2** Interruptor principal (alimentación de corriente principal)

**3** Tapa magnética

### 3.2 Ajustes de fábrica

Función	Valores de ajustes	Ajustes de fábrica
Abrir/cerrar la tapa sin contacto	On/off	Off
Lavado Confort	On/off	On
Temperatura del secador de aire caliente	Off/baja/media/alta	Media
Posición de surtidor	1, 2, 3, 4, 5	3
Intensidad del chorro de lavado	Baja/media/alta	Media
Temperatura del agua	Off/baja/media/alta	Media
Calefacción del asiento	On/off	On
Modo de ahorro energético	On/off	Off
Iluminación nocturna	Off/auto/on	Auto
Tono de confirmación	On/off	On

## 4 Primera puesta en marcha

### 4.1 Seguridad

#### ATENCIÓN

#### **Daños para la salud debido al agua sucia, con impurezas o estancada durante mucho tiempo**

Utilizar agua sucia, con impurezas o estancada durante mucho tiempo para el lavado puede provocar daños en la salud.

- > Si el producto NO se ha utilizado durante dos o más semanas, activar la autolimpieza adicional.

### 4.2 Activar el producto

El producto debe estar instalado por completo según las instrucciones de montaje y conectado al suministro de corriente principal y la toma de agua.

- > Asegurarse de que la válvula de cierre esté abierta.
- > Encender el producto con la tecla de encendido/indicador de estado (LED).

### 4.3 Descargar la App



- > Buscar «SensoWash 2.0» en Play Store (Android) o «SensoWash» en App Store (iOS).
- > Descargar la App.
- > Dado el caso, autorizar el acceso a los servicios de ubicación (GPS).

### 4.4 Acoplar la App

El producto se conecta a la App mediante Bluetooth. El producto y la función de Bluetooth deben estar activados para poder establecer la conexión.

- > Encender el producto con la tecla de encendido/indicador de estado (LED) de la unidad de asiento.

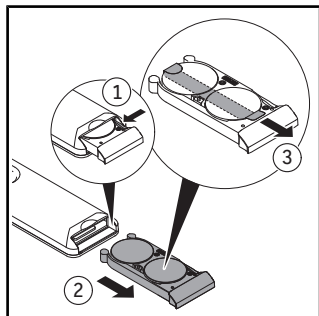
La tecla empieza a parpadear.

- > Activar el Bluetooth con la tecla de Bluetooth/indicador Bluetooth (LED) de la unidad de asiento.
- > Activar la App en el terminal móvil.
- > Seguir las instrucciones paso a paso de la App.

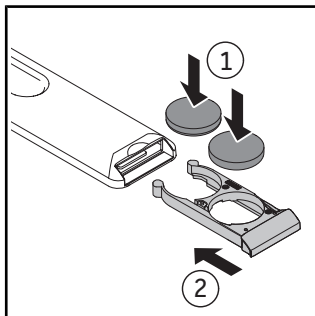
La App avisa cuando se ha establecido la conexión.

## 4.5 Activar el mando a distancia

### 4.5.1 Mando a distancia con pilas



- > Extraer el compartimento de pilas.
- > Pulsar la palanca para abrir por completo el compartimento de pilas.
- > Retirar la lámina protectora.



- > Colocar las pilas (CR2450).
- > Cerrar el compartimento de pilas.

## 5 Manejo

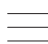

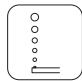


### 5.1 Mando a distancia/App






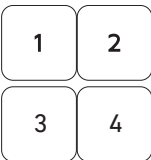


El producto se puede controlar con el mando a distancia (funciones básicas) o la App (alcance ampliado). Existe una serie de ajustes que solamente se pueden llevar a cabo con la App. Las funciones están configuradas según los ajustes de fábrica.

> Descargar la App para poder llevar a cabo toda la gama de ajustes disponibles para este producto.



\*El alcance de las funciones que se muestran en las imágenes es ilustrativo. El alcance real de las funciones puede diferir en función del modelo.

Símbolo	Nombre
	Menú
	Añadir o eliminar el producto.
	Activa el <b>lavado general</b> . Si la función no finaliza, se detiene automáticamente al cabo de 2 minutos.
	Activa el <b>lavado femenino</b> . Si la función no finaliza, se detiene automáticamente al cabo de 2 minutos.
	Activa (señal acústica breve) / desactiva (señal acústica larga) la <b>calefacción del asiento</b> .

Símbolo	Nombre
	Activa el <b>secador de aire caliente</b> . La función cuenta con los niveles off/bajo/medio/alto. Si la función no finaliza, se detiene automáticamente al cabo de 5 minutos. [▶App] Home – Secador de aire caliente – Temperatura
	Ajusta la <b>temperatura del agua</b> . La función cuenta con los niveles off/bajo/medio/alto. Los ajustes se muestran en el mando a distancia (LED) y en la App. [▶App] Home – Lavado general/lavado femenino
	Ajusta la <b>intensidad del chorro de la ducha</b> . La función cuenta con los niveles bajo/medio/alto. Los ajustes se muestran en el mando a distancia (LED) y en la App. [▶App] Home – Lavado general/lavado femenino
	Ajusta la <b>posición del caño de lavado</b> . La función cuenta con los niveles 1, 2, 3, 4 y 5. Los ajustes se muestran en el mando a distancia (LED) y en la App. [▶App] Home – Lavado general/lavado femenino
	Activa la <b>absorción de olores</b> . Si la función no finaliza, se detiene automáticamente al cabo de 1 minuto.
	Activa el <b>perfil de usuario</b> (solo mando a distancia).
	Abre/cierra la <b>tapa</b> .
	<b>Detiene</b> la función en curso.

**CONSEJO** El asiento tiene un sensor. Las funciones de ducha y de secador solamente se pueden activar cuando el usuario está sentado en el inodoro.

## 5.2 Abrir y cerrar la tapa

### INDICACIÓN

#### Daños en la unidad de asiento

Interrumpir la función en marcha de la apertura o el cierre mecánicos de la tapa puede provocar daños en el producto.

> NO interrumpir con la mano la apertura o el cierre mecánicos de la tapa.

La tapa se puede abrir y cerrar con el mando a distancia o la App. El producto cuenta, además con un sensor de proximidad. La tapa se abre y se cierra sin contacto en cuanto el usuario se acerca o se aleja.

## 5.3 Establecer el perfil de usuario con el mando a distancia

Las preferencias personales se pueden guardar en los diferentes perfiles de usuario.

> Activar lavado general/lavado femenino.

> Ajustar la posición del caño de lavado, la intensidad del chorro de la ducha y la temperatura del agua durante el funcionamiento.

Los LED del mando a distancia indican el ajuste correspondiente.

> Para guardar el perfil, pulsar durante 3 segundos en el perfil de usuario 1/2/3/4.

**CONSEJO** El asiento tiene un sensor. Las funciones de ducha y de secador solamente se pueden activar cuando el usuario está sentado en el inodoro.

## 5.4 Eficiencia energética y del agua

Con el fin de minimizar el consumo de recursos naturales, el producto tiene un calentador continuo y una función de parada automática para todas las funciones de lavado y de secador. Para ahorrar energía en el uso cotidiano, es posible adaptar los ajustes siguientes:

### 5.4.1 Modo de ahorro energético (calefacción del asiento)

Desactiva la calefacción del asiento durante un periodo de tiempo establecido, p. ej. durante el día, durante el trabajo. Al activar la función, la calefacción del asiento se desactiva durante 8 h y después de vuelve a activar automáticamente durante 16 h. Este proceso se repite a diario a la misma hora, hasta que se desactiva la función.

> Activar el modo de ahorro energético con la App. [▶App] Menú – Ajustes – Asiento



## 6 Limpieza y mantenimiento

### 6.1 Seguridad



#### **ADVERTENCIA**

##### **Peligro de muerte por descarga eléctrica**

En la unidad de asiento se encuentran los componentes eléctricos del producto.

- > Antes de limpiar el producto, desconectarlo de la red eléctrica con la alimentación eléctrica principal.
- > NO verter agua sobre la unidad de asiento.
- > NO dejar que penetre agua en la unidad de asiento.

\*Solo la versión Pro

#### **INDICACIÓN**

##### **Daños en el producto debido a una limpieza y un mantenimiento incorrectos**

Los detergentes, utensilios de limpieza y equipos de limpieza inadecuados pueden dañar y decolorar la superficie de forma permanente.

- > Utilizar solamente detergentes y utensilios de limpieza recomendados por Duravit.
- > Seguir las instrucciones de uso del fabricante del detergente.
- > Utilizar solamente equipos de limpieza pensados para el ámbito de aplicación (NO utilizar equipos de limpieza de alta presión ni de vapor).

#### **INDICACIÓN**

##### **Daños en el producto debido a la niebla pulverizada**

Un producto aplicado con pulverizador puede introducirse en los orificios más pequeños y provocar daños en la superficie.

- > Aplicar el producto limpiador de pulverización sobre un trapo de limpieza y no directamente sobre el producto.

#### **INDICACIÓN**

##### **Daños en el producto debido a unos intervalos de limpieza prolongados**

Unos intervalos de limpieza demasiado largos pueden hacer que la suciedad quede incrustada.

- > Limpiar la superficie periódicamente y cuando esté sucia.

## 6.2 Recomendaciones de limpieza

### 6.2.1 Limpieza

- > Limpiar la superficie con un paño de limpieza húmedo.
- > Eliminar la suciedad resistente con el detergente recomendado. Aplicar siempre el detergente en el paño de limpieza.
- > Utilizar una escobilla para limpiar el inodoro/urinario.
- > Aclarar con agua limpia para eliminar todos los restos del producto de limpieza.
- > Secar la superficie.

### 6.2.2 Detergentes recomendados

Componente	Producto de limpieza	Utensilios de limpieza
Asiento y tapa	Detergente neutro (pH 6 – 8) (p. ej. limpiador neutro)	Paño de limpieza de algodón
Tapa	Detergente neutro (pH 6 – 8) (p. ej. limpiador neutro)	Paño de limpieza de algodón
Caño de lavado/cabezal del caño	Detergente neutro (pH 6 – 8) (p. ej. limpiador neutro)	– Paño de limpieza de fibra sintética – Esponja abrasiva
Cerámica Limpieza diaria	Detergente neutro (pH 6 – 8) (p. ej. limpiador neutro)	– Paño de limpieza de fibra sintética – Escobilla de inodoro
Cerámica Cal	Detergente ácido (pH < 6 ) (p. ej. limpiador a base de limón)	– Paño de limpieza de fibra sintética – Escobilla de inodoro
Mando a distancia	Agua	Paño de limpieza de algodón

## 6.3 Autolimpieza del caño de lavado y del cabezal del caño

Antes y después de cada lavado, el caño de lavado introducido se limpia automáticamente.

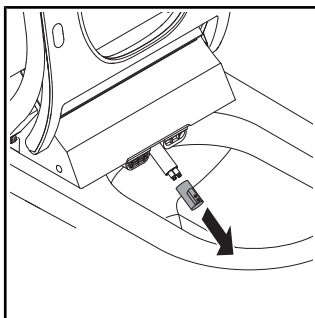
- > Si el producto NO se ha utilizado durante dos o más semanas, activar con la App la autolimpieza adicional. [►App] Menú – Mantenimiento – Autolimpieza

## 6.4 Modo de limpieza manual para el caño de lavado y el cabezal del caño

La limpieza manual solo es posible cuando el sensor del asiento está desactivado.



> Activar el modo limpieza manual con la App.  
[►App] Menú – Mantenimiento – Limpieza manual



> Retirar el cabezal del caño para limpiarlo.

**CONSEJO** La función solo se puede activar cuando no hay nadie sentado en el inodoro/el sensor del asiento está desactivado.

## 6.5 Descalcificación mediante mando a distancia

### INDICACIÓN

#### Limitación funcional o desperfectos en el producto debido a calcificación

En zonas con agua dura, es posible que se formen sedimentos de cal. La cal puede afectar al rendimiento del producto.

- > Verificar la calidad del agua de su región. Si la dureza del agua es  $\geq 14$  °dH (2,5 mmol/l), Duravit recomienda instalar un descalcificador.
- > Descalcificar el producto con regularidad. La App envía un recordatorio automático.
- > Configurar los ajustes de descalcificación en función de la dureza del agua de la zona.  
[►App] Menú – Mantenimiento – Descalcificación
- > Utilizar solo productos de descalcificación originales de Duravit u homologados por Duravit.

Dureza del agua	Ciclo de descalcificación
Blanda: < 8,4 °dH (1,5 mmol/l)	Cada medio año
Media: 8,4 – 14 °dH (1,5 – 2,5 mmol/l)	Cada medio año
Dura: > 14 °dH (2,5 mmol/l)	Cada tres meses

El proceso de descalcificación se puede activar con la App.

- > Seguir las instrucciones de la App.

El proceso de descalcificación se puede activar con el mando a distancia.

## 7 Solución de problemas

### 7.1 Aspectos generales

Procedimiento en caso de avería:

- > Apagar y volver a encender el producto.
- > Seguir las indicaciones siguientes.
- > Si el producto sigue sin funcionar correctamente, ponerse en contacto con [help@duravit.com](mailto:help@duravit.com).
- > Tener preparado el número de artículo. El número de artículo se encuentra en los datos técnicos al final del manual de uso, en la etiqueta del embalaje, en la etiqueta del producto, en las instrucciones de montaje y en la aplicación.  
[▶App] Menú – Guía del dispositivo – Administración del aparato – Información del aparato

### 7.2 Solución de fallos

Problema	Causa posible	Solución
<b>Indicador LED (unidad de asiento)</b>		
El indicador LED parpadea (rojo, verde, naranja) o suena un pitido.	Función errónea	<ul style="list-style-type: none"><li>&gt; Apagar el producto.</li><li>&gt; Desconectar la alimentación eléctrica.</li><li>&gt; Cerrar la válvula de cierre para interrumpir el suministro de agua.</li><li>&gt; Ponerse en contacto con <a href="mailto:help@duravit.com">help@duravit.com</a>.</li></ul>
<b>Problemas generales</b>		
El producto no funciona.	El producto está apagado (la tecla de encendido/indicador de estado está apagado).	> Encender el producto.
	El producto está en modo Standby (la tecla de encendido/indicador de estado se ilumina en rojo).	> Activar el producto.

<b>Problema</b>	<b>Causa posible</b>	<b>Solución</b>
Sale agua.	Fuga	<ul style="list-style-type: none"> <li>&gt; Apagar el producto.</li> <li>&gt; Desconectar la alimentación eléctrica.</li> <li>&gt; Cerrar la válvula de cierre para interrumpir el suministro de agua.</li> <li>&gt; Ponerse en contacto con <a href="mailto:help@duravit.com">help@duravit.com</a>.</li> </ul>
<b>Mando a distancia</b>		
El mando a distancia no reacciona.	Las pilas están descargadas (el indicador LED parpadea en blanco).	> Cambiar las pilas.
	El mando a distancia no está conectado al producto (el indicador LED parpadea en rojo).	> Ponerse en contacto con <a href="mailto:help@duravit.com">help@duravit.com</a> .
	Las pilas no están puestas.	> Colocar las pilas.
	El mando a distancia está defectuoso.	> Ponerse en contacto con <a href="mailto:help@duravit.com">help@duravit.com</a> .
<b>Funciones de lavado</b>		
El cambio entre lavado general y lavado femenino dura mucho tiempo.	El caño de lavado se introduce entre las funciones. El cambio dura unos 12 s.	Estado normal
La intensidad del chorro de agua es muy débil.	La intensidad del chorro de agua está ajustado en «baja».	<ul style="list-style-type: none"> <li>&gt; Aumentar la intensidad del chorro.</li> <li>[►App] Home – Lavado general/lavado femenino</li> </ul>
	El conducto de agua está pellizcado o aplastado.	> Ponerse en contacto con <a href="mailto:help@duravit.com">help@duravit.com</a> .
La intensidad del chorro de agua es inestable.	El filtro de agua está atascado.	> Ponerse en contacto con <a href="mailto:help@duravit.com">help@duravit.com</a> .

<b>Problema</b>	<b>Causa posible</b>	<b>Solución</b>
La temperatura del agua es demasiado alta/baja.	La temperatura está mal ajustada.	> Ajustar la temperatura. [▶App] Home – Lavado general/lavado femenino
El lavado general/lavado femenino se detiene automáticamente.	La función se detiene automáticamente al cabo de 2 min.	Estado normal
	El sensor del asiento ha perdido el contacto.	> Sentarse de nuevo. > Activar la función.
El lavado general/lavado femenino no funciona.	El cabezal del caño está atascado.	> Limpiar el cabezal del caño. [▶App] Home – Lavado general/lavado femenino
	El sensor del asiento ha perdido el contacto.	> Sentarse de nuevo. > Activar la función.
<b>Calefacción del asiento</b>		
La calefacción del asiento no funciona.	La función está desactivada.	> Activar la función. [▶App] Ajustes – Asiento
La temperatura del asiento es demasiado alta/baja.	La temperatura está mal ajustada.	> Ajustar la temperatura. [▶App] Ajustes – Asiento
La temperatura del asiento es demasiado baja.	El producto se encuentra en el modo de ahorro energético (el indicador LED se ilumina en naranja).	> Desactivar el modo de ahorro energético. [▶App] Ajustes – Asiento
	El producto activa el modo de ahorro energético automáticamente, cuando todas las funciones han estado inactivas durante más de 48 h.	> Seleccionar cualquier función para reactivar el producto.

<b>Problema</b>	<b>Causa posible</b>	<b>Solución</b>
<b>Secador de aire caliente</b>		
La temperatura del secador de aire caliente es demasiado alta/baja.	La temperatura está mal ajustada.	> Ajustar la temperatura. [▶App] Home – Secador de aire caliente
El secador de aire caliente se detiene automáticamente.	La función se detiene automáticamente al cabo de 5 min.	Estado normal
	El sensor del asiento ha perdido el contacto.	> Sentarse de nuevo. > Activar la función.
<b>Iluminación nocturna</b>		
La iluminación nocturna no funciona.	La función está desactivada.	> Activar la iluminación nocturna o el modo automático. [▶App] Ajustes – Iluminación y sonido
	El modo automático está activado. La función desactiva la iluminación nocturna automáticamente, cuando la luz del ambiente es clara.	Estado normal
La iluminación nocturna se enciende de forma permanente.	La función está activada.	> Desactivar la iluminación nocturna o activar el modo automático. [▶App] Ajustes – Iluminación y sonido
	El modo automático está activado. La función activa la iluminación nocturna automáticamente, cuando la luz del ambiente es oscura.	Estado normal

<b>Problema</b>	<b>Causa posible</b>	<b>Solución</b>
<b>Limpieza manual</b>		
El caño de lavado se introduce automáticamente.	La función se detiene automáticamente al cabo de 2 min.	> Activar la función. [▶App] Mantenimiento – Limpieza manual
<b>Autolimpieza automática</b>		
Gotea agua del caño de lavado introducido.	Antes y después de cada lavado, el caño de lavado introducido se limpia automáticamente.	Estado normal
<b>Tapa</b>		
La tapa no se abre automáticamente.	El producto no ha detectado al usuario que se acerca.	> Acercarse de nuevo al producto (distancia aprox. 1 m).
	La función está defectuosa.	> Ponerse en contacto con <a href="mailto:help@duravit.com">help@duravit.com</a> .
	La función no está activada.	> Activar la función. [▶App] Ajustes – Tapa
La tapa no se cierra inmediatamente.	Una vez el usuario se ha alejado, la tapa se cierra automáticamente al cabo de 90 s.	Estado normal
<b>App</b>		
La App no funciona.	La App y el producto no están conectados.	> Conectar el producto con la App.  > Asegurarse de que el acoplamiento se ha efectuado correctamente.



## 8 Eliminación

### 8.1 Embalaje

Los niños no deben jugar con bolsas de plástico o material de embalaje, ya que existe peligro de asfixia o de sufrir lesiones. Almacene estos materiales en un lugar seguro o deséchelos de forma respetuosa con el medio ambiente. Si es posible, guarde el embalaje hasta que finalice el plazo de garantía.

### 8.2 RAEE



El símbolo con el cubo de la basura tachado hace referencia a una eliminación separada como residuos de aparatos eléctricos y electrónicos (RAEE). Los aparatos electrónicos y eléctricos usados pueden contener sustancias peligrosas. No eliminar este producto con la basura doméstica. Entregue el producto en un punto de recogida especializado para el reciclaje de aparatos eléctricos y electrónicos usados (RAEE). De este modo ayudará a conservar las materias primas y proteger al medio ambiente. Su distribuidor o las autoridades competentes le facilitarán más información. Deshágase de las pilas usadas de la manera correcta. Existen contenedores para la recogida de pilas en los distribuidores habituales y en los centros locales de recogida de residuos.

## 9 Datos técnicos

<b>Aspectos generales</b>	
Número de artículo	#613000 01 1 00 1300 #613200 01 1 00 1300 #613000 01 1 04 1300 #613200 01 1 04 1300
Peso neto	4,5 kg (10 lbs)
Dimensiones	
#613000 01 1 00 1300 #613000 01 1 04 1300	520 x 365 x 140 mm (20 1/2 x 14 3/8 x 5 1/2")
#613200 01 1 00 1300 #613200 01 1 04 1300	520 x 375 x 140 mm (20 1/2 x 14 3/4 x 5 1/2")
Tensión nominal	100 – 120 V
Frecuencia	60 Hz
Potencia nominal	1080 W
Modo Standby	< 0,5 W
Presión del agua de entrada	0,07 – 0,75 MPa / 0,7 – 7,5 bar (10 – 109 psi)
Tipo de protección	IPX4 protección contra salpicaduras de agua

<b>Potencia de calefacción</b>	
Calentador de paso	1480 W
Calefacción del asiento	50 W
Secador de aire caliente	280 W

<b>Rango de temperatura</b>	
Temperatura de funcionamiento	4 – 40 °C (39 – 104 °F)
Temperatura del agua	33 – 41 °C (92 – 106 °F)
Temperatura del asiento	30 – 40 °C (86 – 104 °F)

<b>Rango de temperatura</b>	
Temperatura del secador de aire caliente	35 – 55 °C (95 – 131 °F)

<b>Consumo de agua</b>	
Funcionamiento del lavado	0,35 – 0,7 l/min (0,09 – 0,18 gal/min)

<b>BLE (Bluetooth Low Energy)</b>	
Nivel de potencia máximo	< 10 dBm
Frecuencia de servicio	Bluetooth 2400 – 2483,5 MHz (2,400 – 2,4835 GHz)

### **Declaración de Conformidad de la FCC**

Este aparato cumple la parte 15 de las normas de la FCC. El funcionamiento está sujeto a las dos condiciones siguientes:

1. Este aparato no debe causar fallos perjudiciales.
2. Este aparato debe aceptar todas las interferencias, incluidas las interferencias que puedan ocasionar un funcionamiento no deseado.

### **! ADVERTENCIA**

En caso de cambios o modificaciones que no hayan sido autorizadas expresamente por la parte responsable de la conformidad, el usuario perderá el derecho a utilizar al aparato.

Este aparato ha sido probado y cumple los requisitos de un aparato digital de la clase B, según la parte 15 de las normas FCC. Estos valores límite ofrecen una protección adecuada contra las interferencias dañinas durante el funcionamiento del aparato en zonas urbanas. Este aparato genera, utiliza y puede emitir energía de alta frecuencia. Si el aparato no se instala ni se utiliza correctamente, pueden producirse interferencias de radio. No obstante, no se ofrece ninguna garantía de que no vayan a producirse interferencias dañinas en una instalación determinada. Apagando y encendiendo el aparato es posible determinar si se ven afectadas la recepción de radio o de televisión. En este caso, se debe intentar solucionar las interferencias tomando una o varias de las medidas siguientes:

- > Cambiar la orientación de la antena de recepción o cambiar la ubicación.
- > Aumentar la distancia entre el aparato y el receptor.
- > Conectar el aparato a un circuito de corriente diferente del receptor.
- > Solicitar ayuda al distribuidor o a un técnico de radio/televisión experimentado.

### **Declaración de conformidad de Industry Canada (IC)**

Este aparato cumple las normas RSS sin licencia según Industry Canada. El funcionamiento está sujeto a las dos condiciones siguientes:

1. Este aparato no debe causar interferencias.
2. Este aparato debe aceptar todas las interferencias, incluidas las interferencias que puedan ocasionar un funcionamiento no deseado.

### **Garantía**

Las condiciones de garantía se pueden consultar en las Condiciones y Términos Generales de Venta (CGC) en <https://pro.duravit.com/gtc>.







**DURAVIT USA, INC.**  
2635 North Berkeley Lake Rd., Ste.  
100  
Duluth, GA 30096  
Toll Free 888-DURAVIT  
Phone 770-931-3575  
Fax 770-931-8454  
info@us.duravit.com  
www.duravit.us



5927  
Order no. 70000847/2023.04.1 We reserve the right to make technical improvements and enhance the appearance of the products shown