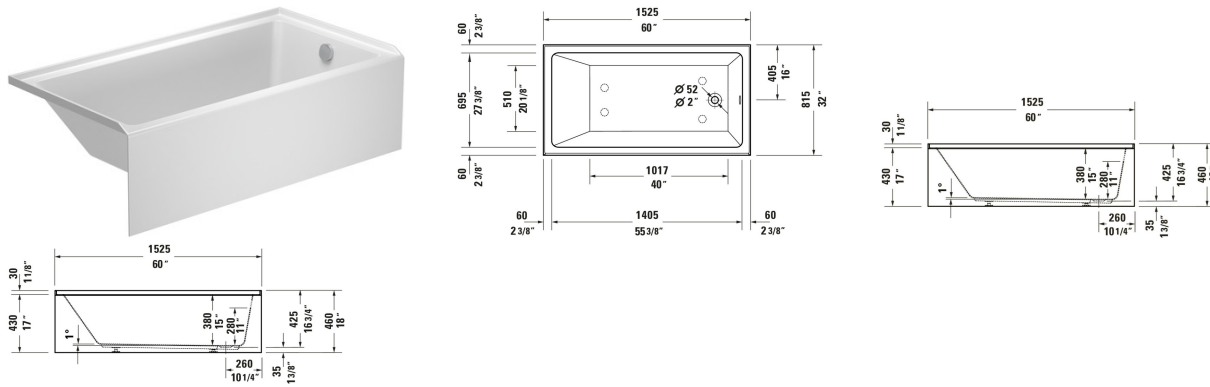


**Duravit No.1 Bathtub # 70065500000090**

| < 60 " > |



| Bathtub  | Dimension        | Weight    | Order number   |
|--|------------------|-----------|----------------|
| Installation Type: Alcove, Integrated acrylic panel front, White, Sanitary acrylic, Number of backrests: 1 Left, Includes support frame, Overflow: Yes, Drain orientation: Right, Overflow position: Foot end, Capacity gal: 53 gal, Internal Depth: 16 1/8 ", Height with Panel: 18 1/8 " |                  |           |                |
| <b>Colors</b>  |                  |           |                |
| 00 White   |                  |           |                |
| <b>Variant</b>   |                  |           |                |
| ADA: Yes, cUPC listed: Yes   |                  | 74.957 lb | 70065500000090 |
| <b>Suitable products</b>   |                  |           |                |
| Waste and overflow Bowden cable length: 22 1/8 ", 28 3/4 x 3 1/2 "   | 28 3/4 x 3 1/2 " |           | 792824         |
| Waste and overflow Bowden cable length: 21 ", 18 7/8 x 3/8 "   | 18 7/8 x 3/8 "   |           | 792820         |
| Waste and overflow ADA: Yes, 28 3/4 x 3 1/2 "  | 28 3/4 x 3 1/2 " |           | 792828         |
| Waste and overflow ADA: Yes, 28 3/4 x 3 1/2 "  | 28 3/4 x 3 1/2 " |           | 792829         |
| Waste and overflow Bowden cable length: 27 ", Diameter waste plug: 2 ", 15 3/4 x 3 1/8 "   | 15 3/4 x 3 1/8 " |           | 791224         |
| Mounting Bracket Mounting kit , 28 x 3 "   | 28 x 3 "         |           | 790160         |
| Bolt Cap , 15 3/4 x 3 1/8 "  | 15 3/4 x 3 1/8 " |           | 791225         |
| shower tray foot Matches series Architec, 2 1/8 x 2 1/8 "  | 2 1/8 x 2 1/8 "  |           | 790164         |
| Waste and overflow Bowden cable length: 25 7/8 ", Diameter waste plug: 2 ", 15 3/4 x 3 1/8 "   | 15 3/4 x 3 1/8 " |           | 791255         |

All drawings contain the necessary measurements which are subject to standard tolerances. They are stated in inch & mm and are non-binding. Exact measurements, in particular for customized installation scenarios, can only be taken from the finished ceramic piece.