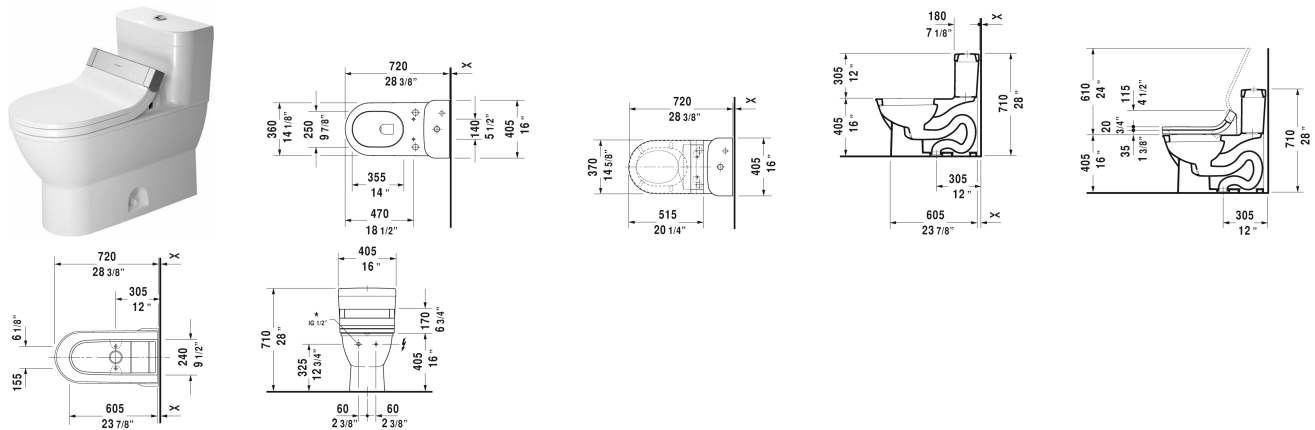


Darling New One-Piece toilet for SensoWash® # 212351..05

< 15 3/4" Inch >



One-Piece toilet for SensoWash®	Dimension	Weight	Order number
<p>only in combination with SensoWash, syphonic, 12" rough-in, with single flush piston valve, top flush, connecting elements for SensoWash with concealed connections included, vertical outlet, cUPC® listed*, 1.28 gpf</p>			
Colors			
<p>00 White 20 HygieneGlaze (an antibacterial ceramic glaze that provides almost indefinite effectiveness)</p>			
Variant			
<p>●</p>	<p>15 3/4" x 28 1/8" Inch</p>	<p>106.5 lb</p>	<p>212351..05</p>
Infobox			
<p>* Complies with following standards: ASME A112.19.2/CSA B45.1</p>			
<p>Sanitary ceramics with the special WonderGliss surface finish will remain clean and attractive-looking for a long time to come. When ordering WonderGliss please add a "1" as eleventh digit to the model number.</p>			
<p>Mounting set for One-Piece and Two-Piece toilets, outlet 3/8" - male thread, wall connection 1/2" - female thread, 1/2", North American version</p>	<p>17 3/4" Inch</p>	<p>1.1 lb</p>	<p>001417</p>
Suitable products			

Darling New One-Piece toilet for SensoWash® # 212351..05

|< 15 3/4" Inch >|

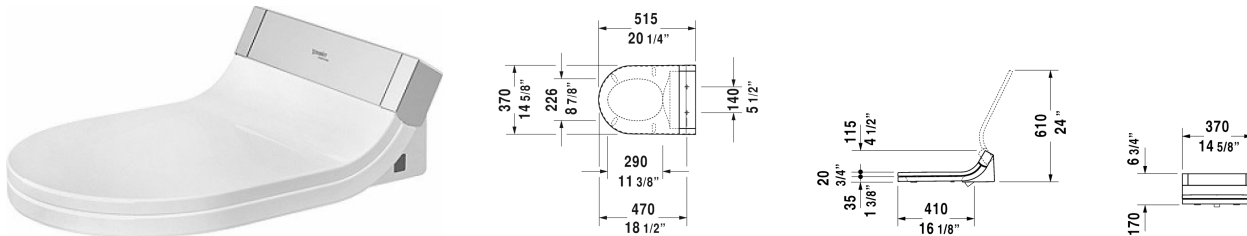
SensoWash® Starck C shower-toilet seat for ME by Starck, Starck 2, Starck 3 and Darling New* rear-, front and oscillating wash, individual adjustment of water-, air- and seat surface temperature as well as nozzle position and jet strength, power actuated lid and seat, night light, 2 individually programmable user profiles, remote control included, self-cleaning wand, on / off-button, with concealed connections, Quick release: easy seat unit removal and attachment, 14 5/8" x 20 1/4" Inch

610001

All drawings contain the necessary measurements which are subject to standard tolerances. They are stated in inch & mm and are non-binding. Exact measurements, in particular for customized installation scenarios, can only be taken from the finished ceramic piece.

SensoWash® Starck C shower-toilet seat for ME by Starck, Starck 2, Starck 3 and Darling New* # 610001001001300

| < 14 5/8" Inch > |



SensoWash® Starck C shower-toilet seat for ME by Starck, Starck 2, Starck 3 and Darling New*	Dimension	Weight	Order number
<p>rear-, front and oscillating wash, individual adjustment of water-, air- and seat surface temperature as well as nozzle position and jet strength, power actuated lid and seat, night light, 2 individually programmable user profiles, remote control included, self-cleaning wand, on / off-button, with concealed connections, Quick release: easy seat unit removal and attachment</p>			
<p>Colors 00 White</p>			
<p>Variant AC 100-120V, 50-60 Hz</p>	14 5/8" x 20 1/4" Inch	14.1 lb	610001001001300
<p>Infobox Install a water water softener with water hardness ≥ 2.4 mmol/l ($\geq 14^\circ$ dH or 24° fH).</p>			
<p>Suitable products Toilet wall-mounted for SensoWash® washdown model, only in combination with SensoWash, connecting elements for SensoWash with concealed connections included, Durafix included, cUPC® listed*, 14 5/8" x 24 3/8" Inch</p>	14 5/8" x 24 3/8" Inch		254459
<p>Toilet wall-mounted for SensoWash® washdown model, only in combination with SensoWash, connecting elements for SensoWash with concealed connections included, Durafix included, cUPC® listed*, 14 5/8" x 24 3/8" Inch</p>	14 5/8" x 24 3/8" Inch		222659
<p>Toilet close-coupled for SensoWash® (without tank), washdown model, only in combination with SensoWash, connecting elements for SensoWash with concealed connections included, hardware included, cUPC® listed*, 14 5/8" x 27 3/4" Inch</p>	14 5/8" x 27 3/4" Inch		214159
<p>Toilet close-coupled for SensoWash® (without tank), washdown model, only in combination with SensoWash, connecting elements for SensoWash with concealed connections included, hardware included, cUPC® listed*, 14 3/4" x 28 3/8" Inch</p>	14 3/4" x 28 3/8" Inch		212959

SensoWash® Starck C shower-toilet seat for ME by Starck, Starck 2, Starck 3 and Darling New* # 610001001001300

| < 14 5/8" Inch > |

Toilet wall-mounted for SensoWash® washdown model, only in combination with SensoWash, connecting elements for SensoWash with concealed connections included, Durafix included, cUPC® listed*, 14 1/8" x 24 3/8" Inch	14 1/8" x 24 3/8" Inch	253359
Two-piece toilet for SensoWash® (without tank), only in combination with SensoWash, syphonic, 12" rough-in, connecting elements for SensoWash with concealed connections included, vertical outlet, cUPC® listed*, 1.28 gpf, 14 5/8" x 27 1/2" Inch	14 5/8" x 27 1/2" Inch	212651
One-Piece toilet for SensoWash® only in combination with SensoWash, syphonic, 12" rough-in, with single flush piston valve, top flush, connecting elements for SensoWash with concealed connections included, vertical outlet, cUPC® listed*, 1.28 gpf, 15 3/4" x 28 1/8" Inch	15 3/4" x 28 1/8" Inch	212351
One-Piece toilet for SensoWash® only in combination with SensoWash, syphonic, 12" rough-in, with single flush mechanism, with side lever, 3" flapper valve, connecting elements for SensoWash with concealed connections included, vertical outlet, cUPC® listed*, 1.28 gpf, 14 5/8" x 28 1/8" Inch	14 5/8" x 28 1/8" Inch	212051
Two-piece toilet for SensoWash® (without tank), only in combination with SensoWash, elongated, 12" rough-in, vertical outlet, connecting elements for SensoWash with concealed connections included, cUPC® listed*, 1.28 gpf, 14 5/8" x 27 3/4" Inch	14 5/8" x 27 3/4" Inch	212551
One-Piece toilet for SensoWash® only in combination with SensoWash, syphonic, 12" rough-in, with single flush piston valve, top flush, vertical outlet, connecting elements for SensoWash with concealed connections included, cUPC® listed*, 1.28 gpf, 14 3/4" x 28 1/8" Inch	14 3/4" x 28 1/8" Inch	213351
One-Piece toilet Duravit Rimless for SensoWash® rimless, connecting elements for SensoWash with concealed connections included, syphonic, 12" rough-in, only in combination with SensoWash, vertical outlet, cUPC® listed*, 14 1/8" x 28 3/4" Inch	14 1/8" x 28 3/4" Inch	217351

All drawings contain the necessary measurements which are subject to standard tolerances. They are stated in inch & mm and are non-binding. Exact measurements, in particular for customized installation scenarios, can only be taken from the finished ceramic piece.