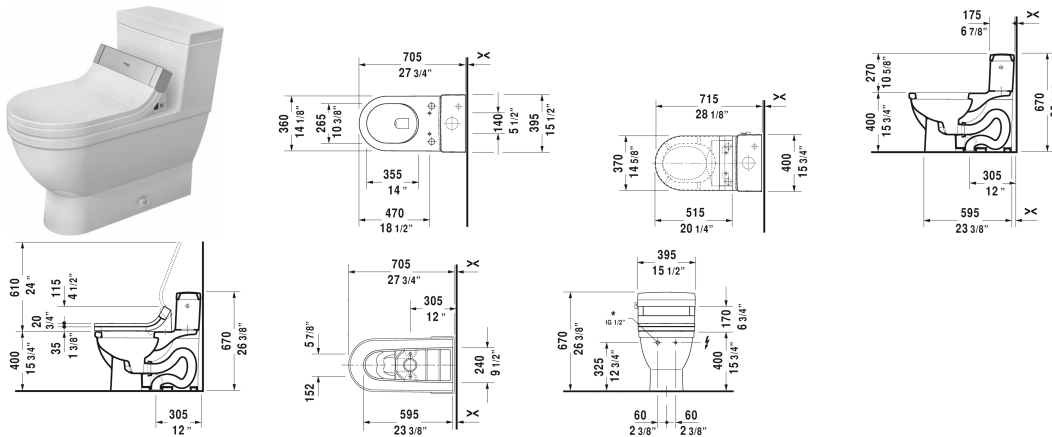


**Starck 3 One-Piece toilet for SensoWash® # 212051..01**

**< 14 5/8" Inch >**



One-Piece toilet for SensoWash®	Dimension	Weight	Order number
<p>only in combination with SensoWash, syphonic, 12" rough-in, with single flush mechanism, with side lever, 3" flapper valve, connecting elements for SensoWash with concealed connections included, vertical outlet, cUPC® listed*, 1.28 gpf</p>			
<b>Colors</b>			
<p>00 White 20 HygieneGlaze (an antibacterial ceramic glaze that provides almost indefinite effectiveness)</p>			
<b>Variant</b>			
<p>♦</p>	14 5/8" x 28 1/8" Inch	114.9 lb	212051..01
<b>Infobox</b>			
<p>* Complies with following standards: ASME A112.19.2/CSA B45.1</p>			
<p>Sanitary ceramics with the special WonderGliss surface finish will remain clean and attractive-looking for a long time to come. When ordering WonderGliss please add a "1" as eleventh digit to the model number.</p>			
<p>Mounting set for One-Piece and Two-Piece toilets, outlet 3/8" - male thread, wall connection 1/2" - female thread, 1/2", North American version</p>	17 3/4" Inch	1.1 lb	001417
<b>Suitable products</b>			

**Starck 3 One-Piece toilet for SensoWash® # 212051..01**

|< 14 5/8" Inch >|

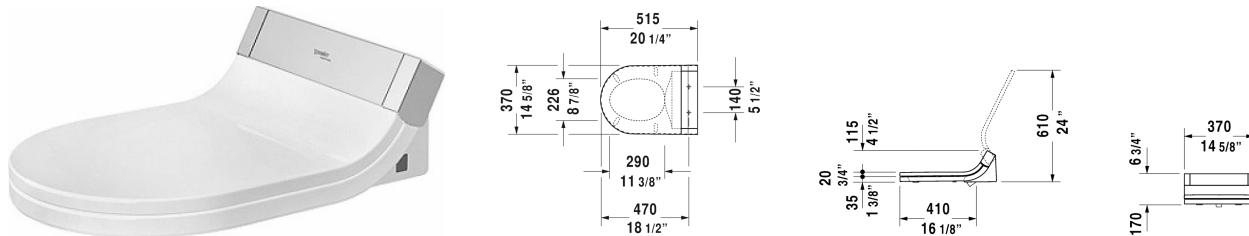
SensoWash® Starck C shower-toilet seat for ME by Starck, Starck 2, Starck 3 and Darling New\* rear-, front and oscillating wash, individual adjustment of water-, air- and seat surface temperature as well as nozzle position and jet strength, power actuated lid and seat, night light, 2 individually programmable user profiles, remote control included, self-cleaning wand, on / off-button, with concealed connections, Quick release: easy seat unit removal and attachment, 14 5/8" x 20 1/4" Inch

610001

*All drawings contain the necessary measurements which are subject to standard tolerances. They are stated in inch & mm and are non-binding. Exact measurements, in particular for customized installation scenarios, can only be taken from the finished ceramic piece.*

**SensoWash® Starck C shower-toilet seat for ME by Starck, Starck 2, Starck 3 and Darling New\* # 610001001001300**

| < 14 5/8" Inch > |



SensoWash® Starck C shower-toilet seat for ME by Starck, Starck 2, Starck 3 and Darling New*	Dimension	Weight	Order number
<p>rear-, front and oscillating wash, individual adjustment of water-, air- and seat surface temperature as well as nozzle position and jet strength, power actuated lid and seat, night light, 2 individually programmable user profiles, remote control included, self-cleaning wand, on / off-button, with concealed connections, Quick release: easy seat unit removal and attachment</p>			
<p><b>Colors</b> 00 White</p>			
<p><b>Variant</b> AC 100-120V, 50-60 Hz</p>	14 5/8" x 20 1/4" Inch	14.1 lb	610001001001300
<p><b>Infobox</b> Install a water water softener with water hardness <math>\geq 2.4</math> mmol/l (<math>\geq 14^\circ</math> dH or <math>24^\circ</math> fH).</p>			
<p><b>Suitable products</b> Toilet wall-mounted for SensoWash® washdown model, only in combination with SensoWash, connecting elements for SensoWash with concealed connections included, Durafix included, cUPC® listed*, 14 5/8" x 24 3/8" Inch</p>	14 5/8" x 24 3/8" Inch		254459
<p>Toilet wall-mounted for SensoWash® washdown model, only in combination with SensoWash, connecting elements for SensoWash with concealed connections included, Durafix included, cUPC® listed*, 14 5/8" x 24 3/8" Inch</p>	14 5/8" x 24 3/8" Inch		222659
<p>Toilet close-coupled for SensoWash® (without tank), washdown model, only in combination with SensoWash, connecting elements for SensoWash with concealed connections included, hardware included, cUPC® listed*, 14 5/8" x 27 3/4" Inch</p>	14 5/8" x 27 3/4" Inch		214159
<p>Toilet close-coupled for SensoWash® (without tank), washdown model, only in combination with SensoWash, connecting elements for SensoWash with concealed connections included, hardware included, cUPC® listed*, 14 3/4" x 28 3/8" Inch</p>	14 3/4" x 28 3/8" Inch		212959

**SensoWash® Starck C shower-toilet seat for ME by Starck, Starck 2, Starck 3 and Darling New\* # 610001001001300**

| < 14 5/8" Inch > |

Toilet wall-mounted for SensoWash® washdown model, only in combination with SensoWash, connecting elements for SensoWash with concealed connections included, Durafix included, cUPC® listed*, 14 1/8" x 24 3/8" Inch	14 1/8" x 24 3/8" Inch	253359
Two-piece toilet for SensoWash® (without tank), only in combination with SensoWash, syphonic, 12" rough-in, connecting elements for SensoWash with concealed connections included, vertical outlet, cUPC® listed*, 1.28 gpf, 14 5/8" x 27 1/2" Inch	14 5/8" x 27 1/2" Inch	212651
One-Piece toilet for SensoWash® only in combination with SensoWash, syphonic, 12" rough-in, with single flush piston valve, top flush, connecting elements for SensoWash with concealed connections included, vertical outlet, cUPC® listed*, 1.28 gpf, 15 3/4" x 28 1/8" Inch	15 3/4" x 28 1/8" Inch	212351
One-Piece toilet for SensoWash® only in combination with SensoWash, syphonic, 12" rough-in, with single flush mechanism, with side lever, 3" flapper valve, connecting elements for SensoWash with concealed connections included, vertical outlet, cUPC® listed*, 1.28 gpf, 14 5/8" x 28 1/8" Inch	14 5/8" x 28 1/8" Inch	212051
Two-piece toilet for SensoWash® (without tank), only in combination with SensoWash, elongated, 12" rough-in, vertical outlet, connecting elements for SensoWash with concealed connections included, cUPC® listed*, 1.28 gpf, 14 5/8" x 27 3/4" Inch	14 5/8" x 27 3/4" Inch	212551
One-Piece toilet for SensoWash® only in combination with SensoWash, syphonic, 12" rough-in, with single flush piston valve, top flush, vertical outlet, connecting elements for SensoWash with concealed connections included, cUPC® listed*, 1.28 gpf, 14 3/4" x 28 1/8" Inch	14 3/4" x 28 1/8" Inch	213351
One-Piece toilet Duravit Rimless for SensoWash® rimless, connecting elements for SensoWash with concealed connections included, syphonic, 12" rough-in, only in combination with SensoWash, vertical outlet, cUPC® listed*, 14 1/8" x 28 3/4" Inch	14 1/8" x 28 3/4" Inch	217351

*All drawings contain the necessary measurements which are subject to standard tolerances. They are stated in inch & mm and are non-binding. Exact measurements, in particular for customized installation scenarios, can only be taken from the finished ceramic piece.*