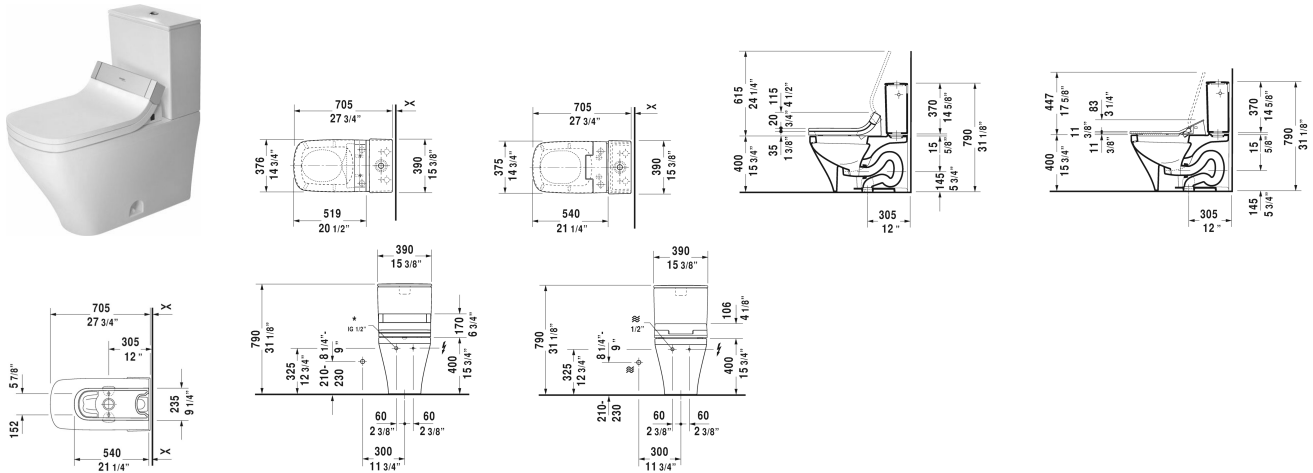


DuraStyle Two-piece toilet for SensoWash® # 216051..00 / 216051..85

| < 14 1/8" Inch > |



Two-piece toilet for SensoWash®	Dimension	Weight	Order number
(without tank), syphonic, only in combination with SensoWash, 12" rough-in, connecting elements for SensoWash with concealed connections included, vertical outlet, cUPC® listed*			
Colors			
00 White 20 HygieneGlaze (an antibacterial ceramic glaze that provides almost indefinite effectiveness)			
Variant			
♣ 1.32/0.92 gpf	14 1/8" x 27 1/2" Inch	92 lb	216051..00
♣ 1.28 gpf	14 1/8" x 27 1/2" Inch	92 lb	216051..85
Sanitary ceramics with the special WonderGliss surface finish will remain clean and attractive-looking for a long time to come. When ordering WonderGliss please add a "1" as eleventh digit to the model number.			
Accessory for ceramics			
Tank for bottom left supply, cUPC® listed*	15 3/8" x 6 3/4" Inch	30 lb	093520
Mounting set for One-Piece and Two-Piece toilets, outlet 3/8" - male thread, wall connection 1/2" - female thread, 1/2", North American version	17 3/4" Inch	1.1 lb	001417
Suitable products			

DuraStyle Two-piece toilet for SensoWash® # 216051..00 / 216051..85

|< 14 1/8" Inch >|

<p>SensoWash® Starck C shower-toilet seat for DuraStyle* rear-, front and oscillating wash, individual adjustment of water-, air- and seat surface temperature as well as nozzle position and jet strength, power actuated lid and seat, night light, 2 individually programmable user profiles, remote control included, self-cleaning wand, on / off-button, with concealed connections, Quick release: easy seat unit removal and attachment, 14 3/4" x 20 1/2" Inch</p>	<p>14 3/4" x 20 1/2" Inch</p>	<p>610200</p>
<p>SensoWash® Slim shower-toilet seat for DuraStyle* rear-, front and oscillating wash, with slow close, night light, remote control included, locking function via remote control, self-cleaning wand, on / off-button, with concealed connections, automatic drainage in periods of prolonged disuse, 14 3/4" x 21 1/4" Inch</p>	<p>14 3/4" x 21 1/4" Inch</p>	<p>611200</p>

All drawings contain the necessary measurements which are subject to standard tolerances. They are stated in inch & mm and are non-binding. Exact measurements, in particular for customized installation scenarios, can only be taken from the finished ceramic piece.