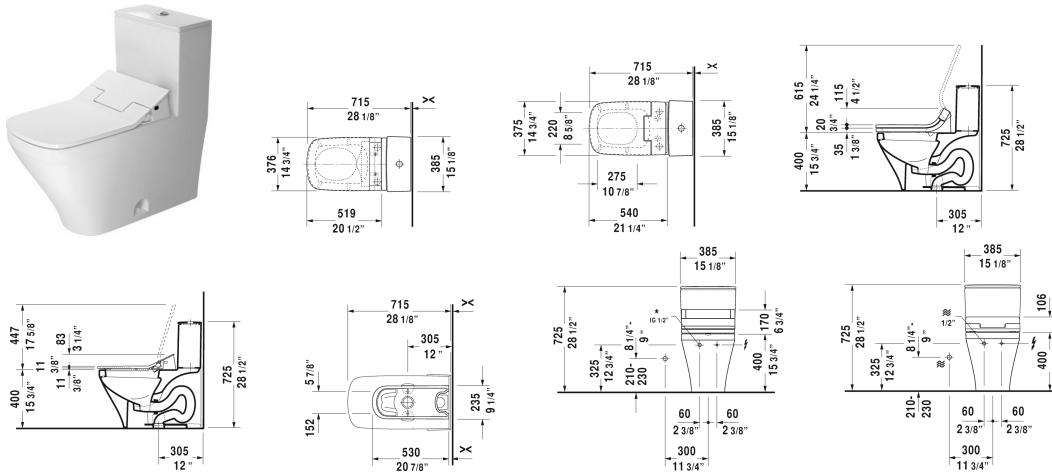


DuraStyle One-Piece toilet for SensoWash® # 215751..05 / 215751..85

| < 14 5/8" Inch > |



One-Piece toilet for SensoWash®	Dimension	Weight	Order number
only in combination with SensoWash, syphonic, 12" rough-in, connecting elements for SensoWash with concealed connections included, vertical outlet, cUPC® listed*			
Colors			
00 White 20 HygieneGlaze (an antibacterial ceramic glaze that provides almost indefinite effectiveness)			
Variant			
◆ 1.32/0.92 gpf, with dual flush piston valve, top flush	14 5/8" x 28 3/8" Inch	121.3 lb	215751..05
◆ 1.28 gpf, with single flush piston valve, top flush	14 5/8" x 28 3/8" Inch	121.3 lb	215751..85
Sanitary ceramics with the special WonderGliss surface finish will remain clean and attractive-looking for a long time to come. When ordering WonderGliss please add a "1" as eleventh digit to the model number.			
Mounting set for One-Piece and Two-Piece toilets, outlet 3/8" - male thread, wall connection 1/2" - female thread, 1/2", North American version	17 3/4" Inch	1.1 lb	001417
Suitable products			
SensoWash® Starck C shower-toilet seat for DuraStyle* rear-, front and oscillating wash, individual adjustment of water-, air- and seat surface temperature as well as nozzle position and jet strength, power actuated lid and seat, night light, 2 individually programmable user profiles, remote control included, self-cleaning wand, on / off-button, with concealed connections, Quick release: easy seat unit removal and attachment, 14 3/4" x 20 1/2" Inch	14 3/4" x 20 1/2" Inch		610200

DuraStyle One-Piece toilet for SensoWash® # 215751..05 / 215751..85

|< 14 5/8" Inch >|

SensoWash® Slim shower-toilet seat for DuraStyle* rear-, front and oscillating wash, with slow close, night light, remote control included, locking function via remote control, self-cleaning wand, on / off-button, with concealed connections, automatic drainage in periods of prolonged disuse, 14 3/4" x 21 1/4" Inch

14 3/4" x 21 1/4" Inch

611200

All drawings contain the necessary measurements which are subject to standard tolerances. They are stated in inch & mm and are non-binding. Exact measurements, in particular for customized installation scenarios, can only be taken from the finished ceramic piece.