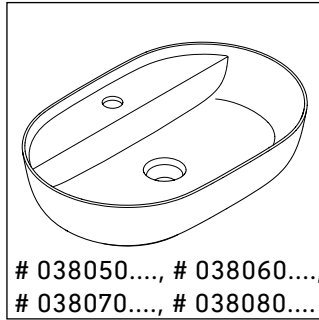
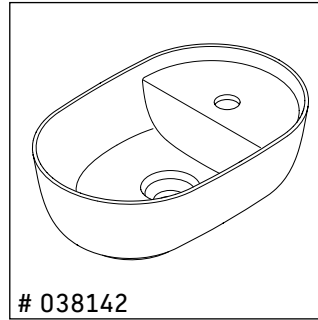


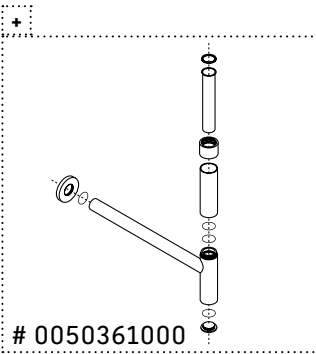
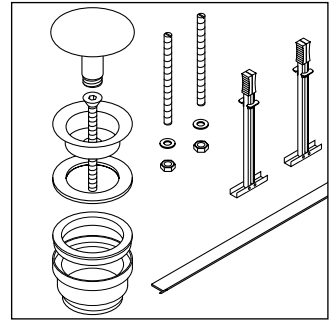
037950..., # 037960...,
037970..., # 037980...



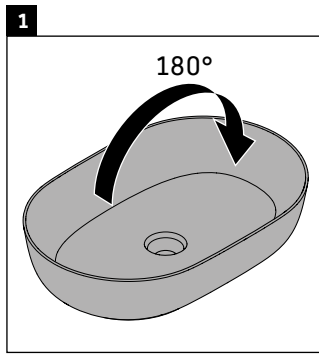
038050..., # 038060...,
038070..., # 038080...



038142

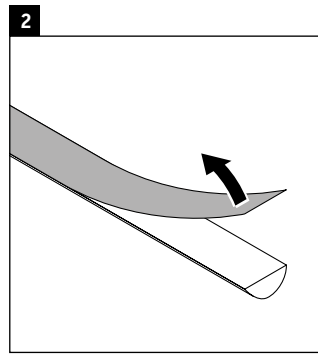


0050361000

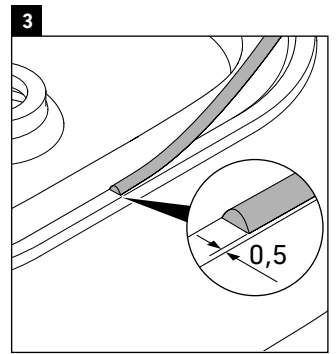


1

180°

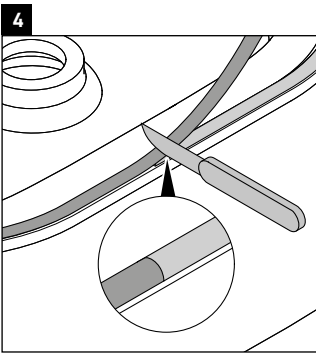


2

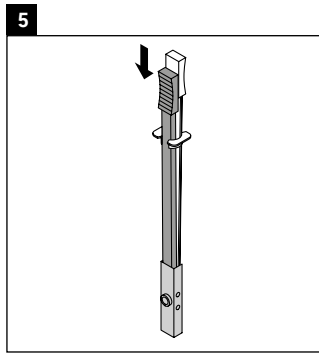


3

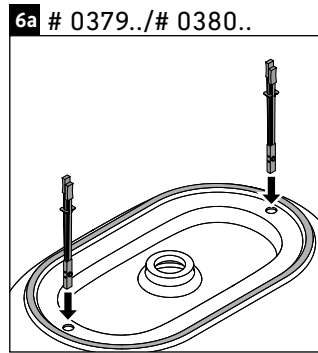
0,5



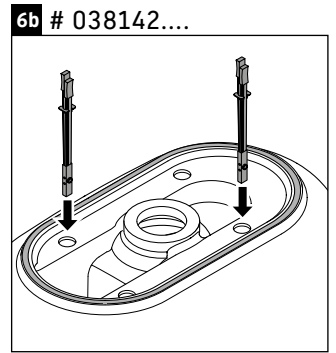
4



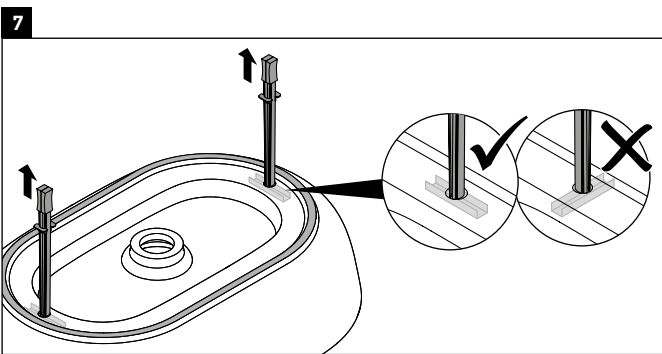
5



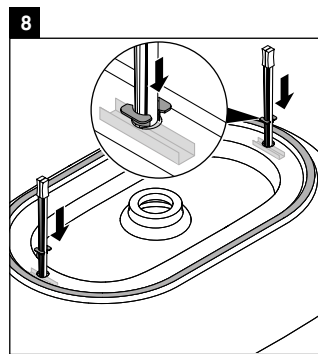
6a # 0379../# 0380..



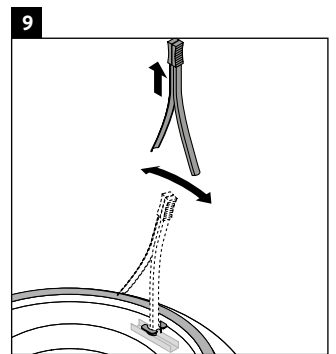
6b # 038142....



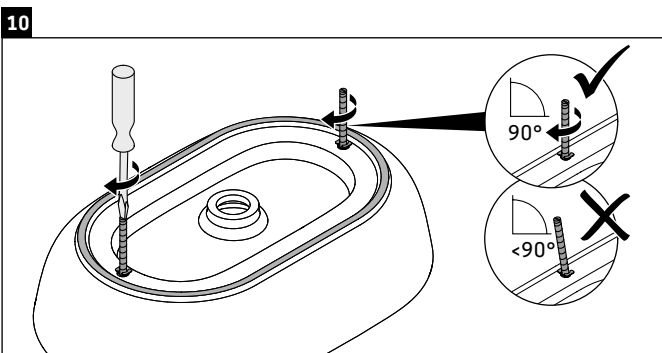
7



8



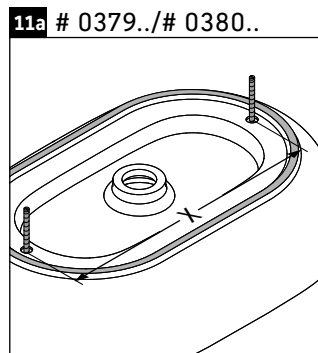
9



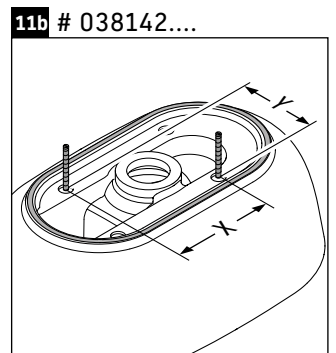
10

90°

<90°



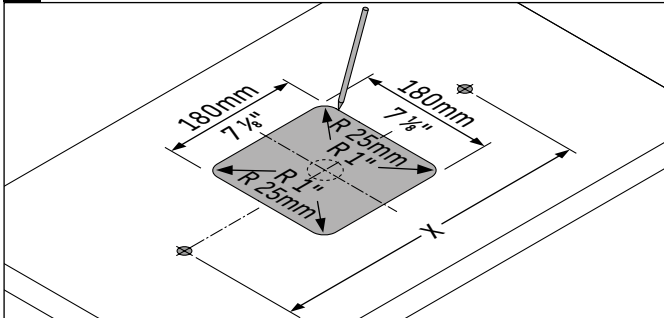
11a # 0379../# 0380..



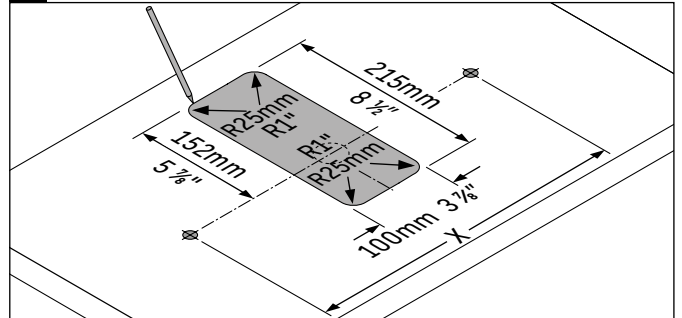
11b # 038142....



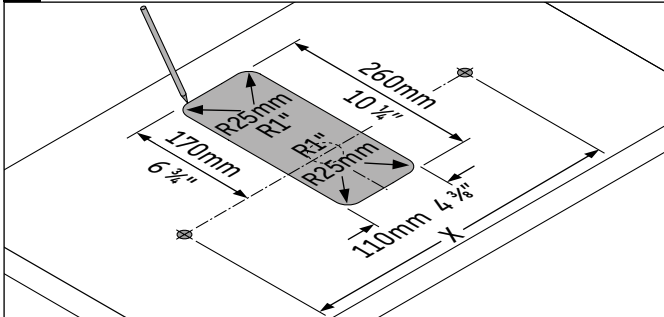
12a # 037950...., # 037960...., # 037970...., # 037980....



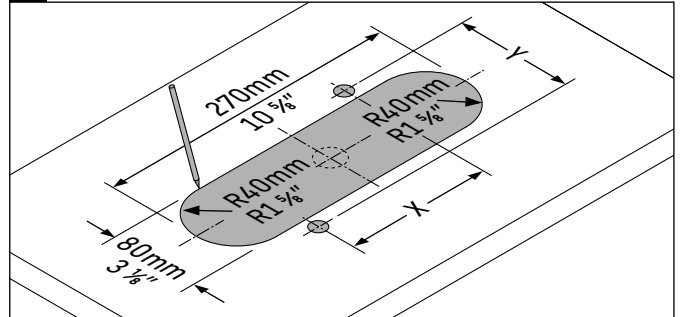
12b # 038050....



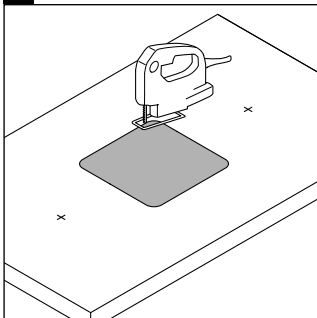
12c # 038060...., # 038070...., # 038080....



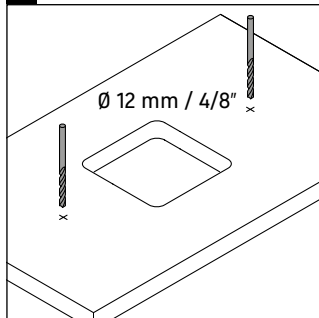
12d # 038142....



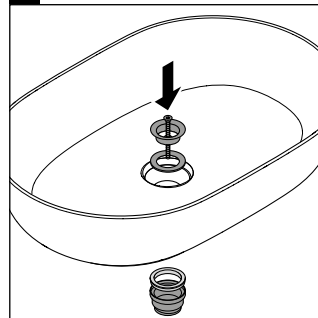
13



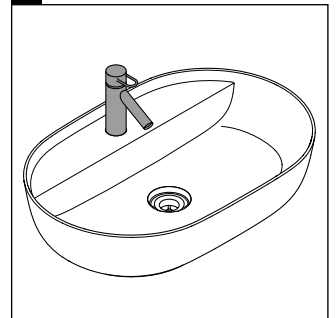
14



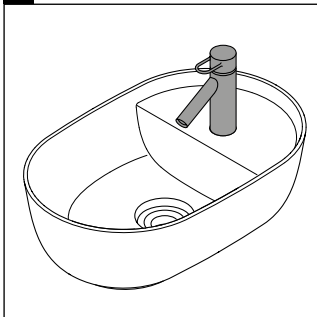
15



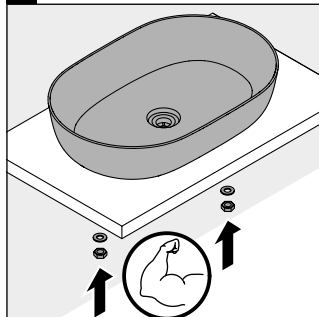
16 # 0380.....



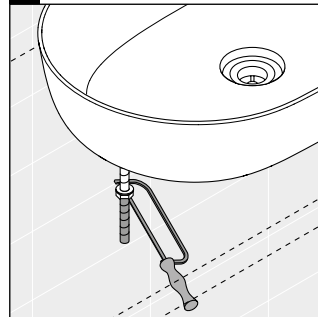
17 # 038142....



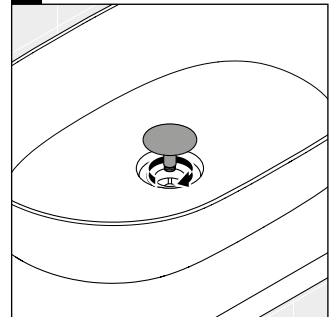
18



19



20



21

