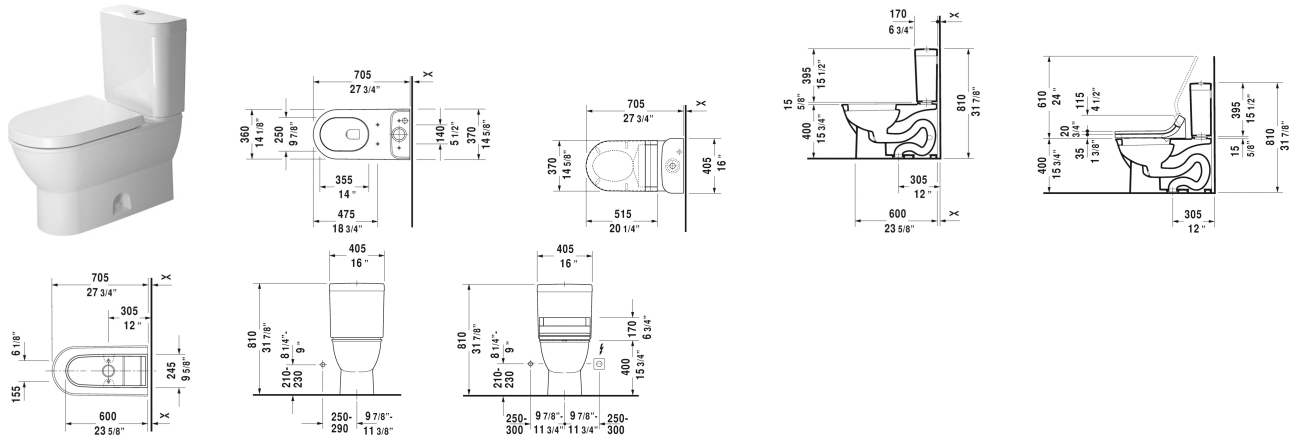


Two-Piece toilet # 2126010000

| < 14 5/8" Inch > |



Two-Piece toilet	Dimension	Weight	Order number
(without cistern), cUPC listed, US-version toilet, suitable for SensoWash Starck, syphonic, 12" rough-in, vertical outlet, 1.28 gpf			
Colors			
00 White			
Variant			
●	14 5/8" x 27 1/2" Inch	78.3 lb	2126010000
Sanitary ceramics with the special WonderGliss surface finish will remain clean and attractive-looking for a long time to come. When ordering WonderGliss please add a "1" as eleventh digit to the model number.			
Cistern with Single Flush piston valve, top flush, bottom left supply, cUPC listed, 1.28 gpf	16" x 6 7/8" Inch	29.8 lb	093120
Toilet seat and cover elongated, hinges stainless steel, without slow close		4.4 lb	006332
Toilet seat and cover elongated, hinges stainless steel, with slow close, removable		4.4 lb	006339
Mounting set for One-piece and Two-piece toilets, 1/2", US-version		1.1 lb	001417
SensoWash Starck shower-toilet seat remote control included, ciAPMO®ELECTRICAL, power actuated lid and seat, rear-, front and oscillating wash, individual adjustment of water-, air- and seat surface temperature as well as nozzle position and jet strength, self-cleaning wand, 2 individually programmable user profiles, night light, Quick release: easy seat unit removal and attachment, on / off-button	14 5/8" x 20 1/4" Inch	12.6 lb	610000

Two-Piece toilet # 2126010000

|< 14 5/8" Inch >|

Suitable products

SensoWash Starck shower-toilet seat remote control included, CIAPMO®ELECTRICAL, power actuated lid and seat, rear-, front and oscillating wash, individual adjustment of water-, air- and seat surface temperature as well as nozzle position and jet strength, self-cleaning wand, 2 individually programmable user profiles, night light, Quick release: easy seat unit removal and attachment, on / off-button, 14 5/8" x 20 1/4" Inch	14 5/8" x 20 1/4" Inch	610000
Toilet seat and cover elongated, hinges stainless steel, without slow close,		006332
Toilet seat and cover elongated, hinges stainless steel, with slow close, removable,		006339
Cistern with Single Flush piston valve, top flush, bottom left supply, cUPC listed, 1.28 gpf, 16" x 6 7/8" Inch	16" x 6 7/8" Inch	093120

All drawings contain the necessary measurements which are subject to standard tolerances. They are stated in inch & mm and are non-binding. Exact measurements, in particular for customized installation scenarios, can only be taken from the finished ceramic piece.