



PROJECT NAME _____

LOCATION _____

ARCHITECT _____

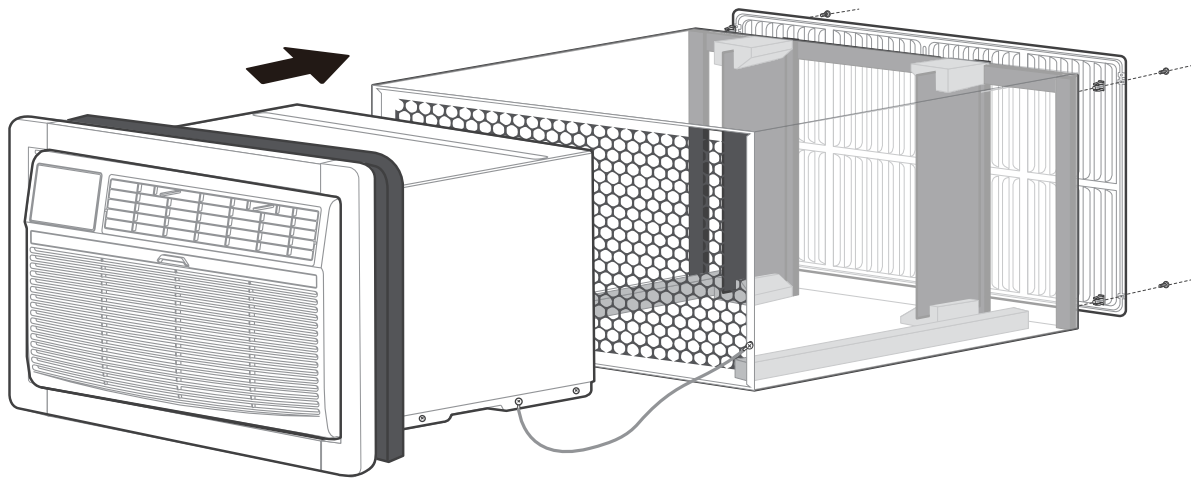
ENGINEER _____

CONTRACTOR _____

REFERENCE _____

SUBMITTED BY _____ DATE _____

THROUGH THE WALL - DRTAC081XNA1, DRTAC101XNA1, DRTAC102XNA1, DRTAC121XNA1, DRTAC122XNA1, DRTAC142XNA1, DRTHC081XNA1, DRTHC102XNA1, DRTHC122XNA1, DRTHC142XNA1, DRWTCSLV



PRODUCT FEATURES

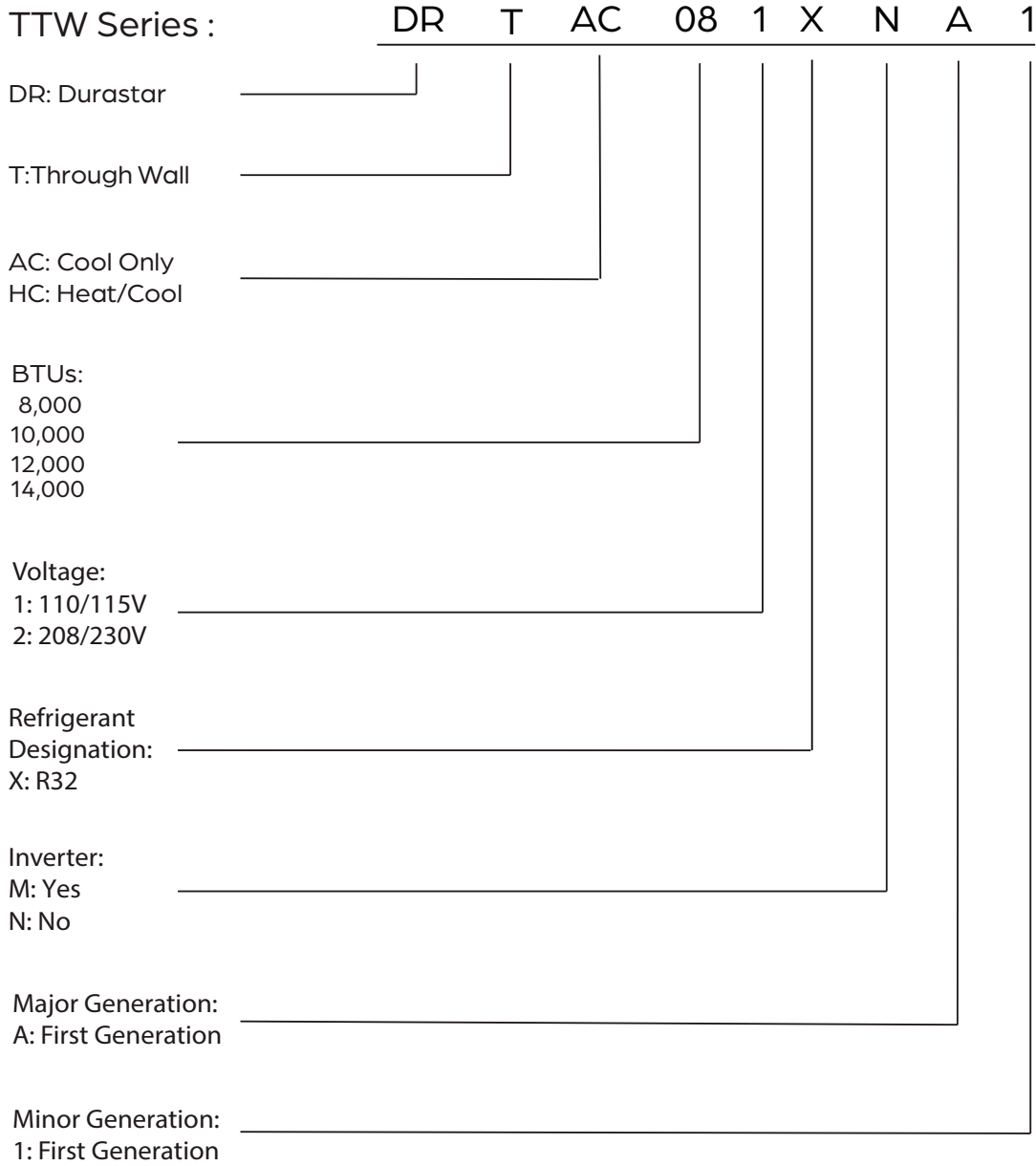
- Washable filters
- Digital display
- Three fan speeds
- 24-Hour timer
- Dehumidifying mode
- Remote control
- Adjustable louvers





DRTAC/DRTHC SKU NOMENCLATURE

Example : DRTAC081XNA1





COOL ONLY MODELS

THROUGH THE WALL SPECIFICATIONS

| PERFORMANCE DATA | DRTAC 081XNA1 | DRTAC 101XNA1 | DRTAC 102XNA1 | DRTAC 121XNA1 | DRTAC 122XNA1 | DRTAC 142XNA1 |
|-----------------------------------|-----------------------------------|-----------------------------------|-----------------------------------|-----------------------------------|-----------------------------------|-----------------------------------|
| Cooling (BTU) | 8,000 | 10,000 | 10,000 | 12,000 | 12,000 | 14,000/ 13,600 |
| Cooling Area (sq ft) | 300-350 | 400-450 | 400-450 | 450-550 | 450-550 | 550-700 |
| CEER (Btu/h/W) | 9.6 | 9.6 | 9.6 | 9.5 | 9.5 | 9.5 |
| ELECTRICAL DATA | | | | | | |
| Power Supply | 110/120V, 1Ph, 60 HZ | 110/120V, 1Ph, 60 HZ | 208/230V, 1Ph, 60HZ | 110/120V, 1Ph, 60 HZ | 208/230V, 1Ph, 60HZ | 208/230V, 1Ph, 60HZ |
| Cooling (Amps) | 7.08 | 8.69 | 4.59/ 4.9 | 11.04 | 5.22/ 5.57 | 7.0/ 7.7 |
| Cooling (Watts) | 810 | 970 | 1010 | 1220 | 1180 | 1400/ 1360 |
| SPECIFICATIONS | | | | | | |
| Net Weight (lb.) | 63.0 | 67.2 | 66.4 | 73.0 | 73.2 | 75.4 |
| Shipping Weight (lb.) | 75.3 | 79.4 | 78.6 | 85.1 | 85.1 | 87.7 |
| Dimensions (in.) | 24-1/4" x 20-1/4" x 14-1/2" | 24-1/4" x 20-1/4" x 14-1/2" | 24-1/4" x 20-1/4" x 14-1/2" | 24-1/4" x 20-1/4" x 14-1/2" | 24-1/4" x 20-1/4" x 14-1/2" | 24-1/4" x 20-1/4" x 14-1/2" |
| Fan Speeds | 3 | 3 | 3 | 3 | 3 | 3 |
| Refrigerant | R-32 | R-32 | R-32 | R-32 | R-32 | R-32 |
| Refrigerant Charge (R-32) (oz.) | 11.30 | 18.00 | 15.90 | 17.60 | 18.00 | 18.00 |
| Indoor Air Flow (Hi/Med/Lo) (CFM) | 267/231/200 | 251/219/182 | 275/240/209 | 286/264/240 | 278/258/235 | 296/275/253 |
| Indoor Noise Level (Hi/Lo) dB(A) | 56.0/49.5 | 56.0/50.2 | 59.5/55.7 | 59.0/55.3 | 60.2/57.5 | 60.5/58.0 |
| Dehumidification (Pints/hr.) | 1.6 | 2.5 | 2.7 | 3.5 | 3.6 | 4.4 |



HEAT COOL MODELS

THROUGH THE WALL SPECIFICATIONS

Please note: units with a heater function provide supplemental heat only


| PERFORMANCE DATA | DRTHC 081XNA1 | DRTHC 102XNA1 | DRTHC 122XNA1 | DRTHC 142XNA1 |
|-----------------------------------|-----------------------------|-----------------------------|-----------------------------|-----------------------------|
| Cooling (BTU) | 8,000 | 10,000/9,800 | 12,000/11,700 | 14,000/13,600 |
| Electric Heating (BTU/h) | 4,200 | 10,600/8,600 | 10,600/8,600 | 10,600/8,600 |
| Cooling Area (sq ft) | 300 - 350 | 400 - 450 | 450 - 550 | 550 - 700 |
| CEER (Btu/h/W) | 9.6 | 9.6 | 9.5 | 9.5 |
| ELECTRICAL DATA | | | | |
| Power Supply | 110/120V, 1Ph, 60 HZ | 208/230V, 1Ph, 60HZ | 208/230V, 1Ph, 60HZ | 208/230V, 1Ph, 60HZ |
| Cooling (Amps) | 9.4 | 5.4/6.0 | 6.5/7.0 | 7.9/8.5 |
| Cooling (Watts) | 750 | 1000/980 | 1180/1160 | 1430/1400 |
| Electric Heater (Amps) | 11.0 | 15.0/14.0 | 15.0/13.5 | 15.0/14.0 |
| Electric Heater (Watts) | 1220 | 3450/2821 | 3450/2821 | 3450/2821 |
| SPECIFICATIONS | | | | |
| Net Weight (lb.) | 67 | 68 | 75 | 77 |
| Shipping Weight (lb.) | 77 | 78 | 86 | 88 |
| Dimensions (in.) | 24-1/4" x 20-1/4" x 14-1/2" | 24-1/4" x 20-1/4" x 14-1/2" | 24-1/4" x 20-1/4" x 14-1/2" | 24-1/4" x 20-1/4" x 14-1/2" |
| Fan Speeds | 3 | 3 | 3 | 3 |
| Refrigerant | R-32 | R-32 | R-32 | R-32 |
| Refrigerant Charge (R-32) (oz.) | 11.30 | 18.00 | 15.90 | 17.60 |
| Refrigerant Charge (R-32) (oz.) | 12.00 | 14.30 | 17.28 | 19.40 |
| Indoor Air Flow (Hi/Med/Lo) (CFM) | 270/235/202 | 293/275/253 | 286/264/240 | 282/262/235 |
| Indoor Noise Level (Hi/Lo) dB(A) | 59/52 | 62/58 | 62/58 | 62/60 |

Specifications are subject to change without notice.
© 2024 Ferguson Enterprises LLC
www.durastar.com

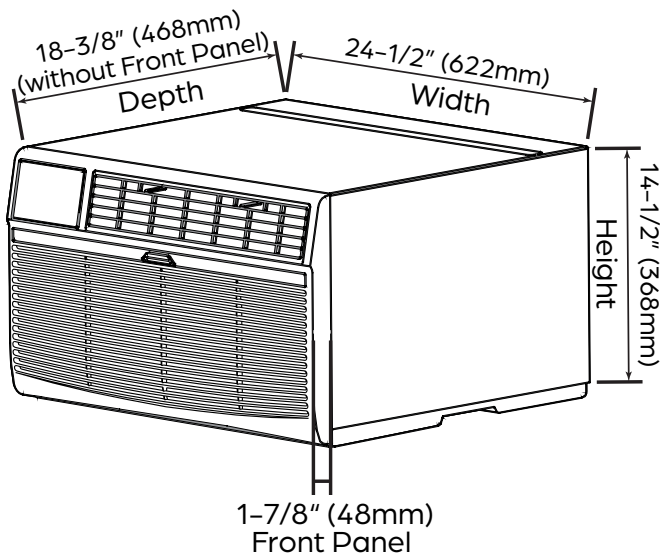


| PERFORMANCE DATA | DRTHC 081XNA1 | DRTHC 102XNA1 | DRTHC 122XNA1 | DRTHC 142XNA1 |
|---------------------------------|---------------|---------------|---------------|---------------|
| SPECIFICATIONS | | | | |
| Dehumidification (Pints/hr.) | 1.5 | 2.4 | 3.3 | 4.4 |
| Plug Type | LCDI(5-15P) | LCDI(6-20P) | LCDI(6-20P) | LCDI(6-20P) |

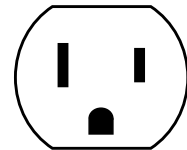
ACCESSORIES

| ACCESSORY | MODEL NUMBER | IMAGE |
|--|--------------|--|
| Foldable Wall Sleeve (External Drain Kit Included) | DRWTCSLV |  |
| Wall Sleeve Dimensions 25-1/2" x 17-1/2" x 15-1/4" | | |

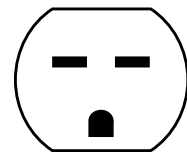
AIR CONDITIONER DIMENSIONS



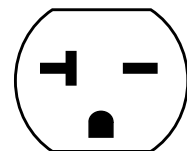
PLUG TYPES



NEMA 5-15P



NEMA 6-15P



NEMA 6-20P