



**SIRIUS HEAT™**

# 55,000 BTU/H SIRIUS HEAT MULTI-ZONE HEAT PUMP

SUBMITTAL COVER SHEET

PROJECT NAME \_\_\_\_\_

LOCATION \_\_\_\_\_

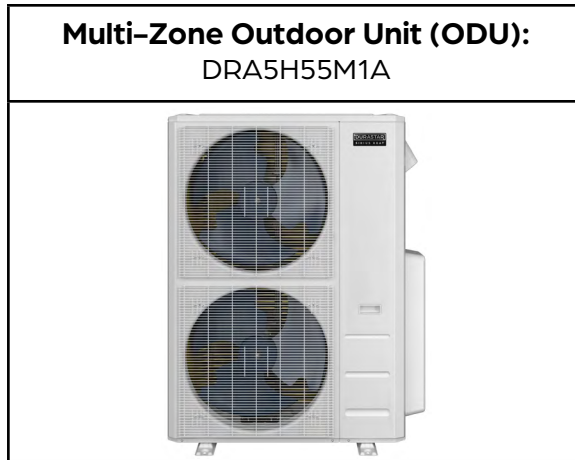
ARCHITECT \_\_\_\_\_

ENGINEER \_\_\_\_\_

CONTRACTOR \_\_\_\_\_

REFERENCE \_\_\_\_\_

SUBMITTED BY \_\_\_\_\_ DATE \_\_\_\_\_



**PRODUCT FEATURES**

- High heating capacity at 0°F
- Variable speed inverter compressor
- Low ambient heating down to -22°F
- Low ambient cooling down to 5°F
- Quiet operation
- Included base pan heater
- Auto restart
- Anti-corrosive coil coating
- Port adaptors included

| SYSTEM DATA              |                    |
|--------------------------|--------------------|
| Refrigerant Type         | R-410A             |
| Refrigerant Charge (oz.) | 162.26             |
| Design Pressure (PSIG)   | 550/340            |
| Outdoor Coil Coating     | Golden Fin Coating |

| CAPACITIES                        |                     | DUCTLESS | MIXED | DUCTED |
|-----------------------------------|---------------------|----------|-------|--------|
| Cooling<br>(BTU/hr)               | Rated <sup>1</sup>  | 55000    | 55000 | 55000  |
|                                   | at 5°F <sup>3</sup> | 43410    | 40660 | 37910  |
|                                   | Minimum             | 11600    | 15500 | 19400  |
|                                   | Maximum             | 56900    | 57000 | 57100  |
| Heating<br>(BTU/hr)               | Rated <sup>2</sup>  | 55000    | 55000 | 55000  |
|                                   | at 5°F <sup>4</sup> | 45500    | 45750 | 46000  |
|                                   | Minimum             | 33000    | 48500 | 15500  |
|                                   | Maximum             | 63000    | 62300 | 61600  |
| Nominal ODU Capacity <sup>5</sup> |                     | 55000    |       |        |

| EFFICIENCY DATA | DUCTLESS | MIXED | DUCTED |
|-----------------|----------|-------|--------|
| SEER2           | 20.00    | 19.40 | 18.80  |
| EER2            | 10.50    | 10.50 | 10.50  |
| HSPF2           | 9.50     | 9.40  | 9.30   |
| SEER            | 19.00    | 19.00 | 19.00  |
| EER             | 10.50    | 10.50 | 10.50  |
| HSPF            | 10.80    | 10.90 | 11.00  |
| COP at 47°F     | 3.20     | 3.20  | 3.20   |
| COP at 5°F      | 1.80     | 1.85  | 1.90   |



Specifications are subject to change without notice.  
 © 2023 Ferguson Enterprises LLC  
 www.durastar.com



# 55,000 BTU/H SIRIUS HEAT MULTI-ZONE HEAT PUMP

SPECIFICATIONS - DRA5H55M1A

## SIRIUS HEAT™

| LINE SET REQUIREMENTS                                 |  |
|---|--|
| Connection Type                                       | Flare  |
| Liquid  | 5 x Ø1/4" (Ø6.35mm)  |
| Gas   | 3 x Ø3/8" (Ø9.52mm)<br>2 x Ø1/2" (Ø12.7mm)                                   |
| Refrigeration Adaptors Included                       | 3 x 3/8" -- 1/2"<br>2 x 1/2" -- 3/8"<br>2 x 1/4" -- 3/8"<br>2 x 1/2" -- 5/8" |
| Minimum Indoor Units Connected                        | 2  |
| Pre-Charge Length                                     | 123'   |
| Maximum Length (combined IDUs)                        | 263'   |
| Maximum Length (per IDU)                              | 115'   |
| Minimum Length (per IDU)                              | 10'  |
| Max. Height Differential between IDU and ODU          | 49'  |
| Max. Height Differential between IDUs                 | 33'  |
| Additional Refrigerant for Ø1/4" Liquid Pipe (oz./ft) | 0.161  |
| Additional Refrigerant for Ø3/8" Liquid Pipe (oz./ft) | 0.322  |

| ELECTRICAL DATA                             | DUCTLESS                |                          | DUCTED |  |
|---|-------------------------|--------------------------|--------|--|
|   | Voltage/Phase/Frequency | 208-230V, 1 Phase, 60 Hz |        |  |
| Voltage Range                               | 187-253V                |                          |        |  |
| Recommended Breaker (Amps)                  | 60                      |                          |        |  |
| Minimum Circuit Ampacity (Amps)             | 40                      |                          |        |  |
| Communication Wire Size                     | 14*4 AWG Stranded       |                          |        |  |
| Rated Current - Cooling (Amps) <sup>1</sup> | 23.5                    |                          | 23.5   |  |
| Rated Current - Heating (Amps) <sup>2</sup> | 22.5                    |                          | 22.5   |  |

<sup>1</sup> AHRI Rated at 95°F (A Full).

<sup>2</sup> AHRI Rated at 47°F (H1 Full).

<sup>3</sup> Sensible Capacity: Indoor 80°F DB, 67°F WB // Outdoor 5°F DB, 4°F WB

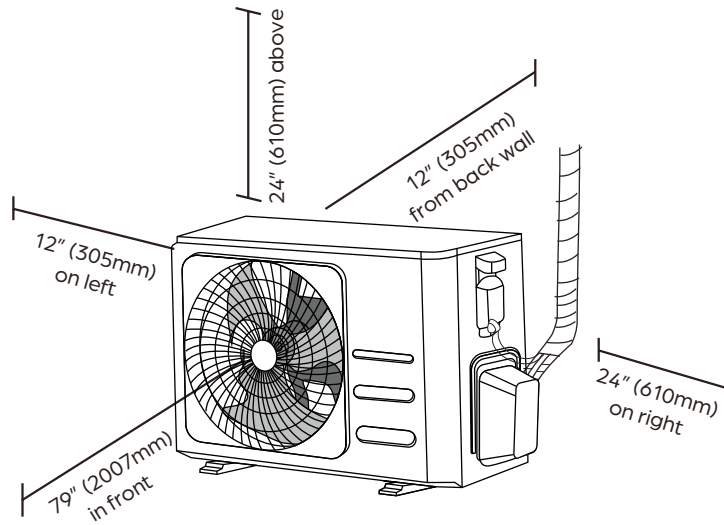
<sup>4</sup> AHRI Rated Capacity at 5°F (H42)

<sup>5</sup> If the total indoor unit load exceeds the nominal capacity of the outdoor unit, the practical output capacity of each indoor unit will be correspondingly reduced. This situation is very evident during heating mode.

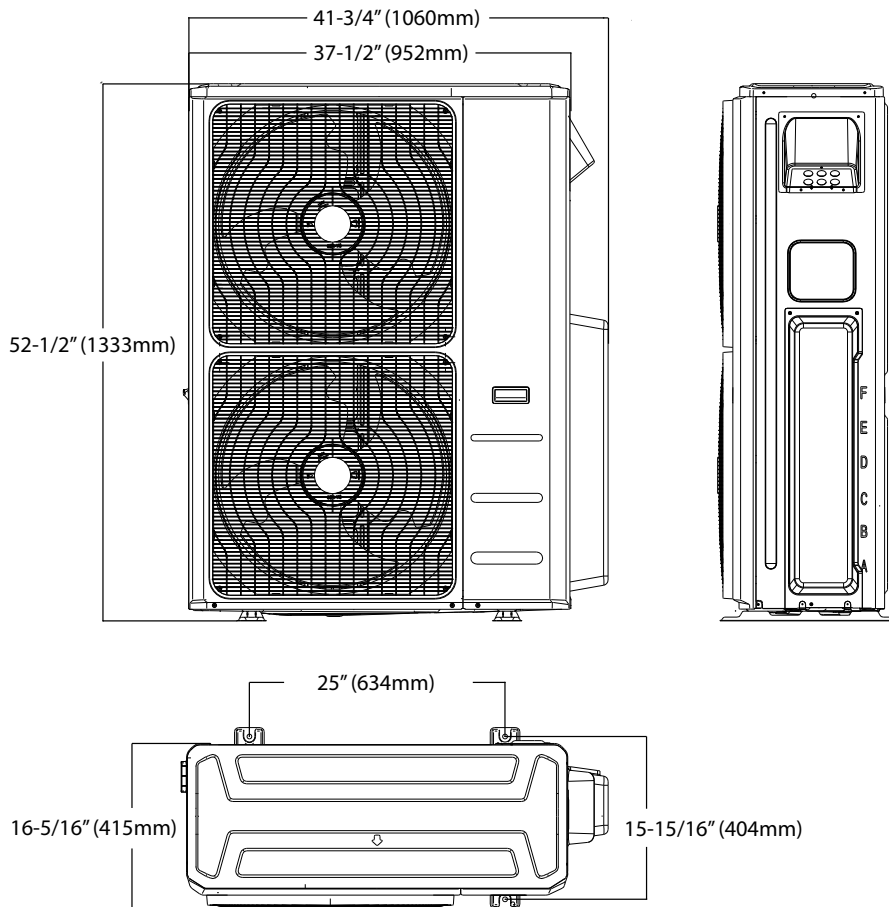
| OUTDOOR UNIT DATA             |              |          |
|-------------------------------|--------------|----------|
| Unit Dimensions               | Width        | 37-1/2"  |
|                               | Depth        | 16-5/16" |
|                               | Height       | 52-1/2"  |
| Carton Dimensions             | Width        | 43-1/8"  |
|                               | Depth        | 19-1/2"  |
|                               | Height       | 58-1/4"  |
| Net Weight                    | 233 lbs.     |          |
| Gross Weight                  | 266 lbs.     |          |
| Cooling Operating Temperature | 5°F - 122°F  |          |
| Heating Operating Temperature | -22°F - 75°F |          |
| Airflow (CFM)                 | 4500         |          |
| Sound Pressure (dB(A))        | 61           |          |
| Fan Speed (r/min)             | Low          | 750      |
|                               | Medium       | 800      |
|                               | Medium       | 850      |
|                               | High         | 900      |
| Fan Motor Current Type        | DC           |          |

| COMPRESSOR       |                                  |
|------------------|----------------------------------|
| Type             | DC Inverter Twin Cylinder Rotary |
| Oil Type         | VG74                             |
| Oil Charge (oz.) | 49 (1460mL)                      |

**Clearances**



**Dimensions**



**NOTE**

- Illustrations in this document are for explanatory purposes. The actual shape of your mini-split equipment may vary slightly.



# 12,000 BTU/H CEILING CASSETTE

SUBMITTAL COVER SHEET

PROJECT NAME \_\_\_\_\_

LOCATION \_\_\_\_\_




ARCHITECT \_\_\_\_\_

ENGINEER \_\_\_\_\_

CONTRACTOR \_\_\_\_\_

REFERENCE \_\_\_\_\_

SUBMITTED BY \_\_\_\_\_ DATE \_\_\_\_\_

| Indoor Unit (IDU):<br>DRAC12F1A   | Panel:<br>DRACPANA1A*   | Wireless Remote Control   |
|---|---|---|
|  |  |  |

| CAPACITIES                |       |       |
|---------------------------|-------|-------|
| Cooling Capacity (BTU/hr) | Rated | 12000 |
| Heating Capacity (BTU/hr) | Rated | 12000 |

| ELECTRICAL DATA         |                          |
|-------------------------|--------------------------|
| Voltage/Phase/Frequency | 208-230V, 1 Phase, 60 Hz |

| LINE SET REQUIREMENTS             |                 |
|-----------------------------------|-----------------|
| Connection Type                   | Flare           |
| Liquid                            | Ø1/4" (Ø6.35mm) |
| Gas                               | Ø1/2" (Ø12.7mm) |
| Drain Port O.D. / Drain Hose I.D. | Ø1" (Ø25mm)     |

| INDOOR UNIT FAN DATA   |        |     |
|------------------------|--------|-----|
| Air Flow (CFM)         | Low    | 261 |
|                        | Medium | 309 |
|                        | High   | 379 |
| Type                   | DC     |     |
| RLA                    | 0.465  |     |
| Sound Pressure (dB(A)) | Low    | 36  |
|                        | Medium | 39  |
|                        | High   | 43  |

| INDOOR UNIT DIMENSIONS |           |          |
|------------------------|-----------|----------|
| Unit Dimensions        | Width     | 22 7/16" |
|                        | Depth     | 22 7/16" |
|                        | Height    | 10 1/4"  |
| Carton Dimensions      | Width     | 26 1/16" |
|                        | Depth     | 26 1/16" |
|                        | Height    | 12 1/2"  |
| Net Weight             | 35.3 lbs. |          |
| Gross Weight           | 45.5 lbs. |          |

### PRODUCT FEATURES

- Wireless Remote Control with "Follow Me" Technology
- Auto Restart
- Auto Changeover
- 24-hour Timer
- Self Clean Function

\*Panel sold separately

Specifications are subject to change without notice.

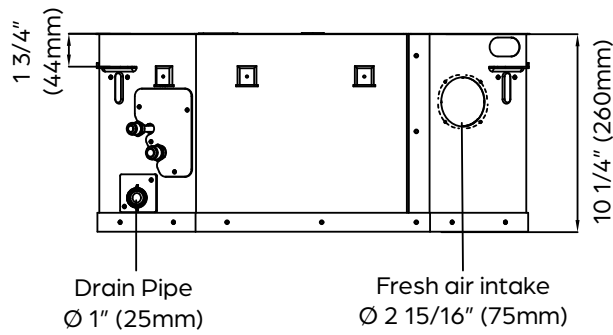
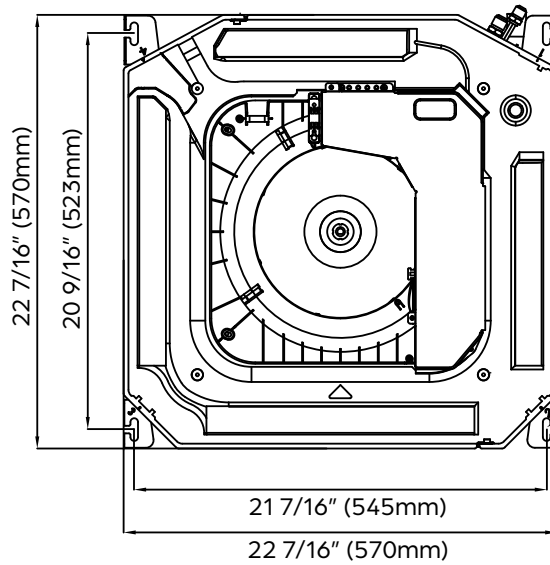
© 2021 Ferguson Enterprises LLC  
www.durastar.com



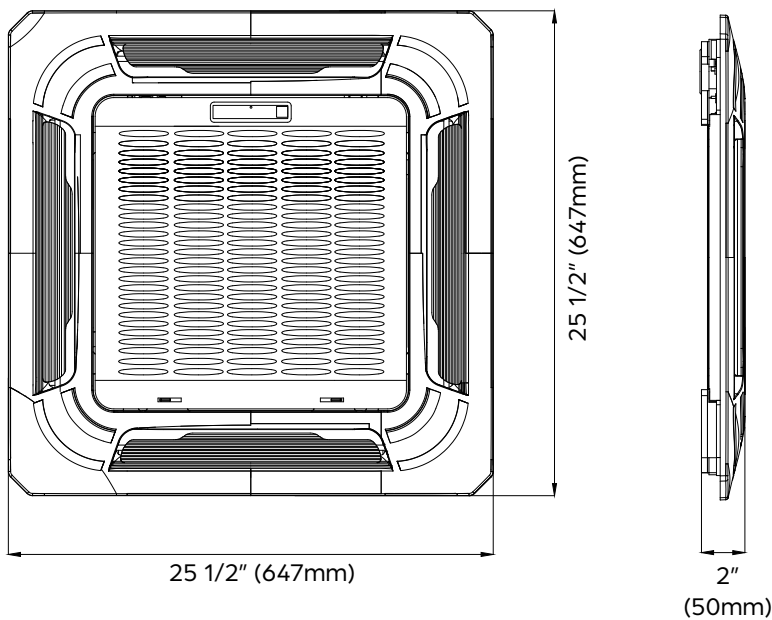


# 12,000 BTU/H CEILING CASSETTE

DIMENSIONS - DRAC12F1A



## DRACPANA1A:





# 18,000 BTU/H CEILING CASSETTE

SUBMITTAL COVER SHEET

PROJECT NAME \_\_\_\_\_

LOCATION \_\_\_\_\_

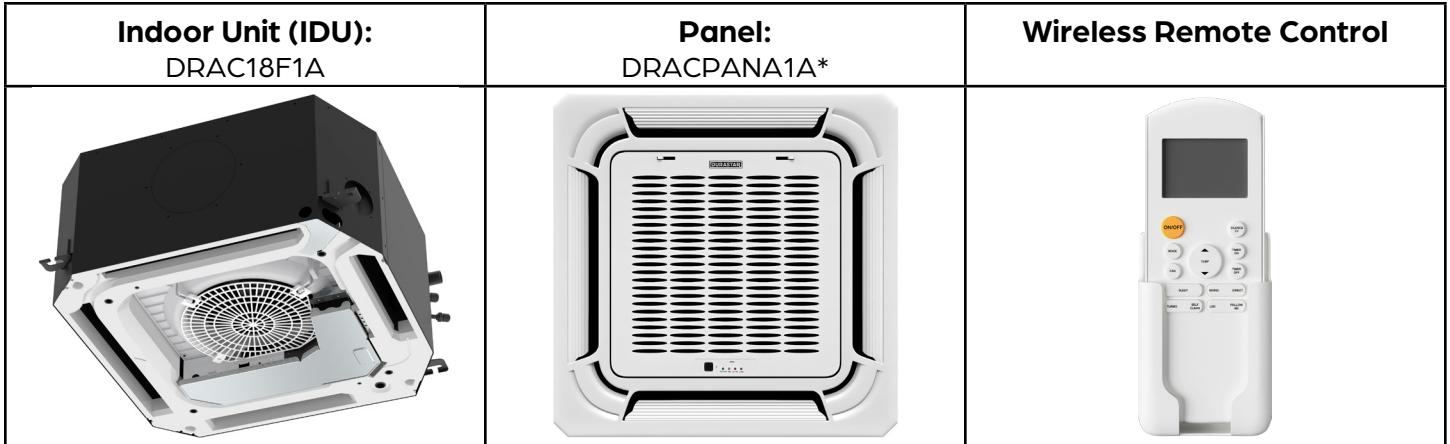
ARCHITECT \_\_\_\_\_

ENGINEER \_\_\_\_\_

CONTRACTOR \_\_\_\_\_

REFERENCE \_\_\_\_\_

SUBMITTED BY \_\_\_\_\_ DATE \_\_\_\_\_



| CAPACITIES                |       |       |
|---------------------------|-------|-------|
| Cooling Capacity (BTU/hr) | Rated | 18000 |
| Heating Capacity (BTU/hr) | Rated | 18000 |

| ELECTRICAL DATA         |                          |
|-------------------------|--------------------------|
| Voltage/Phase/Frequency | 208-230V, 1 Phase, 60 Hz |

| LINE SET REQUIREMENTS             |                 |
|-----------------------------------|-----------------|
| Connection Type                   | Flare           |
| Liquid                            | Ø1/4" (Ø6.35mm) |
| Gas                               | Ø1/2" (Ø12.7mm) |
| Drain Port O.D. / Drain Hose I.D. | Ø1" (Ø25mm)     |

| INDOOR UNIT FAN DATA   |        |     |
|------------------------|--------|-----|
| Air Flow (CFM)         | Low    | 415 |
|                        | Medium | 483 |
|                        | High   | 560 |
| Type                   | DC     |     |
| RLA                    | 0.465  |     |
| Sound Pressure (dB(A)) | Low    | 36  |
|                        | Medium | 39  |
|                        | High   | 44  |

| INDOOR UNIT DIMENSIONS |           |          |
|------------------------|-----------|----------|
| Unit Dimensions        | Width     | 22 7/16" |
|                        | Depth     | 22 7/16" |
|                        | Height    | 10 1/4"  |
| Carton Dimensions      | Width     | 26 1/16" |
|                        | Depth     | 26 1/16" |
|                        | Height    | 12 1/2"  |
| Net Weight             | 35.7 lbs. |          |
| Gross Weight           | 47.0 lbs. |          |

### PRODUCT FEATURES

- Wireless Remote Control with "Follow Me" Technology
- Auto Restart
- Auto Changeover
- 24-hour Timer
- Self Clean Function

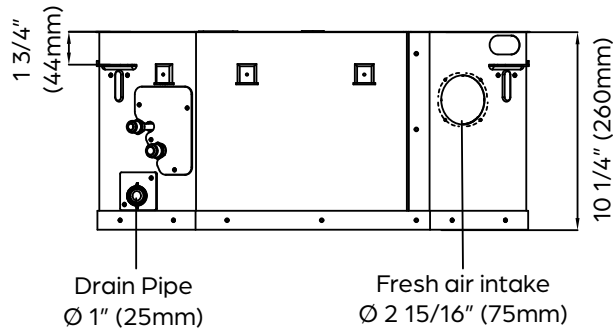
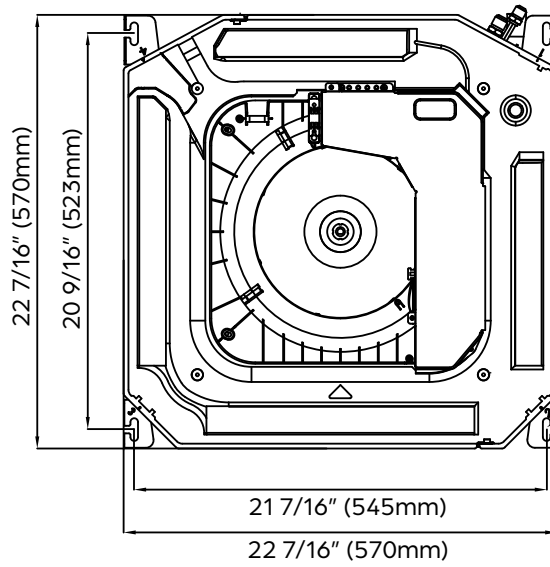
\*Panel sold separately





# 18,000 BTU/H CEILING CASSETTE

DIMENSIONS - DRAC18F1A



## DRACPANA1A:

