



SIRIUS HEAT™

24,000 BTU/H SIRIUS HEAT WALL MOUNTED HEAT PUMP

SUBMITTAL COVER SHEET

PROJECT NAME _____

LOCATION _____



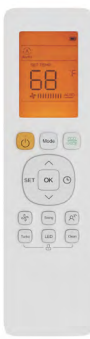
ARCHITECT _____

ENGINEER _____

CONTRACTOR _____

REFERENCE _____

SUBMITTED BY _____ DATE _____

Indoor Unit (IDU): DRAW24F1B	Outdoor Unit (ODU): DRA1H24S1A	Wireless Remote Control
		

PRODUCT FEATURES

- Up to 100% heating capacity at 0°F
- Low ambient heating down to -22°F
- Low ambient cooling down to 5°F
- Wireless Remote Control with "Follow Me" Technology
- Variable Speed Inverter Compressor
- Auto Restart
- Sleep Mode
- Turbo Mode
- Quiet operation
- 46°F Freeze Protection
- Included base pan heater
- Refrigerant leak detection
- Anti-corrosive fin coating

SYSTEM DATA	
Refrigerant Type	R-410A
Refrigerant Charge (oz.)	91.71
Design Pressure (PSIG)	550/340
Indoor/ Outdoor Coil Coating	Golden Fin Coating

EFFICIENCY DATA	
SEER2	22.3
EER2	12.5
HSPF2	10.3
SEER	21.5
EER	12.5
HSPF	11.5
COP at 47°F	3.00
COP at 5°F	1.80

CAPACITIES		
Cooling Capacity (BTU/hr)	Rated at 95°F ¹	23000
	Sensible at 5°F ³	16990
	Minimum	4650
	Maximum	26600
Heating Capacity (BTU/hr)	Rated at 47°F ²	26000
	Rated at 5°F ⁴	23000
	Minimum	9550
	Maximum	27000

Specifications are subject to change without notice.

© 2023 Ferguson Enterprises LLC

www.durastar.com





24,000 BTU/H SIRIUS HEAT WALL MOUNTED HEAT PUMP

SPECIFICATIONS

SIRIUS HEAT™

LINE SET REQUIREMENTS	
Connection Type	Flare
Liquid	Ø3/8" (Ø9.52mm)
Gas	Ø5/8" (Ø16mm)
Pre-Charge Length	25'
Minimum Length	10'
Maximum Length	164'
Maximum Height Differential	82'
Additional Refrigerant (oz./ft)	0.32

OUTDOOR UNIT		
Unit Dimensions	Width	37-1/4"
	Depth	16-1/8"
	Height	31-7/8"
Carton Dimensions	Width	42-15/16"
	Depth	19-11/16"
	Height	36-13/16"
Net Weight	135.5 lbs.	
Gross Weight	144.4 lbs.	
Cooling Operating Temperature	5°F - 122°F	
Heating Operating Temperature	-22°F - 86°F	
Voltage/Phase/Frequency	208-230V, 1 Phase, 60 Hz	
Voltage Range	187-253V	
Recommended Breaker (Amps)	35	
Minimum Circuit Ampacity (Amps)	25	
Communication Wire Size	14*4 AWG Stranded	
Rated Current - Cooling (Amps) ¹	8.3	
Rated Current - Heating (Amps) ²	11.5	
Sound Pressure (dB(A))	62	

INDOOR UNIT		
Unit Dimensions	Width	42-5/8"
	Depth	9-3/16"
	Height	13-1/4"
Carton Dimensions	Width	45-1/2"
	Depth	12-3/8"
	Height	16-5/16"
Net Weight	30.0 lbs.	
Gross Weight	38.1 lbs.	
Indoor Unit Air Flow (CFM)	Low	382
	Medium	459
	High	601
Moisture Removal (Pints/day)	123.25	
Drain Port O.D.	Ø5/8" (Ø16mm)	
Recommended Breaker (Amps)	15	
Sound Pressure (dB(A))	Low	35
	Medium	44
	High	47

COMPRESSOR	
Type	DC Inverter Twin Cylinder Rotary
Oil Type	Ester Oil VG74
Oil Charge (oz.)	21.0 (620 ml)

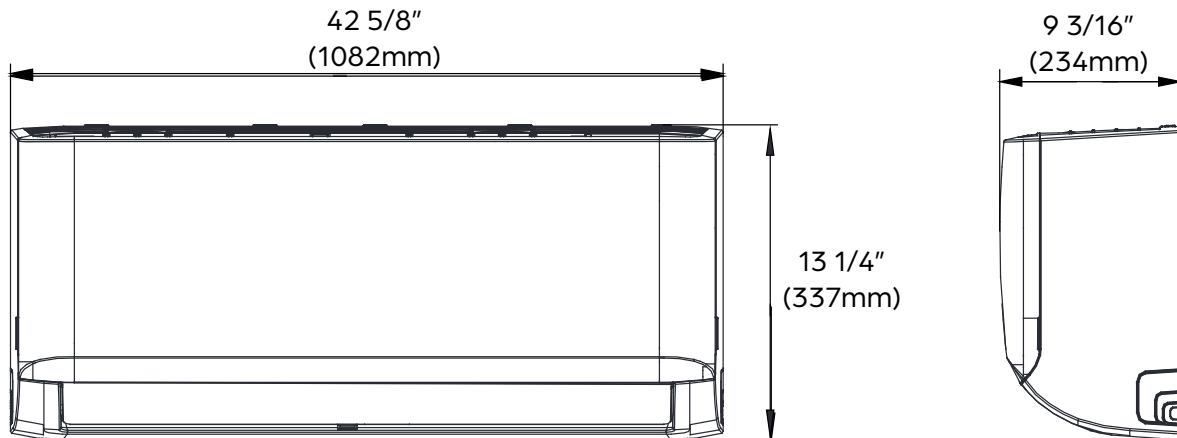
¹ AHRI Rated at 95°F (AFull).

² AHRI Rated at 47°F (H1Full).

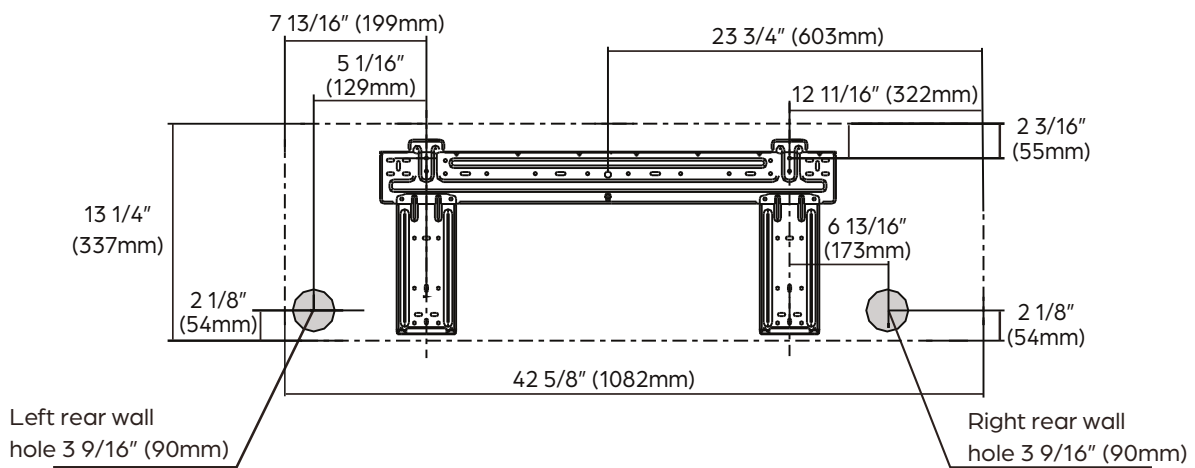
³ Sensible Capacity: Indoor 80°F DB, 67°F WB // Outdoor 5°F DB, 4°F WB

⁴ AHRI Rated Capacity at 5°F (H42)

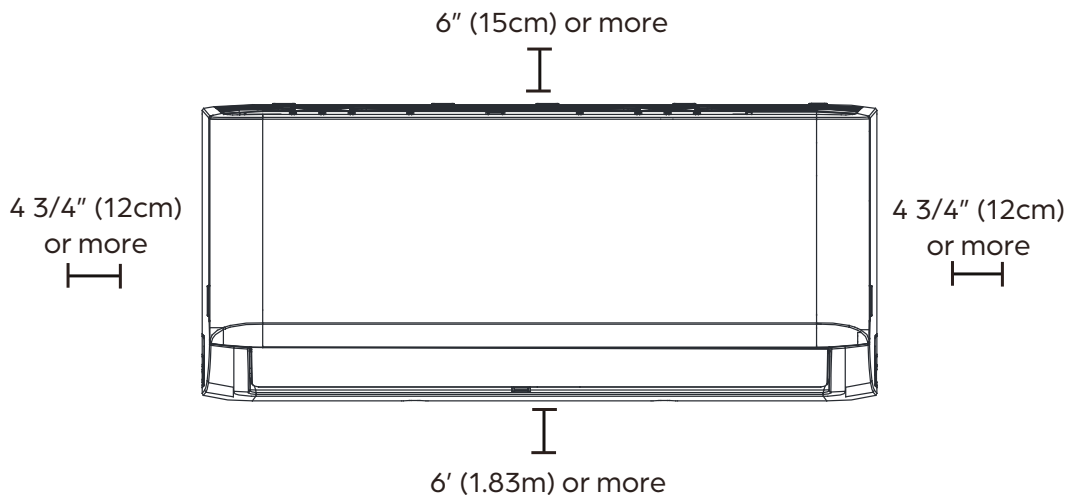
Unit Dimensions



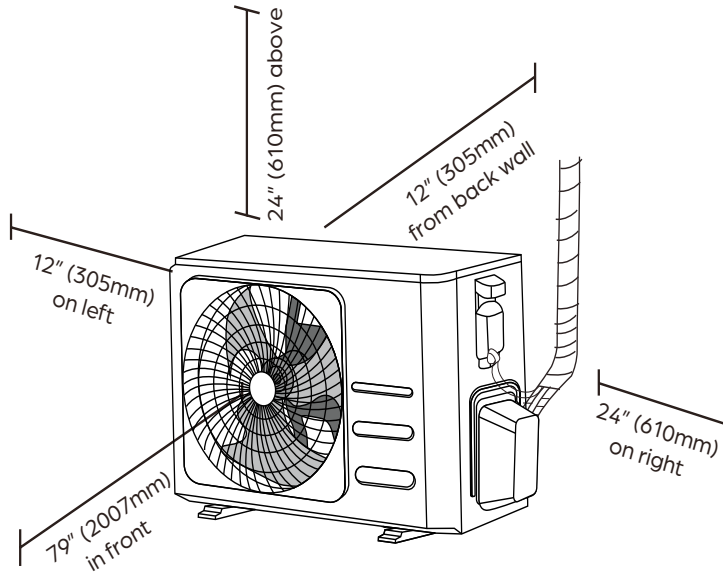
Mounting Plate Dimensions



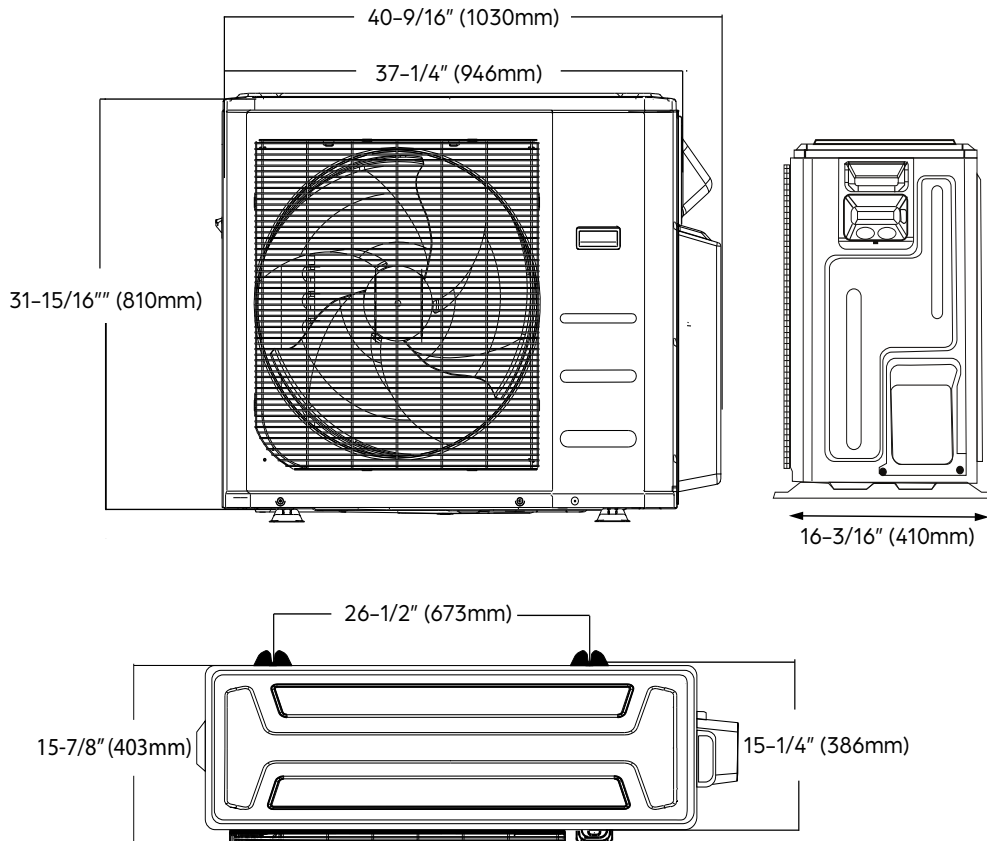
Clearance Distances



Clearances



Dimensions



NOTE

- Illustrations in this document are for explanatory purposes. The actual shape of your mini-split equipment may vary slightly.