



18,000 BTU/H SIRIUS HEAT WALL MOUNTED HEAT PUMP

SUBMITTAL COVER SHEET

SIRIUS HEAT™

PROJECT NAME _____

LOCATION _____


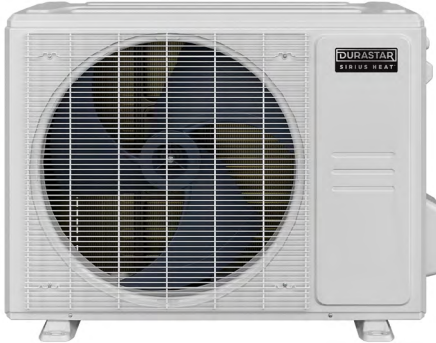
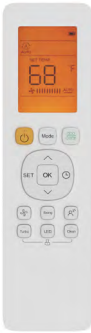
ARCHITECT _____

ENGINEER _____

CONTRACTOR _____

REFERENCE _____

SUBMITTED BY _____ DATE _____

Indoor Unit (IDU): DRAW18F1B	Outdoor Unit (ODU): DRA1H18S1A	Wireless Remote Control
		

PRODUCT FEATURES

- Up to 100% heating capacity at 0°F
- Low ambient heating down to -22°F
- Low ambient cooling down to 5°F
- Wireless Remote Control with "Follow Me" Technology
- Variable Speed Inverter Compressor
- Auto Restart
- Sleep Mode
- Turbo Mode
- Quiet operation
- 46°F Freeze Protection
- Included base pan heater
- Refrigerant leak detection
- Anti-corrosive fin coating

SYSTEM DATA	
Refrigerant Type	R-410A
Refrigerant Charge (oz.)	65.26
Design Pressure (PSIG)	550/340
Indoor/ Outdoor Coil Coating	Golden Fin Coating

EFFICIENCY DATA	
SEER2	22.0
EER2	13.0
HSPF2	10.6
SEER	21.5
EER	13.0
HSPF	11.0
COP at 47 °F	3.35
COP at 5 °F	1.89

CAPACITIES		
Cooling Capacity (BTU/hr)	Rated at 95°F ¹	18000
	Sensible at 5°F ³	14120
	Minimum	8400
	Maximum	20200
Heating Capacity (BTU/hr)	Rated at 47°F ²	18000
	Maximum at 5°F ⁴	17200
	Minimum	12000
	Maximum	23000



Specifications are subject to change without notice.

© 2023 Ferguson Enterprises LLC

www.durastar.com



18,000 BTU/H SIRIUS HEAT WALL MOUNTED HEAT PUMP SPECIFICATIONS

SIRIUS HEAT™

LINE SET REQUIREMENTS	
Connection Type	Flare
Liquid	Ø1/4" (Ø6.35mm)
Gas	Ø1/2" (Ø12.7mm)
Pre-Charge Length	25'
Minimum Length	10'
Maximum Length	98'
Maximum Height Differential	66'
Additional Refrigerant (oz./ft)	0.16

OUTDOOR UNIT		
Unit Dimensions	Width	35-1/16"
	Depth	13-7/16"
	Height	26-1/2"
Carton Dimensions	Width	39-3/16"
	Depth	15-11/16"
	Height	32-11/16"
Net Weight	101 lbs.	
Gross Weight	108 lbs.	
Cooling Operating Temperature	5°F - 122°F	
Heating Operating Temperature	-22°F - 75°F	
Voltage/Phase/Frequency	208-230V, 1 Phase, 60 Hz	
Voltage Range	187-253V	
Recommended Breaker (Amps)	25	
Minimum Circuit Ampacity (Amps)	20	
Communication Wire Size	14*4 AWG Stranded	
Rated Current - Cooling (Amps) ¹	8.9	
Rated Current - Heating (Amps) ²	9.2	
Sound Pressure (dB(A))	59	

INDOOR UNIT		
Unit Dimensions	Width	42-5/8"
	Depth	9-5/8"
	Height	13-1/4"
Carton Dimensions	Width	45-1/2"
	Depth	12-3/8"
	Height	16-5/16"
Net Weight	29.5 lbs.	
Gross Weight	37.5 lbs.	
Indoor Unit Air Flow (CFM)	Low	382
	Medium	459
	High	531
Moisture Removal (Pints/day)	68.47	
Drain Port O.D.	Ø5/8" (Ø16mm)	
Recommended Breaker (Amps)	15	
Sound Pressure (dB(A))	Low	25
	Medium	40
	High	46

COMPRESSOR	
Type	DC Rotary Inverter
Oil Type	Ester Oil VG74
Oil Charge (oz.)	21.0 (620ml)

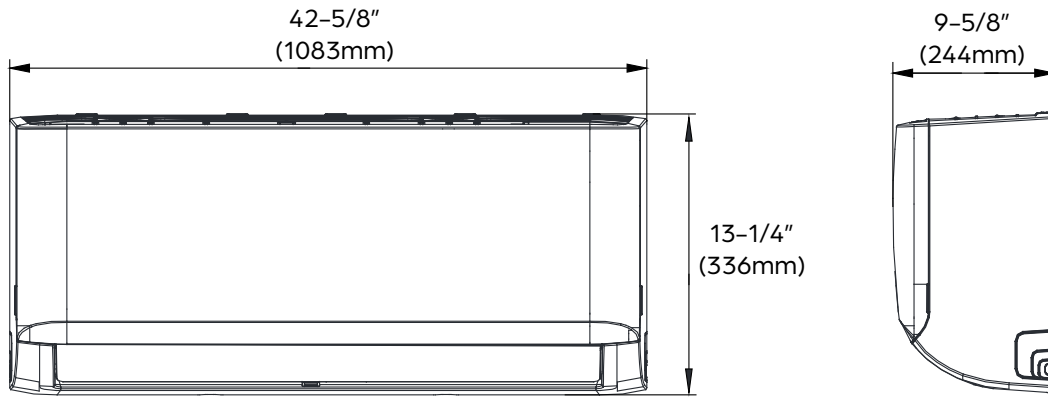
¹ AHRI Rated at 95°F (AFull).

² AHRI Rated at 47°F (H1Full).

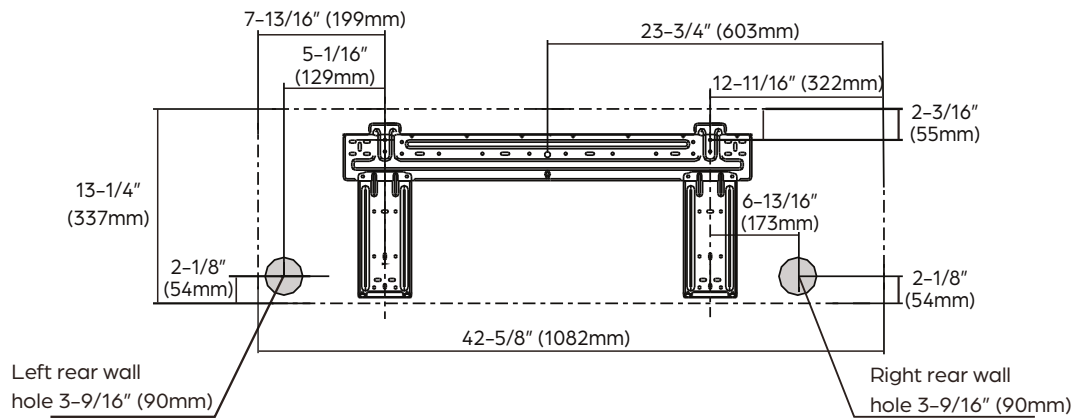
³ Sensible Capacity: Indoor 80°F DB, 67°F WB // Outdoor 5°F DB, 4°F WB

⁴ AHRI Rated Capacity at 5°F (H42)

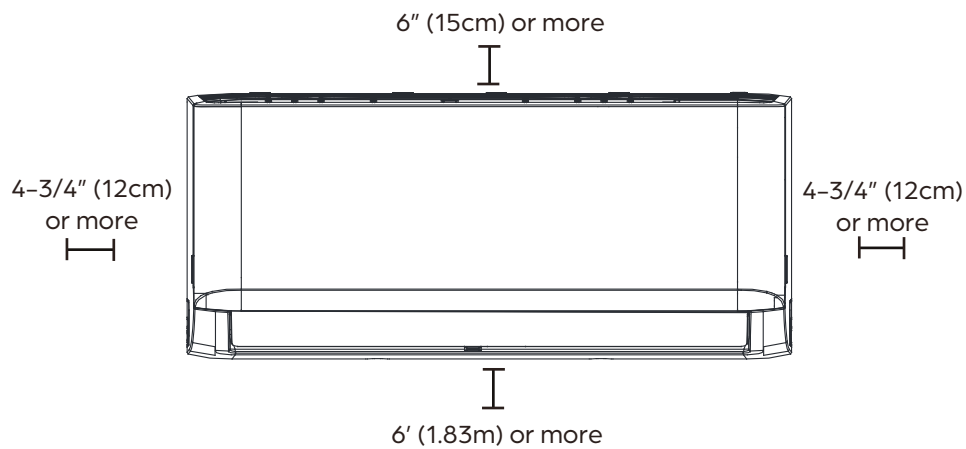
Unit Dimensions



Mounting Plate Dimensions



Clearance Distances



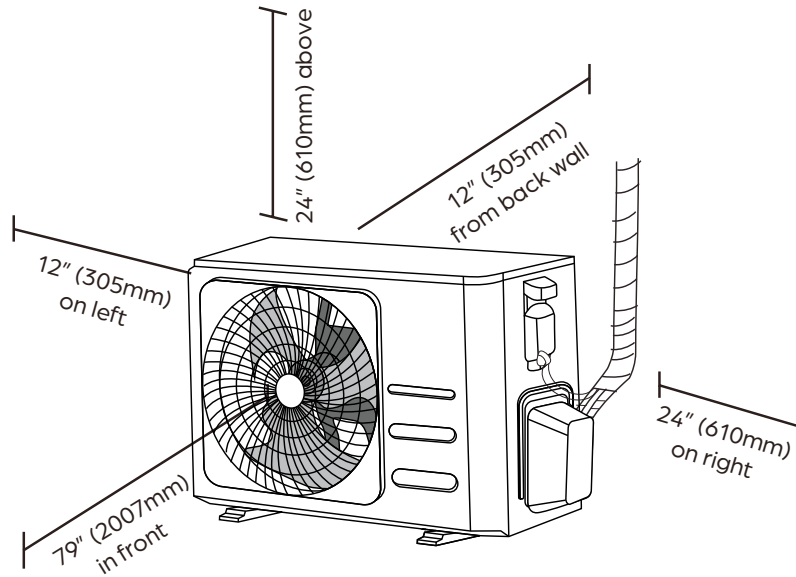


SIRIUS HEAT™

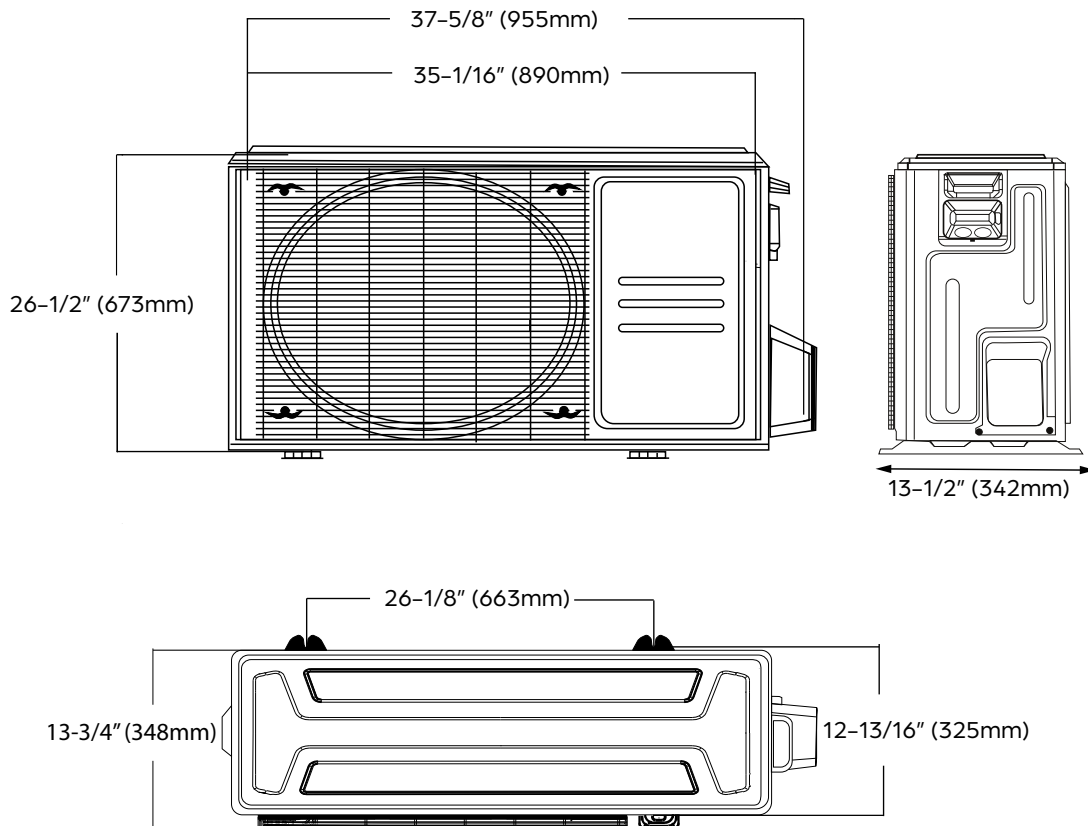
18,000 BTU/H SIRIUS HEAT WALL MOUNTED HEAT PUMP

ODU DIMENSIONS - DRA1H18S1A

Clearances



Dimensions



NOTE

- Illustrations in this document are for explanatory purposes. The actual shape of your mini-split equipment may vary slightly.

Specifications are subject to change without notice.

© 2023 Ferguson Enterprises LLC

www.durastar.com