



# 24,000 BTU/H CEILING CASSETTE

SUBMITTAL COVER SHEET

PROJECT NAME \_\_\_\_\_

LOCATION \_\_\_\_\_

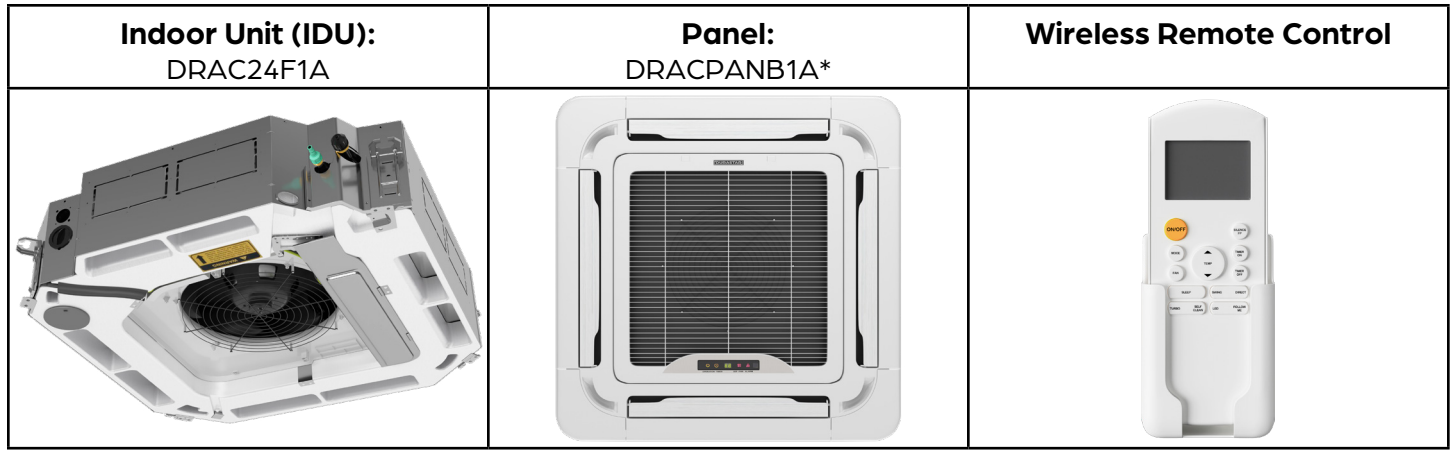
ARCHITECT \_\_\_\_\_

ENGINEER \_\_\_\_\_

CONTRACTOR \_\_\_\_\_

REFERENCE \_\_\_\_\_

SUBMITTED BY \_\_\_\_\_ DATE \_\_\_\_\_



CAPACITIES		
Cooling Capacity (BTU/hr)	Rated	24000
Heating Capacity (BTU/hr)	Rated	24400

ELECTRICAL DATA	
Voltage/Phase/Frequency	208-230V, 1 Phase, 60 Hz

LINE SET REQUIREMENTS	
Connection Type	Flare
Liquid	Ø3/8" (Ø9.52mm)
Gas	Ø5/8" (Ø16mm)
Drain Port O.D. / Drain Hose I.D.	Ø1" (Ø25mm)

INDOOR UNIT FAN DATA		
Air Flow (CFM)	Low	625
	Medium	761
	High	878
Type	DC	
RLA	2.0	
Sound Pressure (dB(A))	Low	43
	Medium	47
	High	51

INDOOR UNIT DIMENSIONS		
Unit Dimensions	Width	33 1/16"
	Depth	33 1/16"
	Height	8 1/16"
Carton Dimensions	Width	35 7/16"
	Depth	35 7/16"
	Height	8 7/8"
Net Weight	46.3 lbs.	
Gross Weight	54.2 lbs.	

- PRODUCT FEATURES**
- Wireless Remote Control with "Follow Me" Technology
  - Auto Restart
  - Auto Changeover
  - 24-hour Timer
  - Self Clean Function

\*Panel sold separately

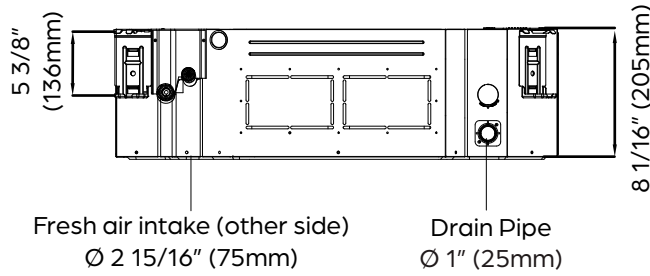
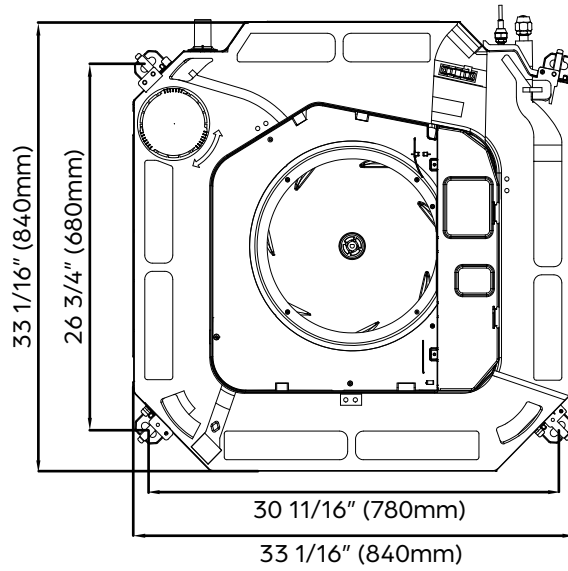
Specifications are subject to change without notice.  
 © 2021 Ferguson Enterprises LLC  
 www.durastar.com





# 24,000 BTU/H CEILING CASSETTE

DIMENSIONS - DRAC24F1A



## DRACPANB1A:

